

MAGNETIC OIL LEVEL INDICATOR FOR POWER TRANSFORMER NFG SERIES

(Normal Front Gauge Mounting Series 2009)





1.0 Features

The magnetic oil level indicators type NFG has been specially studied for use on power transformer to give an analogical indication of the oil level inside the conservator by a graduated dial with arrow plus one or more electric signal (max 4 signals) when the oil inside the conservator reaches the max or min level.

2.0 Construction features

Materials and components

The body of the gauge is made in one piece of solid compact aluminium alloy casting oil tightened proof.

The indicating system is located inside the body and is composed by a yellow arrow, a graduated scale, one or more contacts activated by cams and a permanent magnet.

The monitoring system is located behind the fixing flange (it is fully inside the conservator, this in order to minimize the external protrusion of the gauge itself from the conservator tank) and is composed by a permanent magnet, rigidly connected (or by means of a bevel gear for form Y) to a float arm which follows the movement of the surface of the oil.

The two systems are connected by a magnetic joint through the magnetic flux of the permanent magnets.

The electric signal coming from the contacts are carried out through a waterproof terminal box (IP55) with a M25x1.5 threaded entry (see page NFG5).

Upon request we can supply adaptors M25x1.5 to M20x1.5 or to PG16.

Also upon request we can supply cable glands M25x1.5 or M20x1.5 or PG16.

Oil-tightness and resistance to pressure

The magnetic oil level indicators NFG are leak tested (routine test) and are mechanically resistant to vacuum (10 torr).

Resistance to dynamical stress

The magnetic oil level indicators NFG can operate without undue operation in following conditions:

Sinus vibrations with frequency ≤ 120 Hz and amplitude ≤ 250 μm ;

Dynamical conditions causing following accelerations:

- Max 3g in all directions, sinus vibration, amplitude ≤ 20 mm;
- Shock condition with max 10 g in all directions.

Surface protection

Body, frame, terminal box and his cover are painted internally and externally with one primer coat of epoxy paint and externally with a finishing coat of polyurethane paint colour RAL 7030. The primer coat on the internal surfaces is compatible with transformer mineral oil up to temperatures of 120°C. Total thickness of two coats is 80 microns; upon request we can supply gauges with special painting for transformers located in very polluted areas.

3.0 Manufacturing program

Magnetic oil level indicator series NFG is manufactured in 3 sizes with 2 different styles:

- Size 1: flange OD 140mm; Dial ND 100mm (4 inches);
- Size 2: flange OD 220mm; Dial ND 150mm (6 inches);
- Size 3: flange OD 345mm; Dial ND 250mm (10 inches);
- Style Y: axial float arm suitable for use on traditional breathing conservator and on hermetic conservator with rubber bag
- Style R: radial float arm suitable for use on traditional breathing conservator.

All execution are fitted with 1 or more electric contacts, microswitch type, that are activated when the oil (and consequently the arrow of the instrument) reaches the presetted positions (see available wiring diagram).

The indicating arrow in type "R" moves over a 140° angle, the float arm moves over an angle of 140°.

The indicating arrow in type "Y" moves over a 140° angle, the float arm moves over an angle of 60°.

The gauge type "Y" has a special design that allow the mounting of the same gauge either in the centre of the conservator end, or the bottom of the conservator end, or inclined below the conservator, just fixing the float arm in a specific way without any special adjustment (see sketch page NFG6)

The standard Indicating dial has 10 divisions with yellow figures other dials are available (see page NFG6).



4.0 Operation, installation and maintenance

Operation

The float arm detects an increase (due to heating) or a decrease (due to an oil loss) of oil inside the conservator, giving a visible indication (analogical type) through the arrow and when the oil reaches the preset value for alarm and/or trip a microswitch is activated and an electric signal is provided inside the terminal box.

Installation

Use one magnetic oil level indicator for the conservator of the main tank and one for OLTC conservator (if present); the oil level indicator can be fixed to the conservator using studs & nuts (type B) or screws (type V) M6 (6 pcs) or M10 (8 pcs) with washer and spring washer (see the page NFG5).

Adjusting float arm length

NFG form Y are supplied with adjustable float arm length; this in order to have an optimal calibration of the instrument. Adjustment is very easy: you need only to unloose screw A (please refer to page NFG5), adjust float arm to desired length and close screw A again.

Maintenance

Magnetic oil level gauges NFG don't need specific maintenance; we suggest to check regularly contacts during the normal maintenance of the transformer.

5.0 Electric contacts

The contacts are microswitches changeover type and are mechanically operated by a cam.

Following main characteristic of micro switches:

Lever	Stainless steel
Body and pushbutton	Thermosetting composition
Contact material	Silver
Mechanical endurance of contact	1×10^7 cycles
Temperature range	-40°C - +125°C
Standard interruption power AC	AC 250V-5A
Standard interruption power DC	see diagram at page NFG5
Insulation to earth at 20°C	2.000V
Protection degree of terminal box	IP 55

6.0 Wiring diagrams

Available wiring diagram are (see page NFG5):

- wiring diagram type C1 : gives a signal when oil reaches low level inside conservator
- wiring diagram type C2 : gives a signal when oil reaches low or max level inside conservator
- wiring diagram type D1 : gives an alarm signal when oil reaches low level and trip signal for very low level inside conservator
- wiring diagram type D2 : gives a double signal when oil reaches low level inside conservator
- wiring diagram type D4 : gives a double signal when oil reaches low or max level inside conservator

All contacts are operated 3/5 degrees before the arrow reaches the minimum or the maximum level of oil.

7.0 Compatibility of installation

The installation compatibility of the magnetic oil level indicator depend mainly on the climatic conditions related to ambient temperature and oil temperature (that influence choice of the material used for the flange gasket) and on environmental conditions (that influence choice of the material used for front dial and fittings) ; therefore the executions differ because of the different materials used for gaskets; front dial and fittings.

Execution related to climatic conditions:

N – O/RING made in HNBR (hydrogenated nitrile rubber)

This is standard execution on sizes 1 & 2

Admitted operating conditions are:

Environmental conditions:

Ambient temperature: -40°C to +55°C

Relative humidity: 95% to 20°C - 80% to 40°C - 50% to 50°C

Insulating liquid (transformer mineral oil):

Temperature: - 40°C to + 140°C

C – NBC Cork gasket (flat flange gasket with 6 or 8 holes instead of O-Ring gasket)

This is standard execution on size 3 and on demand on sizes 1 & 2

Admitted operating conditions are:

Environmental conditions:

Ambient temperature: -20°C to +50°C

Relative humidity: 95% to 20°C - 80% to 40°C - 50% to 50°C

Insulating liquid (transformer mineral or silicon oil):

Temperature: - 20°C to + 110°C

G – LT Cork gasket (flat flange gasket with 6 or 8 holes instead of O-Ring gasket)

This execution is on demand on all sizes for low temperature applications

Admitted operating conditions are:

Environmental conditions:

Ambient temperature: -55°C to +50°C

Relative humidity: 95% to 20°C - 80% to 40°C - 50% to 50°C

Insulating liquid (transformer mineral or silicon oil):

Temperature: - 55°C to + 160°C

Execution related to environmental conditions:

0 – For normal and tropical conditions

Front dial made in P.M.M.A.; fittings made in brass nickel plated and s/steel AISI 304

7 – For desert conditions and / or moderated corrosive conditions

Front dial made in tempered glass; fittings made in brass nickel plated and s/steel AISI 304

8 – For extremely corrosive conditions

Front dial made in tempered glass; fittings made in brass nickel plated and s/steel AISI 316

Special executions

For other environmental and/or operating conditions to be examined individually.

8.0 Ordering Instructions

When ordering must be defined following data (see order form at page 10 of catalogue):

- Style of magnetic oil level indicator : R or Y
- Size 1 (flange OD 140 mm); 2 (flange OD 220 mm); or 3 (flange OD 345 mm)
- Mounting sketch (for R style always A);
- Wiring diagram: C1; C2; D1; D2; D4;
- Climatic conditions (type of gasket: N; C; G or special);
- Environmental conditions (0; 7; 8 or special);
- Type of dial : 0; 1; 5; or special;
- Special requirement i.e. Cable Entry.

Example : to order 5 magnetic oil level indicator type NFG form Y, OD 220mm, mounting on traditional conservator, 2 contacts SPDT at min and max level, with HNBR gaskets, normal environmental conditions and dial marking Min, -20, 20, 85, Max, write:

- Nr. 5 Magnetic oil level indicator NFG Y2AC2N00.

9.0 Marking on data plate

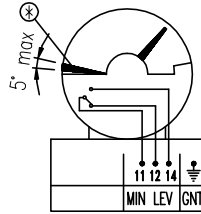
All our magnetic oil level indicator have a data plate with S/N and model of the instrument

Example : on above oil level gauge type NFG form Y, OD 220mm, mounting on traditional conservator, 2 contacts SPDT at min and max level, with HNBR gaskets, normal environmental conditions and dial marking Min, -20, 20, 85, Max, will have the following marking engraved on field Type: Y2AC2N00.

WIRING DIAGRAM

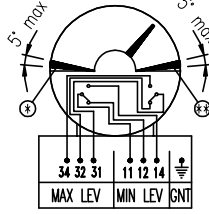
WIRING DIAGRAM C1 - (MIN CONTACT)

Only min contact
*) Min contact operates in this area



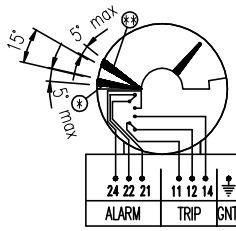
WIRING DIAGRAM C2 - (MIN & MAX CONTACT)

Min & max contact
*) Min contact operates in this area
**) Max contact operates in this area



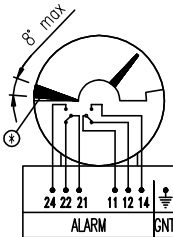
WIRING DIAGRAM D1 - TWO MIN (ALARM & TRIP CONTACT)

Alarm contact low level
Trip contact very low level
*) Trip contact operates in this area
**) Alarm contact operates in this area



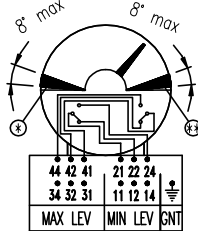
WIRING DIAGRAM D2 - (DOUBLE MIN CONTACT)

Double contact at min level
*) Both contacts operate in this area

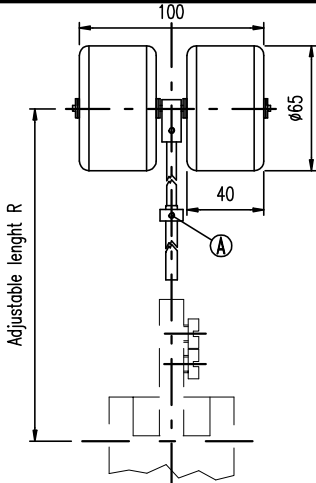


WIRING DIAGRAM D4 - (DOUBLE MIN + MAX CONTACT)

Double contact at min and max level
*) Both Min contacts operate in this area
**) Both Max contacts operate in this area



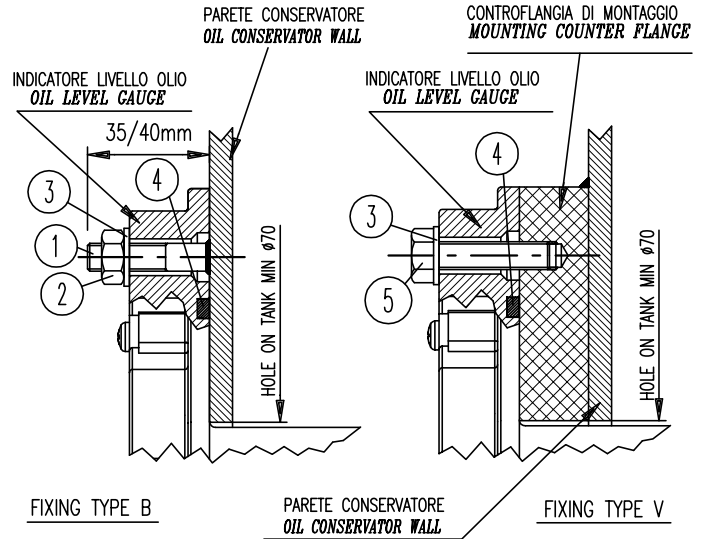
ADJUSTABLE FLOAT ARM (ROLLING FLOATS)



FOR "Y" STYLE SKETCH B, C, H & K

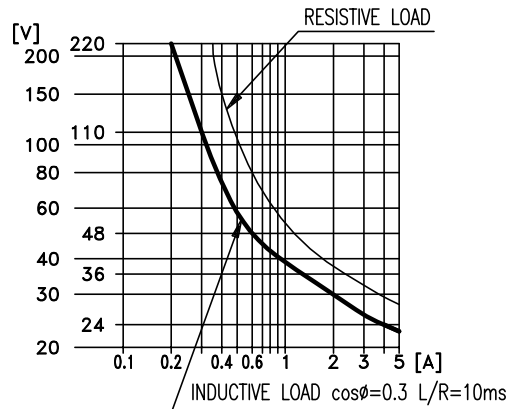
FIXING SKETCHS

NFG 5

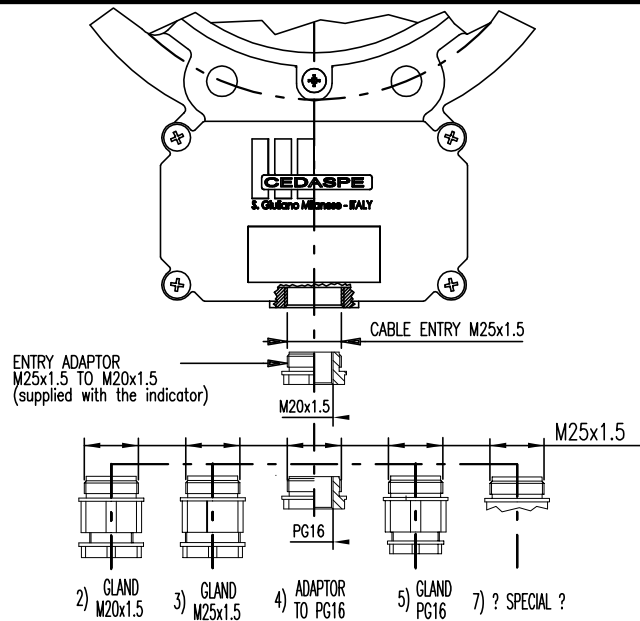


POS.	NFG1	NFG2	NFG3
5	SCREW M6	SCREW M10	SCREW M12
4	O-RING GASKET	O-RING GASKET	FLANGE GASKET
3	WASHER M6	WASHER M10	WASHER M12
2	NUT M6	NUT M10	NUT M12
1	STUD M6	STUD M10	STUD M12

CONTACT BREAKING CAPACITY DC

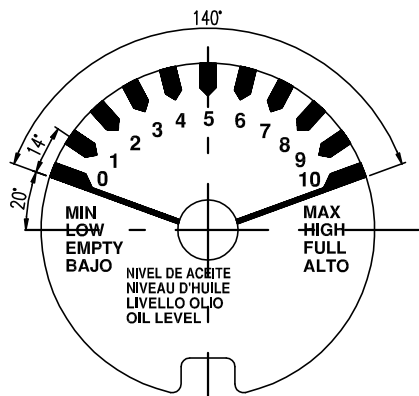


OPTIONS FOR CABLE ENTRIES M25x1.5

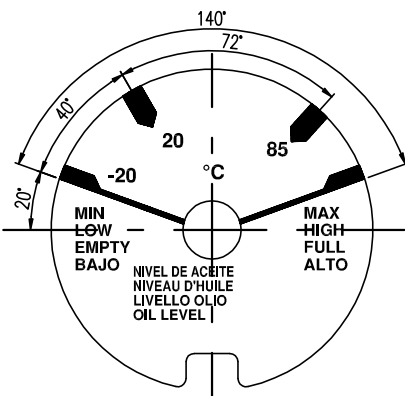


STANDARD DIALS

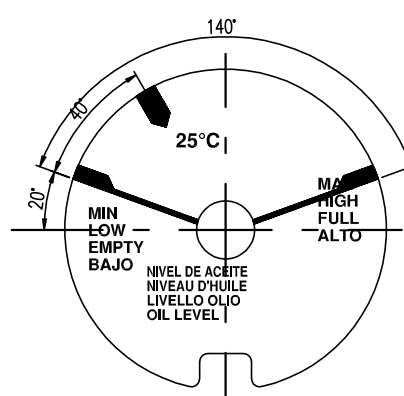
NFG 6



TYPE "1"

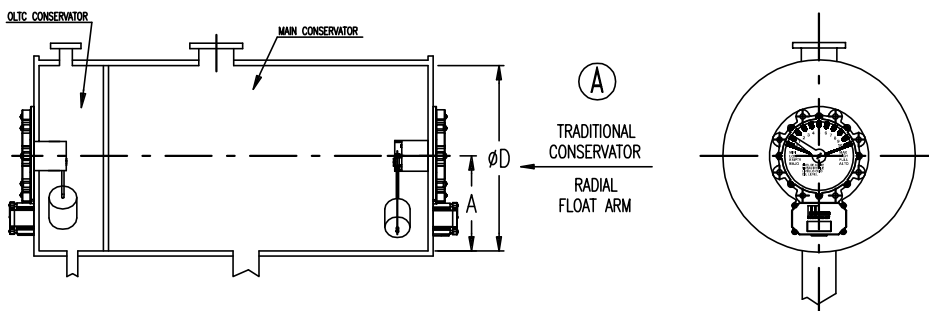


TYPE "0"

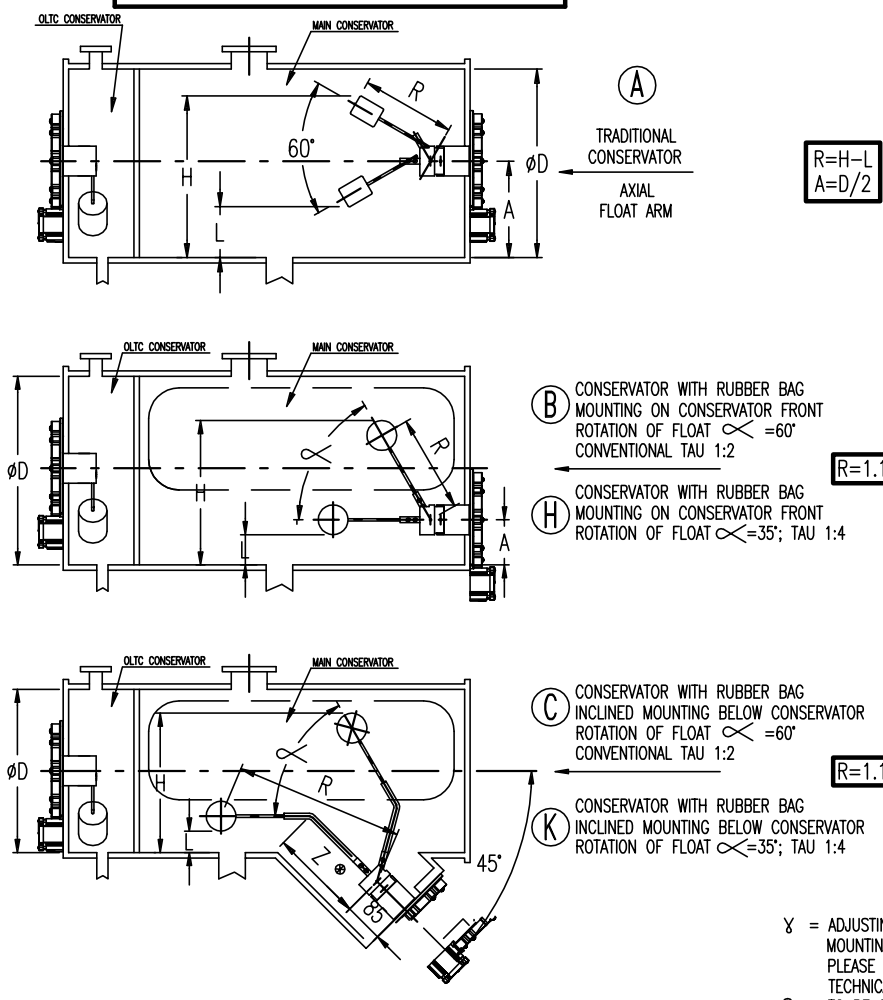
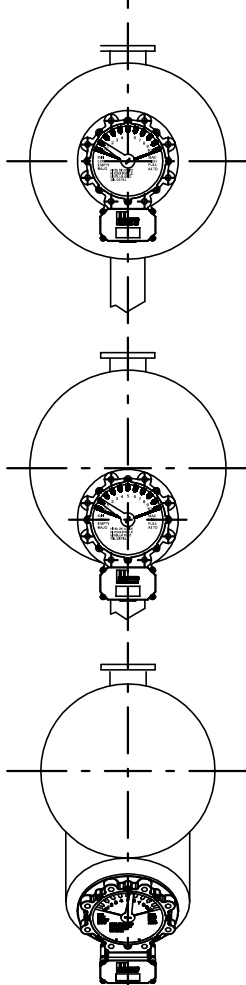


TYPE "5"

MOUNTING SKETCH NFG-R



MOUNTING SKETCHES NFG-Y



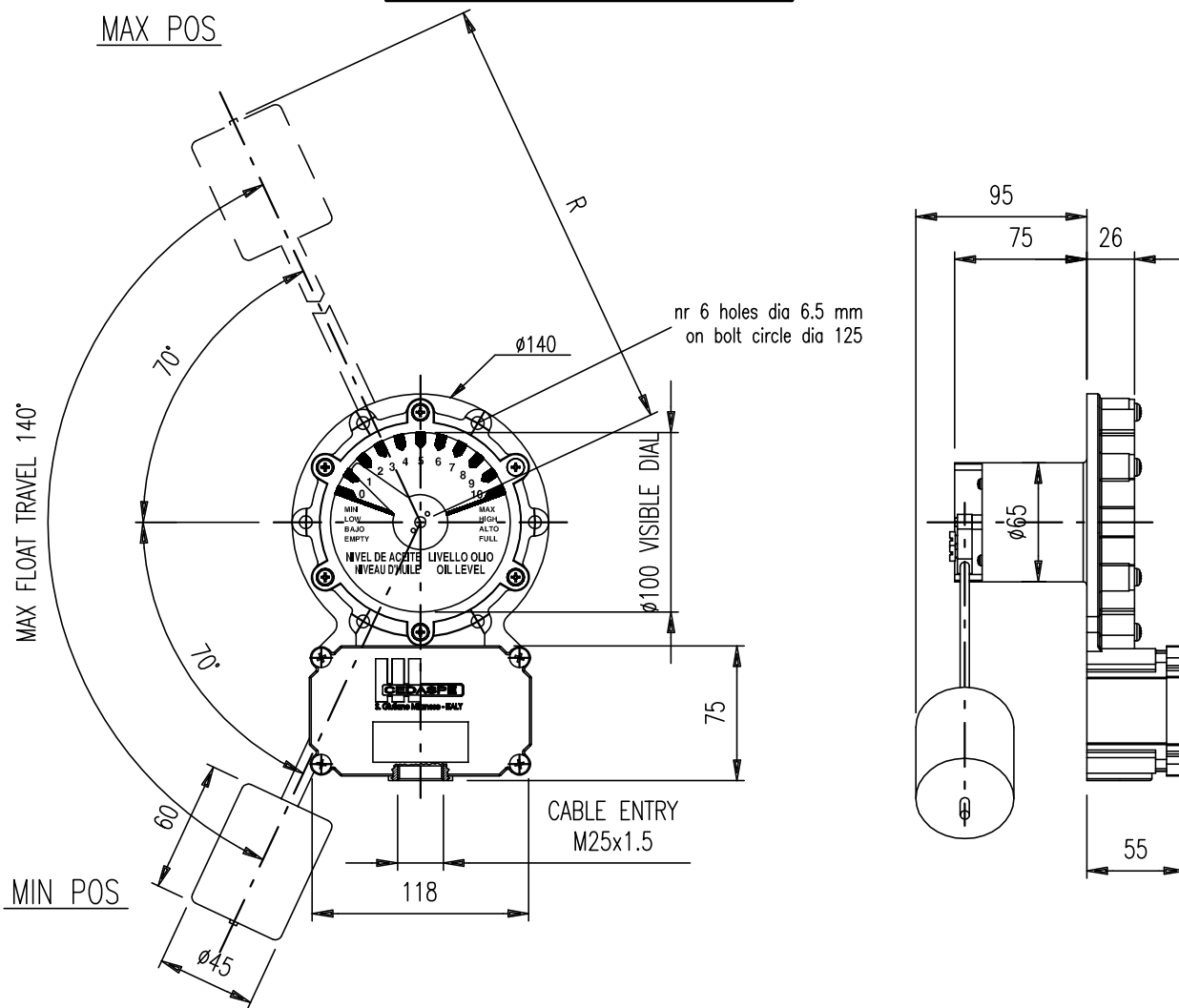
MAGNETIC OIL LEVEL INDICATOR "NFG"

CEDASPE

FILE = NFG 6 .DWG
 LMT [(0,0) (196,286)]
 A4 (210x297)
 REV. 00 DTD 27/06/06
 La CEDASPE S.p.A. si riserva a termini di legge la proprietà del presente disegno con divieto di riprodurlo o comunicarlo a terzi senza sua autorizzazione.

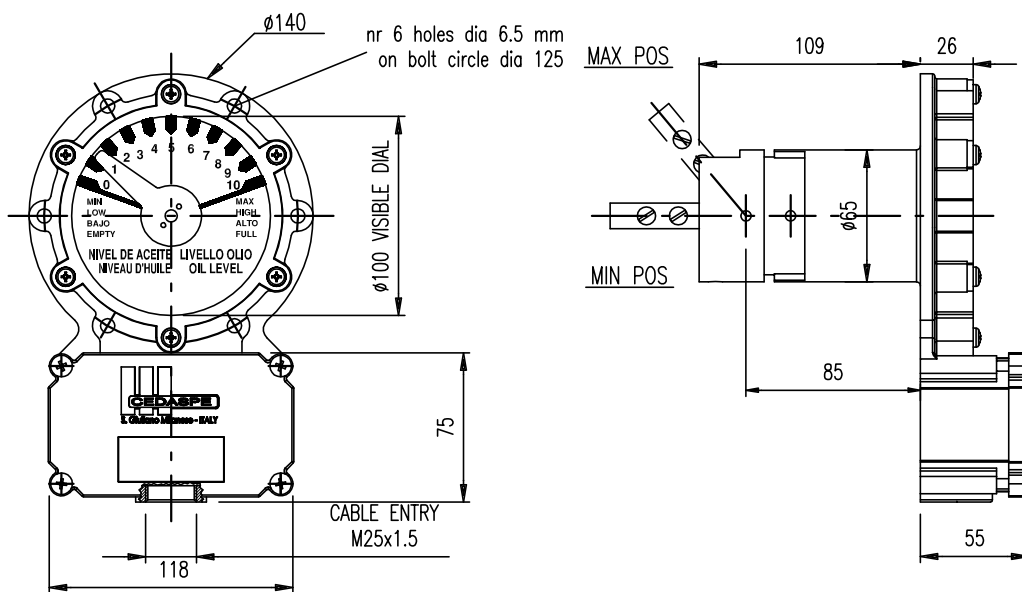
STYLE R

NFG 7



DIM. IN mm

STYLE Y



DIM. IN mm

MAGNETIC OIL LEVEL INDICATOR
NFG SIZE 1

CEDASPE

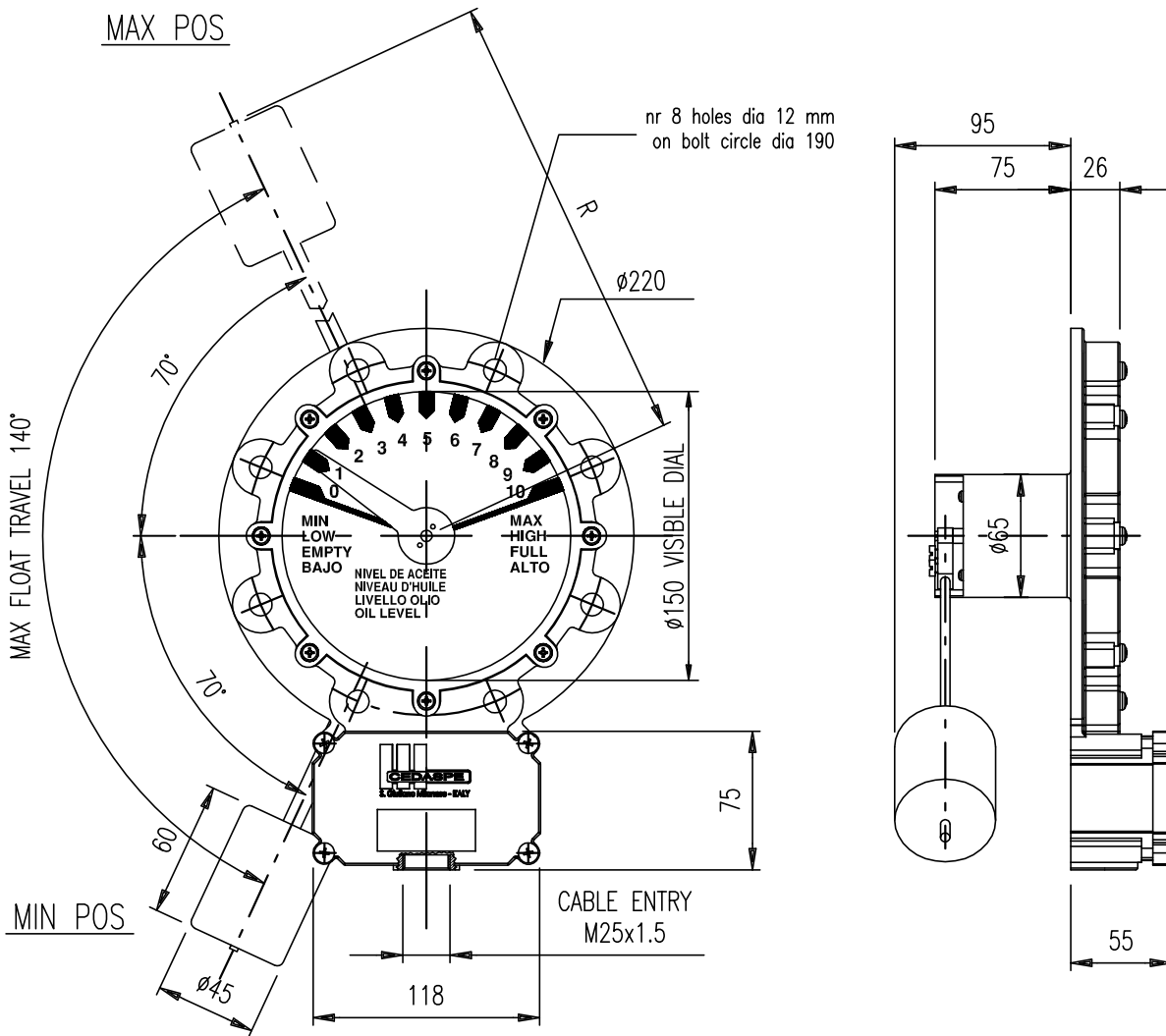
La CEDASPE S.p.A. si riserva a termini di legge la proprietà del presente disegno con divieto di riprodurlo o comunicarlo a terzi senza sua autorizzazione.

REV. 02 DTD 30/03/09

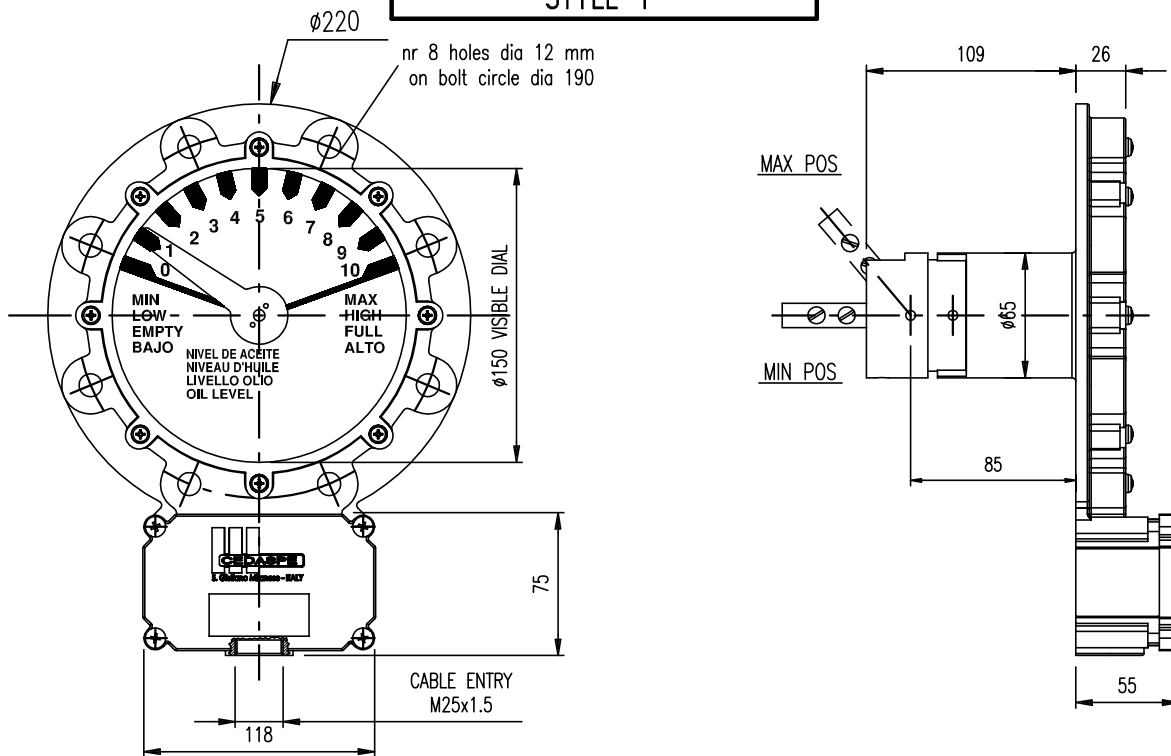
FILE = NFG 7 .DWG

LMT [(0,0) (196,286)]

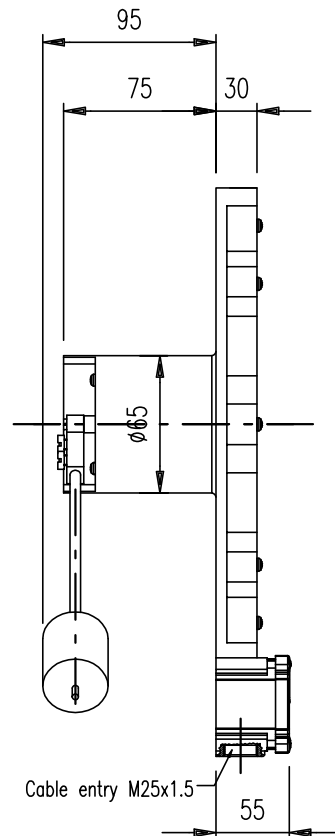
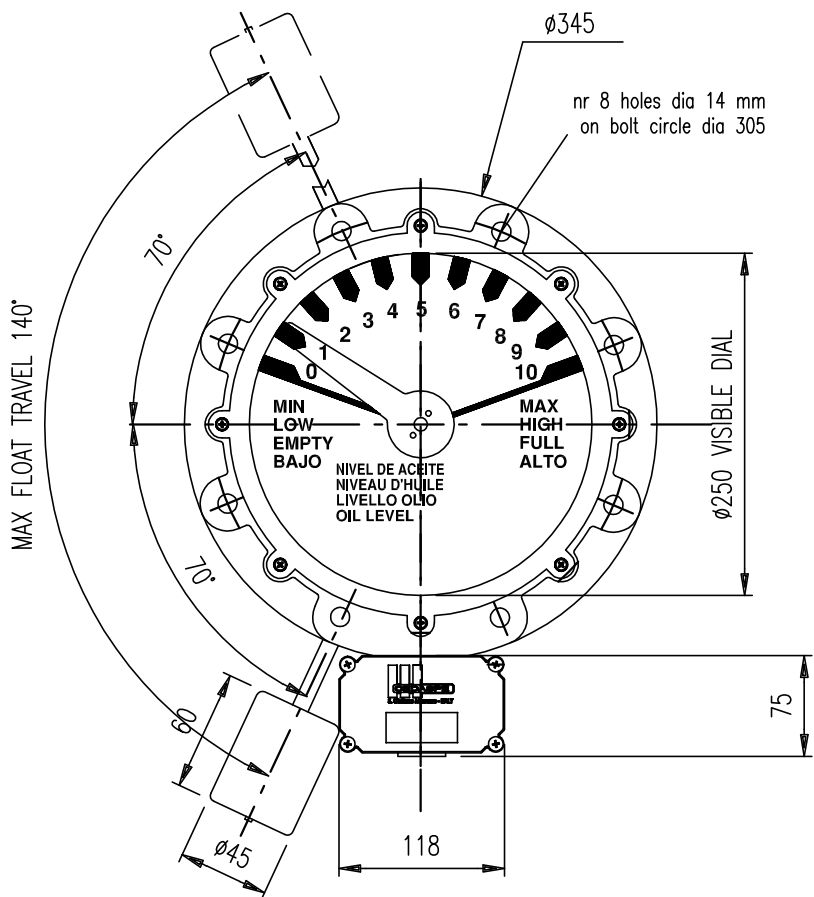
A4 (210x297)



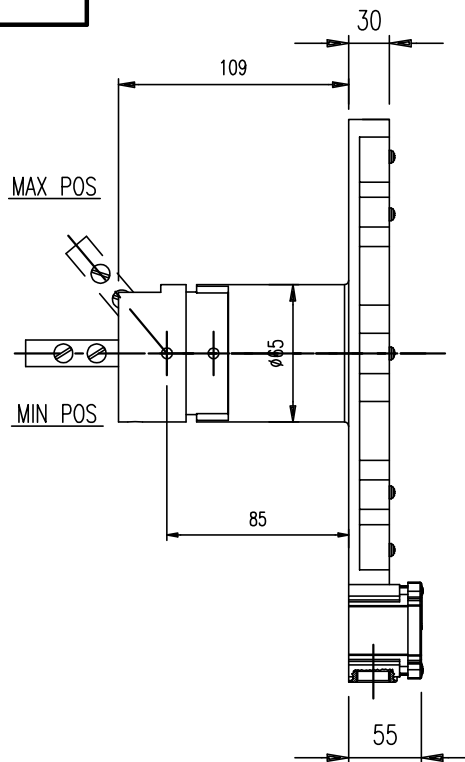
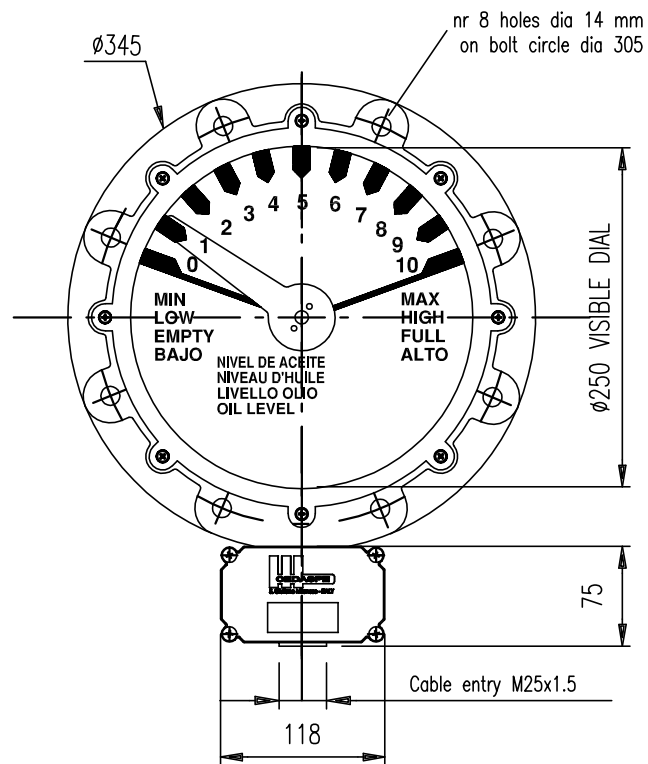
DIM. IN mm



DIM. IN mm



DIM. IN mm



DIM. IN mm

ORDER FORM

R Y								RADIAL	
								AXIAL	
	1							FLANGE DIA 140 MM	
	2							FLANGE DIA 220 MM	
	3							FLANGE DIA 345 MM	
								A	
								B	
								H	
								C	
								K	
							C1	1 MIN CONTACT	
							C2	1 MIN + 1 MAX CONTACTS	
							D1	2 MIN CONTACTS, ALARM + TRIP	
							D2	2 MIN CONTACTS SIMULTANEOUS	
							D4	2MIN + 2MAX CONTACTS SIMULTANEOUS	
							N	HNBR GASKETS (AMBIENT TEMPERATURE -40/55 °C)	
							C	NBC CORK GASKETS (AMBIENT TEMPERATURE -20/50°C)	
							G	LT CORK GASKETS (AMBIENT TEMPERATURE -55/50°C)	
							S	SPECIAL GASKETS	
							0	STANDARD & TROPICAL (DIAL MADE IN P.M.A. AND SCREWS MADE IN AISI 304)	
							7	DESERT AND / OR MODERATED CORROSIVE (DIAL MADE IN TEMPERED GLASS AND SCREWS MADE IN AISI 304)	
							8	EXTREMELY CORROSIVE (DIAL MADE IN TEMPERED GLASS AND SCREWS MADE IN AISI 316)	
							9	SPECIAL	
							0	MIN/-20°C/20°C/85°C/MAX	
							1	MIN/1;2;...8;9;10/MAX	
							5	MIN / 25°C/ MAX	
							9	SPECIAL	
AN								LEGENDA	
AN	R	1	A	C	1	N	0	0	EXAMPLE
	STYLE	SIZE	MOUNTING SKETCH	WIRING DIAGRAM	CLIMATIC CONDITIONS	ENVIRONMENTAL CONDITIONS	DIAL MARKING		
MARKING ON DATA PLATE									
CEDASPE CODE									

NOTE ON CABLE ENTRY :
 OIL LEVEL INDICATOR IS SUPPLIED WITH CABLE ENTRY M25X1.5 AND ADAPTOR TO M20x1,5.
 DIFFERENT CABLE ENTRIES AND CABLE GLAND ARE AVAILAIBLE ON DEMAND (SEE PAGE 5 OF CATALOGUE)

SPECIAL REQUIREMENTS / NOTE / OPTIONALS
