



T8 LED Glass Tubes



LED glass tube offers a truly flexible solution for T8 fluorescent lamp replacement with added benefits. This new light source emits natural light colors and consumes low energy. When compared to a 36W T8 fluorescent lamp with magnetic ballast, there is potentially more than 50% energy savings. The product long lifetime and good lumen maintenance also minimize the hassle of maintenance

Generally, LED T8 can be used in applications such as warehouse, offices, car parks, residential spaces, corridors etc.

Technical Data

Product Code	Color	Color temp.(K.)	CRI	Lum. Flux (Lumen)	Supply Voltage (V)	Power	Angle(°)
LC-SXT090AUU-DL	Daylight	6500	≥80	900	100-277 V	9	230
LC-SXT090AUU-WW	Warmwhite	3000	≥80	900	100-277 V	9	230
LC-SXT120AUU-DL	Daylight	6500	≥80	1100	100-277 V	12	230
LC-SXT120AUU-WW	Warmwhite	3000	≥80	1100	100-277 V	12	230
LC-SXT180AUU-DL	Daylight	6500	≥80	1800	100-277 V	18	230
LC-SXT180AUU-WW	Warmwhite	3000	≥80	1800	100-277 V	18	230
LC-SXT220AUU-DL	Daylight	6500	≥80	2000	100-277 V	22	230
LC-SXT220AUU-WW	Warmwhite	3000	≥80	2000	100-277 V	22	230

All data listed above are related to the general lamp specifications. Due the special conditions of the manufacturing processes for LED the typical data of technical parameters can only reflect statistical figures and do not necessarily correspond to the actual parameters of each single product which could differ from the typical data

Technical Features

- > Linear LED lamp in T8 shape with G13 socket
- > Suitable for operation with magnetic ballast or connected to power supply directly
- > Glass tube
- > Complete electronic driver inside
- > Ambient temperature Ta -10° 45°C
- > Mounting : G13
- > Power Factor > 0.9
- > Up to 30,000 hours lifetime
- > RoHS-conformity, no mercury
- > No UV
- > Short circuit protection
- > Total Harmonic Current Distortion: THDi ≤12%

For further information please contact :

Southeast Thailand Company Limited
390/6-8 Sukhumvit Road, Klongtoey, Klongtoey, Bangkok, Thailand 10110

Website : www.southeastthailand.co.th Email : info@southeastthailand.co.th
Tel : +66 258 0210-5 Fax : +66 258 1919



Drawing

	TB003-600	TB003-1200
Shape		
Size	Φ26*600	Φ26*1200
Base	G13	G13
Weight	150g±10%	290g±10%
Color	White	White
Structure	Glass+PC	Glass+PC

Electrical Requirement

	TB003-600-9W	TB003-600-12W
Supply Volatge	AC 100-277V	AC 100-277V
Supply Current	130mA±3%	173mA±3%
Power	9W±10%	12W±10%
Dimmable	No	No
	TB003-1200-18W	TB003-1200-22W
Supply Volatge	AC 100-277V	AC 100-277V
Supply Current	256mA±3%	315mA±3%
Power	18W±10%	22W±10%
Dimmable	No	No

Safe requirement

Radiated Emmision	EN55015	Cap interchangability	EN62276
Conducted Emmision	EN55015	Mass	EN62276
Radiated Sustainability	EN61547	Dimension	EN62276
Conducted Disturbance	EN61547	Temperature	EN62276
ESD	EN61547	Insulation resistance	EN62276
EFT/Burst	EN61547	Electric strength	EN62276
Surge Transients	EN61547	Ball pressure test	EN62276
EMF	EN62493	Glow-wire test	EN62276
Harmonic Currents	IEC61000-3-2	Torque test	EN62276

For further information please contact :

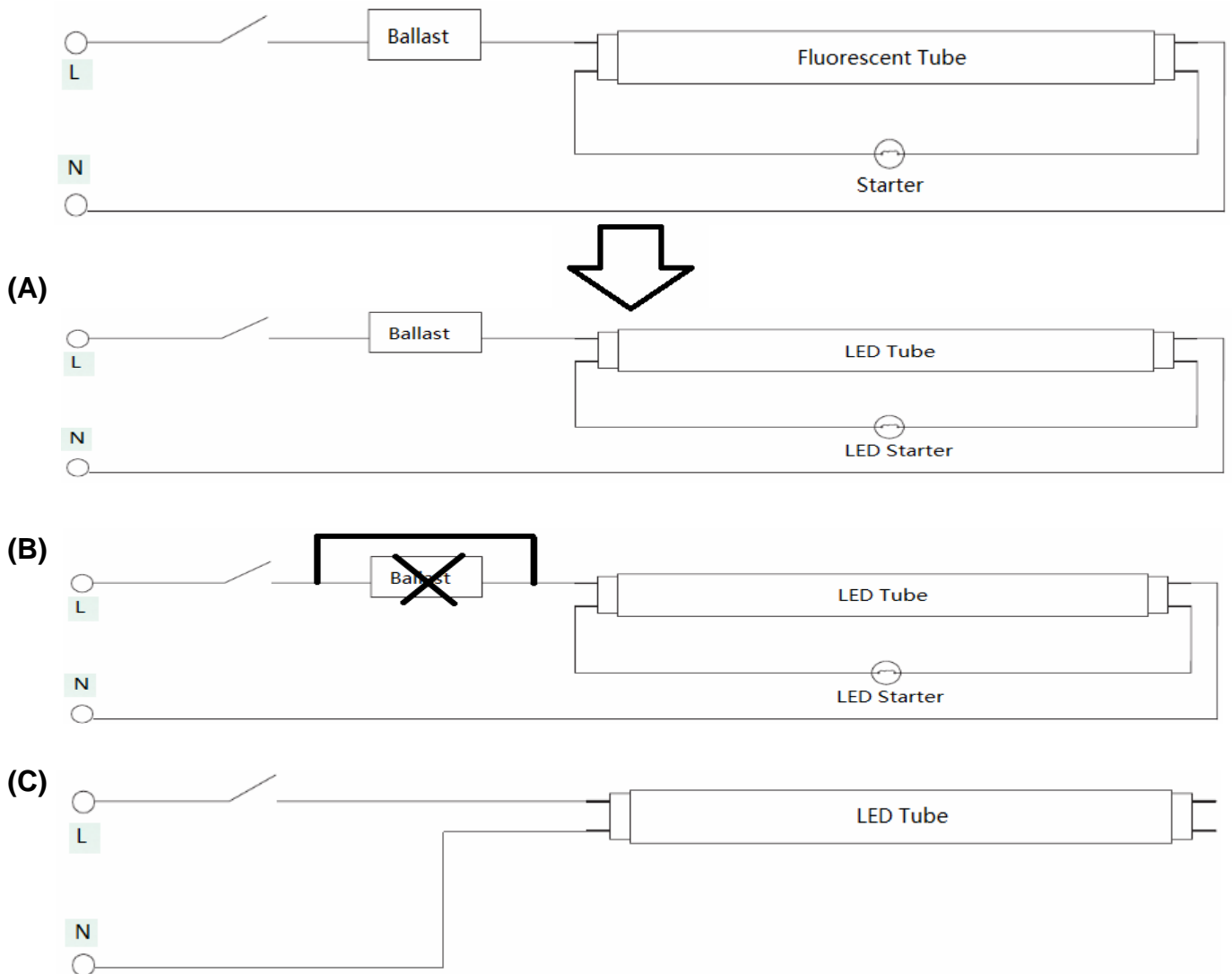
Southeast Thailand Company Limited
390/6-8 Sukhumvit Road, Klongtoey, Klongtoey, Bangkok, Thailand 10110

Website : www.southeastthailand.co.th Email : info@southeastthailand.co.th
Tel : +66 258 0210-5 Fax : +66 258 1919



Wiring Circuit

1. เมื่อเปลี่ยนจากหลอดฟลูออเรสเซนต์ T8 ที่ใช้บัลลาสต์แกนเหล็กเป็น LED T8



For further information please contact :

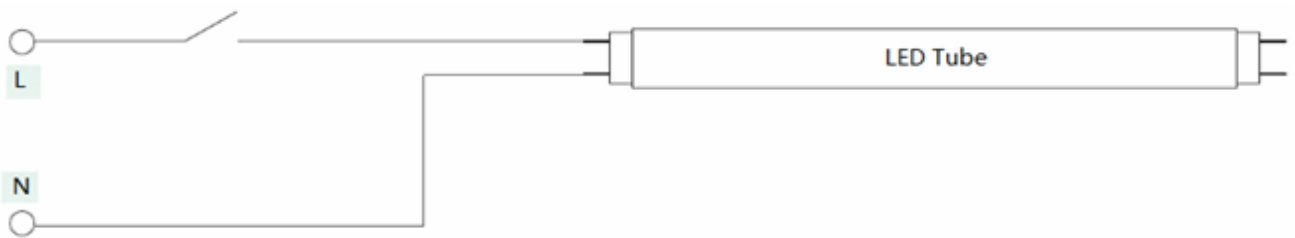
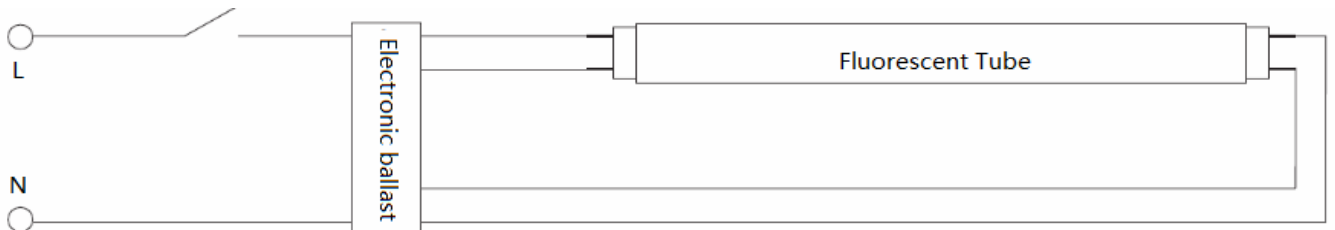
Southeast Thailand Company Limited
390/6-8 Sukhumvit Road, Klongtoey, Klongtoey, Bangkok, Thailand 10110

Website : www.southeastthailand.co.th Email : info@southeastthailand.co.th
Tel : +66 258 0210-5 Fax : +66 258 1919



Wiring Circuit

2. เมื่อเปลี่ยนจากหลอดฟลูออเรสเซนต์ T8 ที่ใช้บัลลาสต์อิเล็กทรอนิกส์เป็น LED T8



For further information please contact :

Southeast Thailand Company Limited
390/6-8 Sukhumvit Road, Klongtoey, Klongtoey, Bangkok, Thailand 10110

Website : www.southeastthailand.co.th Email : info@southeastthailand.co.th
Tel : +66 258 0210-5 Fax : +66 258 1919