



INFORMATION ON BUSHINGS 10-20-30-52/1000-2000-3150

FROM PAGE 3.3 TO 3.7

All this range of bushings is normally supplied in accordance to the customer's own specifications, specially for the oil side connection design; our fig. T1, B1 and A1 show the most common executions; without any contrary specification of the customer, the bushing is supplied as fig C1 (exactly according to DIN standards).

For the air side connection, normally the bushing is fitted with flags EP/FP DIN 43675 (or UNEL 38137-67 for the italian market or UNE 20-176-89 for the spanish market).

A/horns are supplied, only upon request, in two executions shown at page 3.7.

COMPONENT LIST FOR BUSHINGS:

10-20-30-52/1000-2000-3150

10-20-30/4500

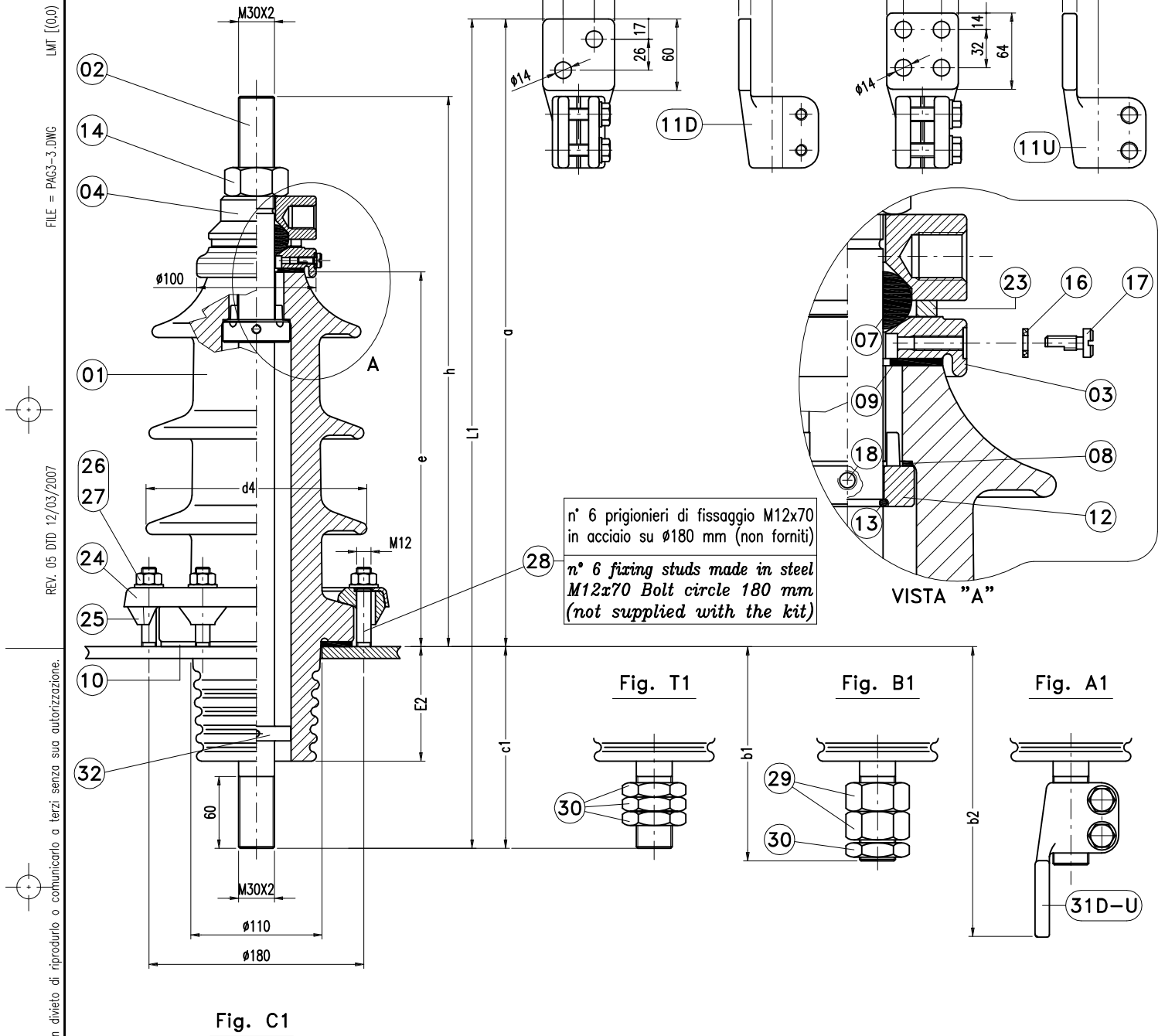
- Pos. 1 Porcelain
- Pos. 2 Brass bolt "D" (usually DIN execution, on request execution "EL").
- Pos. 3 Brass cap "E"
- Pos. 4 Brass top washer "F"
- Pos. 7 NBR ring gasket "J"
- Pos. 8 Gasket "O"
- Pos. 9 NBR gasket "M"
- Pos. 10 NBR flange gasket "N"
- Pos. 11D Flag EP / FP DIN 43675
- Pos. 11U Flag UNEL style
- Pos. 12 Brass ring "P"
- Pos. 13 Copper ring "S"
- Pos. 14 Brass nut DIN 934
- Pos. 16 Fiber gasket
- Pos. 17 Vent / screw "R"
- Pos. 18 Locking screw
- Pos. 23 Bronze contact ring "U"
- Pos. 24 Aluminium fixing ring "C-D" DIN 42538
- Pos. 25 Aluminium clamping piece "F" DIN 42538
- Pos. 26 Mild steel zinkplated chromium passivated M12 DIN 934
- Pos. 27 Mild steel washer dia. 13 mm

- Pos. 28 Fixing stud M12x70 (not supplied)

- Pos. 29 Brass nut DIN 934
- Pos. 30 Brass locknut DIN 936
- Pos. 31D Flag EP / FP DIN 43675
- Pos. 31U Flag UNEL style
- Pos. 32 Center ring
- Pos. 39 Copper spacer ring

Esec. DIN

Esec. UNEL



Isolatore Bushing	Tensione Voltage KV	Corrente Current A	Linea di fuga Creepage distance	a mm	b1 mm	b2 mm	c1 mm	d4 mm	e mm	E2 mm	h mm	L1 mm	N°ALETTE N°of sheds Z	Massa Kg	Volume Volume dm ³
10F/1000	12	1000	290	455	181	226	158	170	239	86	387	613	2	15	55
20F/1000	24	1000	440	530	191	236	168	185	314	96	462	698	3	18	60
30F/1000	36	1000	640	635	216	266	198	200	419	121	567	833	4	22	80

LA FIGURA MOSTRA ISOLATORE 20/1000 IN SCALA 1:5

THE FIGURE SHOWS THE BUSHING 20/1000 (1:5 SCALE)

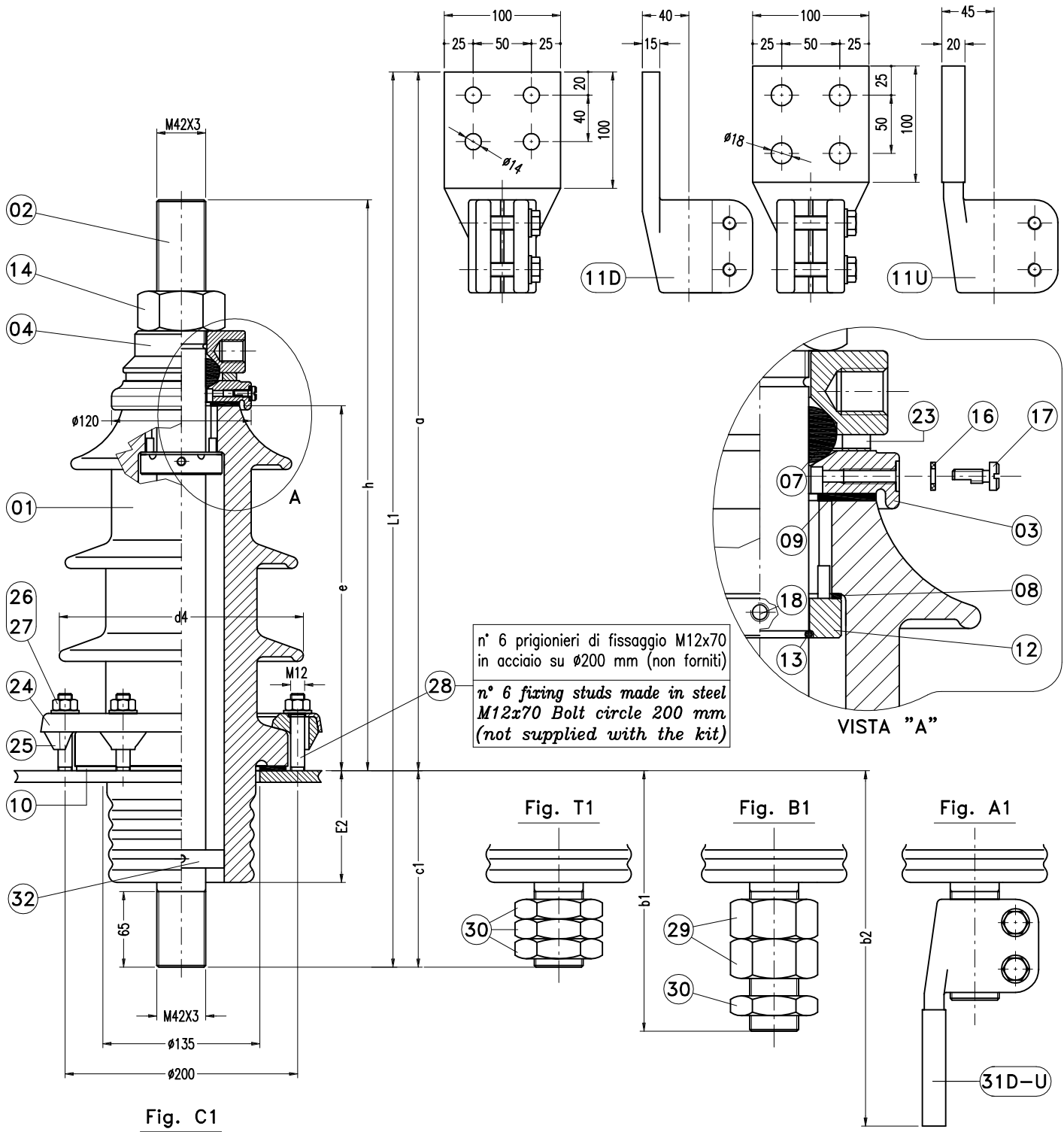
CEDASPE

ISOLATORI PASSANTI PER TRASFORMATORI DIN 42533 E UNEL 38174/74
CORRENTE NOMINALE 1000A
OUTDOOR TRANSFORMER BUSHING DIN 42533 AND UNEL 38174/74
RATED CURRENT 1000A

Esec. DIN

Esec. UNEL

LMT [(0,0) (196,286)] M4 (210x297)
 FILE = PAC3-4.DWG
 REV. 04 DTD 12/03/2007
 La CEDASPE S.p.A. si riserva a termini di legge la proprietà del presente disegno con divieto di riprodurlo o comunicarlo a terzi senza sua autorizzazione.



Isolatore Bushing	Tensione Voltage KV	Corrente Current A	Linea di fuga Creepage distance	a mm	b1 mm	b2 mm	c1 mm	d4 mm	e mm	E2 mm	h mm	L1 mm	N°ALETTE N° of sheds Z	Massa Kg	Volume Volume dm ³
10F/2000	12	2000	290	530	212	291	158	190	239	86	417	688	2	25	70
20F/2000	24	2000	440	605	222	301	168	210	314	96	492	773	3	29	80
30F/2000	36	2000	680	710	247	331	198	230	419	121	597	908	4	35	90

LA FIGURA MOSTRA ISOLATORE 20/2000 IN SCALA 1:5 THE FIGURE SHOWS THE BUSHING 20/2000 (1:5 SCALE)

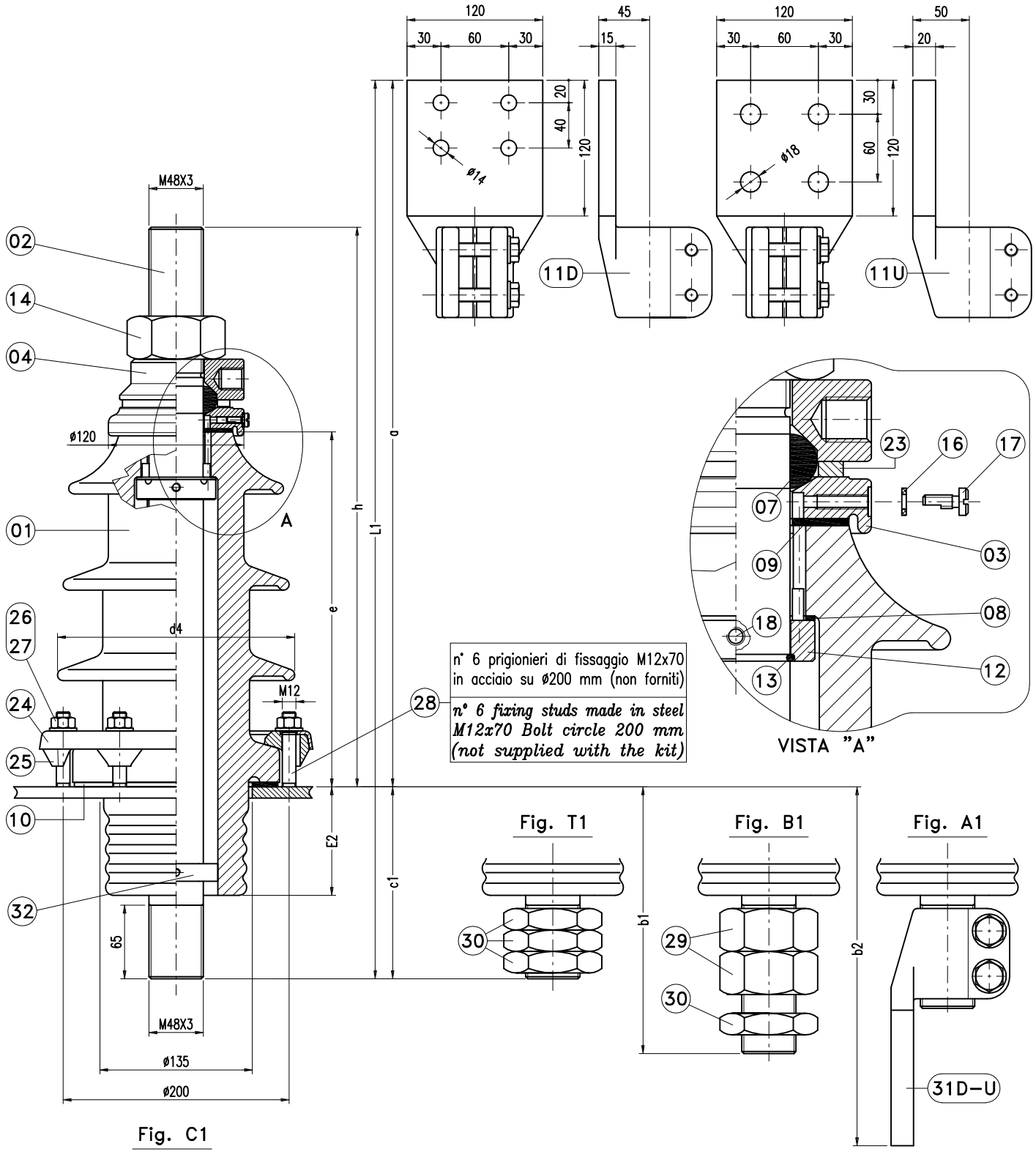


ISOLATORI PASSANTI PER TRASFORMATORI DIN 42533 E UNEL 38174/74
 CORRENTE NOMINALE 2000A
 OUTDOOR TRANSFORMER BUSHING DIN 42533 AND UNEL 38174/74
 RATED CURRENT 2000A

Esec. DIN

Esec. UNEL

REV. 04 DTD 20/03/2007
 FILE = PAC3-5.DWG
 LMT [(0,0) (196,286)]
 A4 (210x297)
 La CEDASPE S.p.A. si riserva a termini di legge la proprietà del presente disegno con divieto di riproduzione o comunicarlo a terzi senza sua autorizzazione.



n° 6 prigionieri di fissaggio M12x70
 in acciaio su ø200 mm (non forniti)
 n° 6 fixing studs made in steel
 M12x70 Bolt circle 200 mm
 (not supplied with the kit)

Isolatore Bushings	Tensione Voltage KV	Corrente Current A	Linea di fuga Creepage distance	a mm	b1 mm	b2 mm	c1 mm	d4 mm	e mm	E2 mm	h mm	L1 mm	N°ALETTE N° of sheds Z	Massa Kg	Volume Volume dm ³
10F/3150	12	3150	290	560	226	316	168	190	239	86	422	728	2	29	75
20F/3150	24	3150	440	635	236	326	178	210	314	96	497	813	3	33	85
30F/3150	36	3150	680	740	261	356	208	230	419	121	602	948	4	39	95

LA FIGURA MOSTRA ISOLATORE 20/3150 IN SCALA 1:5

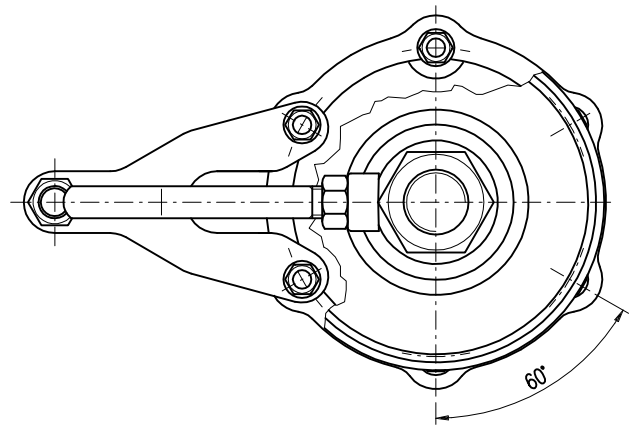
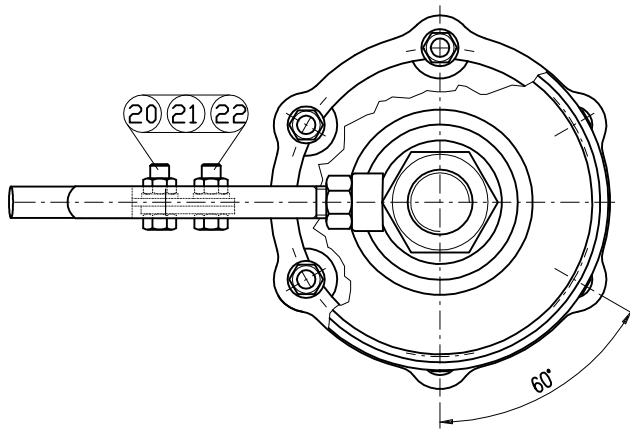
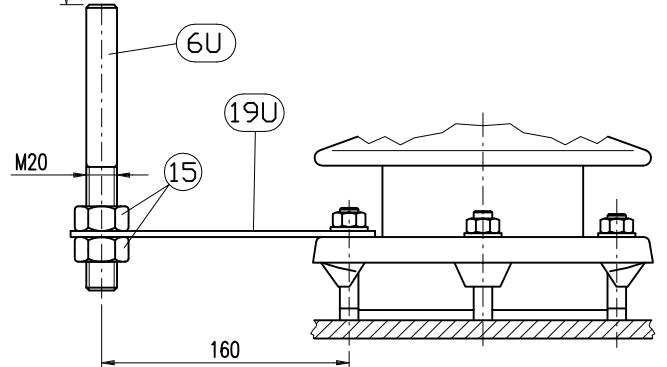
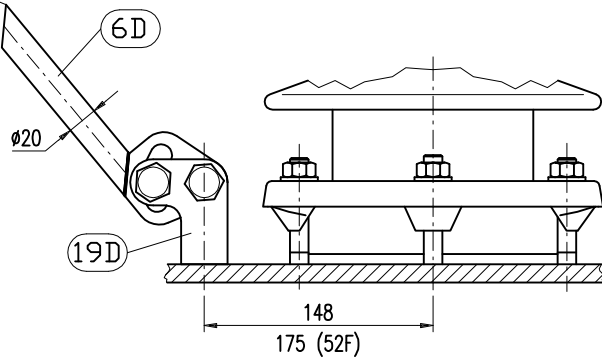
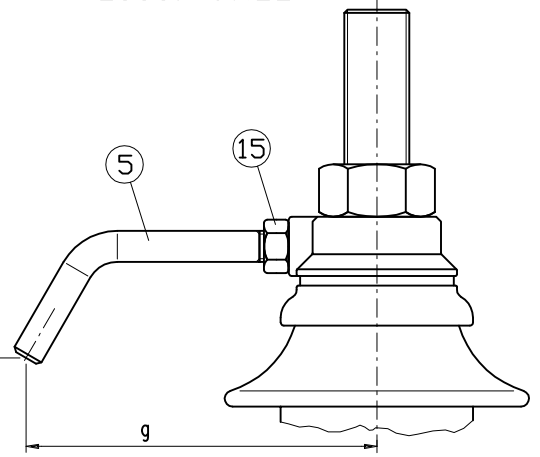
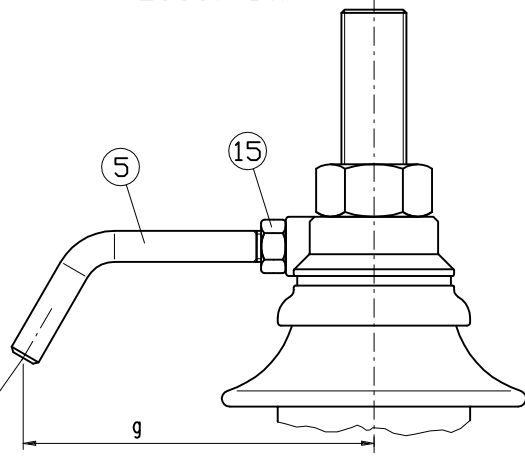
THE FIGURE SHOWS THE BUSHING 20/3150 (1:5 SCALE)



ISOLATORI PASSANTI PER TRASFORMATORI DIN 42533 E UNEL 38174/74
 CORRENTE NOMINALE 3150A
 OUTDOOR TRANSFORMER BUSHING DIN 42533 AND UNEL 38174/74
 RATED CURRENT 3150A

Esec. DIN

Esec. UNEL



Pos.	Q.ty	Descrizione / Description
5	1	Scaricatore superiore Top arcing horn
6D/U	1	Scaricatore inferiore Bottom arcing horn
15	1/3	Dado M20 Fe UNI 5588 Steel nut M20 DIN 934
19D/U	1	Supporto Bracket
20	2	Vite Fe M12 Steel screw M12
21	2	Rondella Fe ø13 Steel washer ø13
22	2	Dado M12 Fe UNI 5588 Steel nut M12 DIN 934

Esecuzione standard: materiale Fe zincotropicalizzato.
Standard execution: steel zinc plated yellow passivated.

Tipo di isolatore Type of bushing	g	Esec. DIN		Esec. UNEL	
		Cod.	r	Cod.	r
10F/1000÷3150	225	AH10F1000D	85	AH10F1500U	70
20F/1000÷3150	225	AH20F1000D	155	AH20F1500U	100
30F/1000÷3150	225	AH30F1000D	220	AH20F1500U	200
52F/1000÷3150	350	AH45F1000D	305	AH45F1000U	300

SCHEMA MONTAGGIO SPINTEROMETRI PER ISOLATORI
ARCING HORNS ASSEMBLY FOR BUSHINGS
10-20-30-52 / 1000÷3150 DIN/UNEL