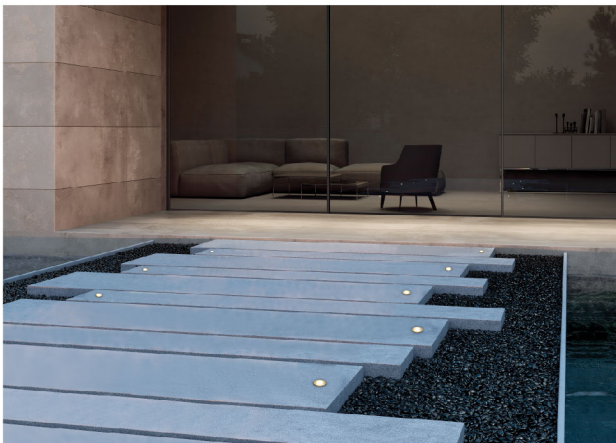


UP

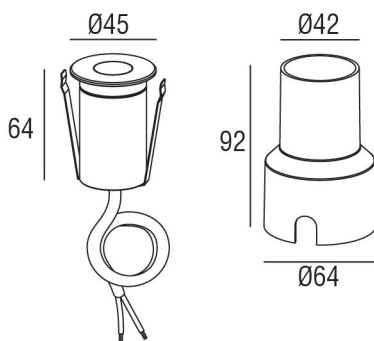
INGROUND



SPECIFICATION

Model	: UP
Item No.	: H1822
Light source	: LED Chip
Power	: 1W
Lumen	: 100 lm
Lumen/Watt	: 100 lm/W
CCT	: 3000K
CRI	: >80
Beam Angle	: 29°
Material	: 304 grade stainless steel
Color	: stainless steel
Paint method	: -
Optical cover	: Tempered frost glass
Adjustable	: -
IP	: 67
Driver Type	: Remote-Driver
Power Voltage	: 12Vdc
Power factor	: >0.96
Dimension (ØxH)	: Ø45×64 mm.

DIMENSION (Unit mm.)



PHOTOMETRIC DATA

