

LC-WD-T205-2HEAD-ECO

CLASSIC POST LAMP

2×E27
LAMP

IP55

ALUMINIUM
MATERIAL

MATT
BLACK
COLOR

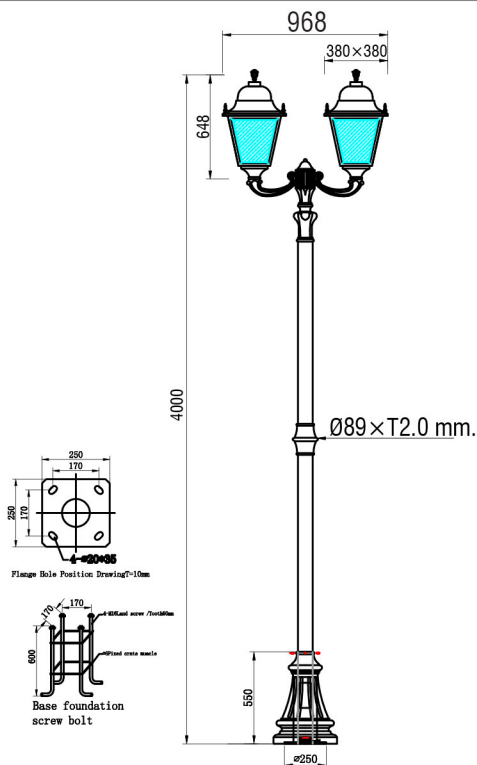
ECO
TYPE



SPECIFICATION

Model	: LC-WD-T205-2HEAD-ECO
Light source	: 2×E27 (Waterproof Socket IP65) (Max. 50W)
Material	: Galvanized steel lamp head cover - Galvanized steel lamp frame - Die-casting aluminum base The exposed fastening screws, nuts is 304 stainless steel.
Color	: Matt Black
Paint method	: Outdoor UV Spray Powder
Diffuser	: Tempered glass
IP	: 55
Power Voltage	: AC220V~50Hz
Size Head (WxLxH)	: 380 × 968 × H648 mm.
Size Pole	: Total H4000 mm. Pole Ø89×T2.0 mm.

DIMENSION (Unit mm.)



Excluded of bolt for fixing with ground

