

LUCE

PRODUCT *Vol.4*

www.southeastthailand.co.th

- LANDSCAPE LIGHTING

SOUTHEAST THAILAND CO.,LTD

SALES Contact

LIGHTING

Tel: +66 (0) 85 661 7769



Tel : (662) 258-0210-5

Fax : (662) 258-1919

Email : Info@southeastthailand.co.th

About

01

Visit
Out
Show Room
&
Our Team



SOUTHEAST THAILAND CO., LTD.

บริษัท เซาท์อีสท์ไทยแลนด์ จำกัด ผู้จำหน่ายโคมไฟหลากหลายชนิดทั้งโคมไฟใช้งานทั่วไปสำหรับตกแต่งภายในอาคาร รวมทั้งโคมไฟภายนอกอาคารในรูปแบบของโคมไฟที่ทันสมัย มีเอกลักษณ์ เหมาะสมกับการใช้งาน รวมถึงโคมไฟ LED เช่น ดาวน้โไลท์ โคมไฟติดผนังโคมติดเพดานรวมถึงโคมไฟประเภทอื่นอีกมากมาย ในทุกรูปแบบ ทุกสไตล์ ไม่ว่าจะเป็็นแนวโมเดิร์นหรือแนวคลาสสิกใช้ได้ทั้งภายในและภายนอกอาคาร ด้วยมาตรฐานการผลิตที่ทันสมัย รวมถึงคุณภาพของ LED CHIP ที่ทางบริษัทฯ ได้เลือกใช้ผลิตภัณฑ์ที่เป็นแบรนด์ชั้นนำระดับโลก เช่น Lumileds Cree Bridgelux ซึ่งมั่นใจในมาตรฐานและคุณภาพระดับสากล ผลิตภัณฑ์โคมไฟที่ทางบริษัทฯ เป็นตัวแทนจำหน่ายมีทั้งนำเข้าจากยุโรป อาทิ Klewe, Vistosi, Roger Pradier, Traxon และสินค้าของบริษัทเซาท์อีสท์ไทยแลนด์ ภายใต้แบรนด์ LUCE นอกจากนี้ทางบริษัทฯ ยังมีบริการให้คำปรึกษาด้านแสงสว่างโดยผู้เชี่ยวชาญ ด้านแสงสว่างรวมทั้งมีทีมออกแบบ (Lighting Designer) เพื่อให้บริการด้านการออกแบบ ไม่ว่าจะเป็็นการออกแบบไฟภายใน ไฟภายนอกหรือแม้แต่ไฟประดับอาคาร ด้วยประสบการณ์อันยาวนานในการจัดจำหน่ายโคมไฟรวมถึง การให้บริการต่างๆ ด้านไฟฟ้าและแสงสว่างมากกว่า 50 ปี เราจึงมีกลุ่มลูกค้าที่ไว้วางใจในการใช้ผลิตภัณฑ์ของทาง บริษัทฯ ด้วยดีตลอดมา ไม่ว่าจะเป็็นโครงการ คอนโดมิเนียมชั้นนำโรงแรม อาคารสำนักงาน บ้านพักอาศัย ร้านค้าต่างๆ เป็นต้นเราจึงมั่นใจได้ว่าเราเป็นหนึ่งในบริษัทที่ให้บริการสินค้าโคมไฟครบวงจรทุกประเภท ทุกสไตล์ ทุกบริการรวมถึงการบริการหลังการขายเพื่อตอบสนองความต้องการของลูกค้า



IG : SOUTHEAST_THAILAND



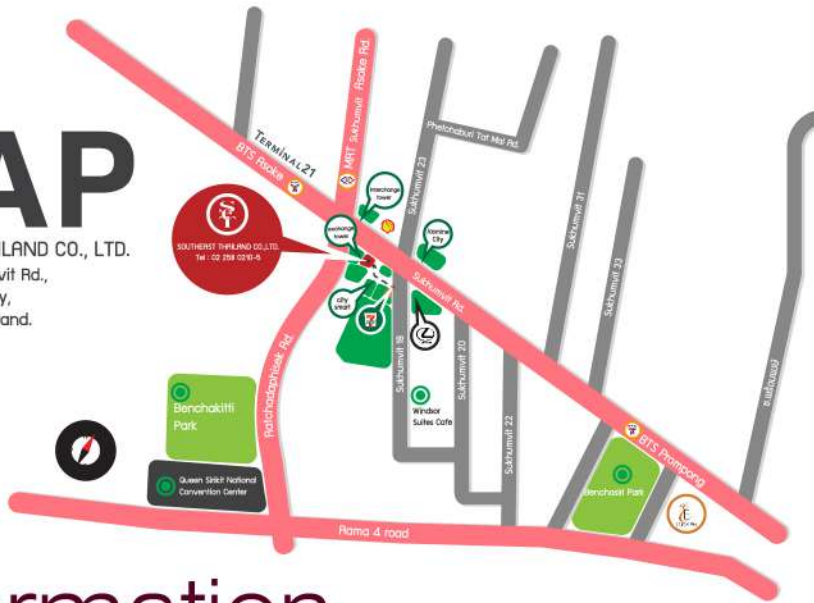
FB : SOUTHEASTTHAILANDOFFICIAL



WWW.SOUTHEASTTHAILAND.CO.TH

MAP

SOUTHEAST THAILAND CO., LTD.
390/6-7-8 Sukhumvit Rd.,
Klongtoey, Klongtoey,
Bangkok, 10110 Thailand.



Map

02

information

Correlated Color Temperature (CCT)

Definition: the absolute temperature of a blackbody whose chromaticity most nearly resembles that of the light source. The correlated color temperature (CCT) is a specification of the color appearance of the light emitted by a lamp, relating its color to the color of light from a reference source when heated to a particular temperature, measured in degrees Kelvin (K). The CCT rating for a lamp is a general "warmth" or "coolness" measure of its appearance. However, opposite to the temperature scale, lamps with a CCT rating below 3200 K are usually considered "warm" sources, while those with a CCT above 4000 K are usually considered "cool" in appearance. The correlated color temperature (CCT) designation for a light source gives a good indication of the lamp's general appearance, but does not give information on its specific spectral power distribution. Therefore, two lamps may appear to be the same color, but their effects on object colors can be quite different, which could be further explained in color rendering index (CRI).

Reference: Lighting Research Centre (USA)

2700K

super warm white

3000K

warm white

4000K

day white

5000K

neural white

5500K

cool white

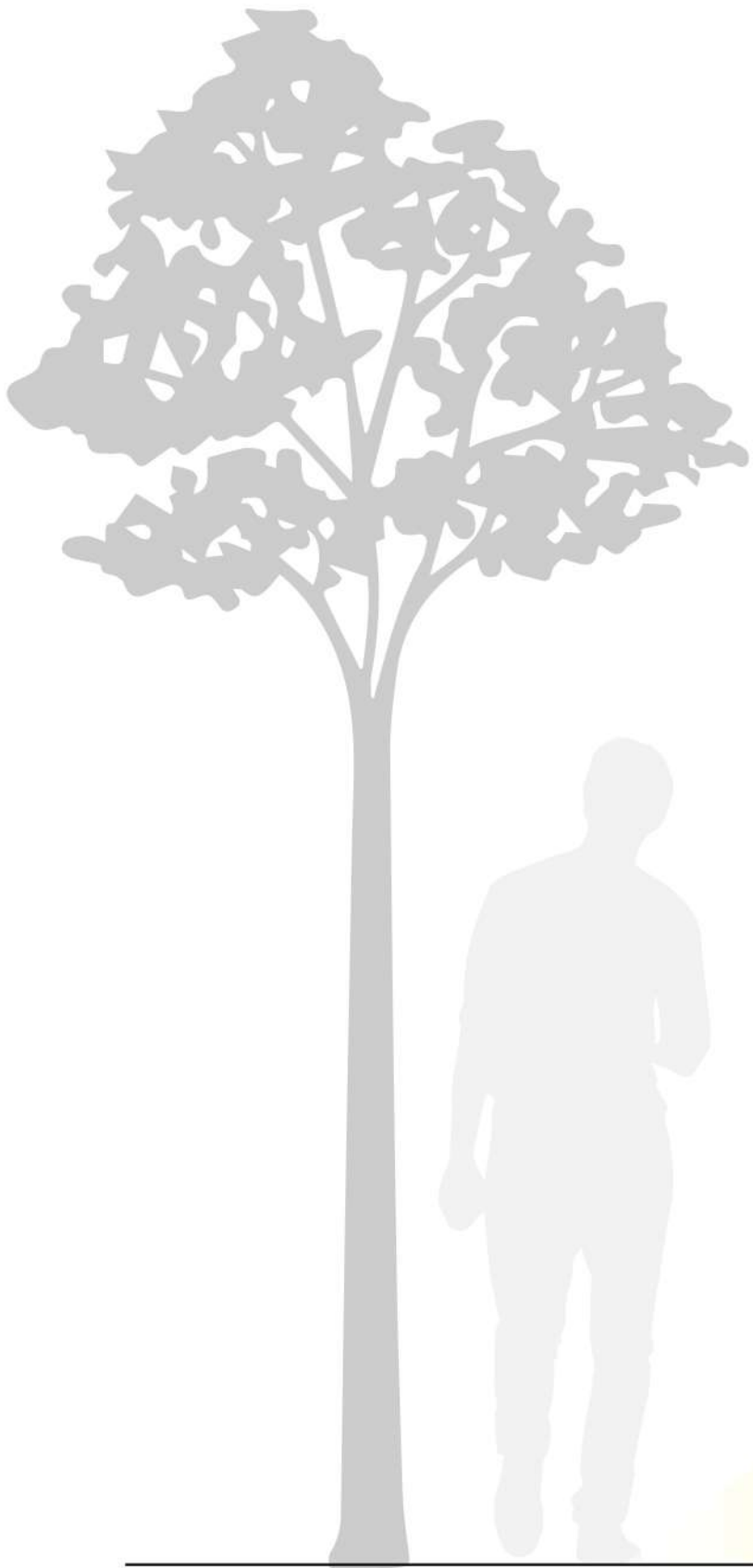


Easy guide to Colour Rendering Index (CRI)

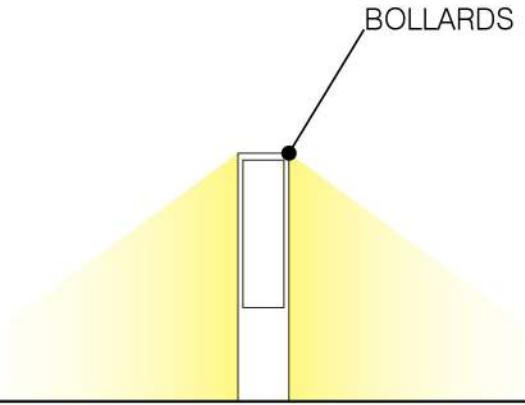
you're looking at lamps, bulbs or any form of lights, you'll often notice how many products have a 'CRI' number, known as a 'Colour Rendering Index'. But what is 'CRI' and how does its rating effect our decision to make a purchase? Let BeamLED whittle down the facts for you in 'Your Guide to CRI'.

What is CRI?

CRI (Colour Rendering Index) is the standard measurement of a sources ability to reveal the colours of objects in comparison to a natural light source. The highest possible CRI is 100. This is the same colouring rendering as natural daylight which is often given to incandescent /halogen bulbs. The colour of the light is known as Correlated Colour Temperature (CCT) and is measured in Kelvin (K). Warmer/yellow bulbs = 3500K , whilst cooler/bluer bulbs = 6500K.



BOLLARDS LIGHT



BOLLARDS

WOODY MAXI

BOLLARD LIGHT



CREE
CHIP LED

7
WATT

IP65

DIE-CAST
ALUMINIUM
MATERIAL

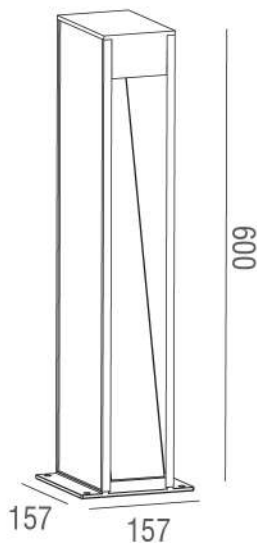
WOOD
COLOR

CE

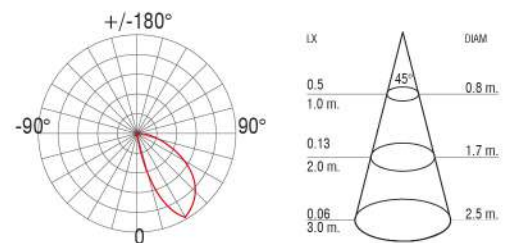
SPECIFICATION

Model	: WOODY MAXI
Item No.	: H3194LWD-600
Light source	: LED Chip
Power	: 7W
Lumen	: 700 lm
Lumen/Watt	: 100 lm/W
CCT	: 3000K
CRI	: >80
Beam Angle	: 45°
Material	: Die-cast Aluminium
Color	: Wood
Paint method	: Outdoor UV Spray Powder
Optical cover	: Safety glass lens
Adjustable	: -
IP	: 65
Driver Type	: Built-in Driver
Power Voltage	: 220-240V~50Hz
Power factor	: >0.96
Dimension (WxLxH)	: 157x157x600 mm.

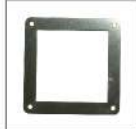
DIMENSION (Unit mm.)





PHOTOMETRIC DATA





ACCESSORY



Plate


J Bolts


Hex Wrench


Cable Gland


Acorn Nuts


Washers

+ Installation Manual

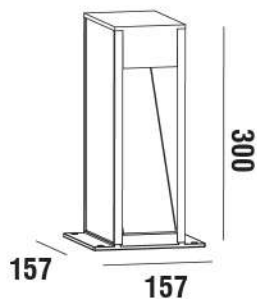
UNIT PRICE : 7,500.-

WOODY MINI

BOLLARD LIGHT



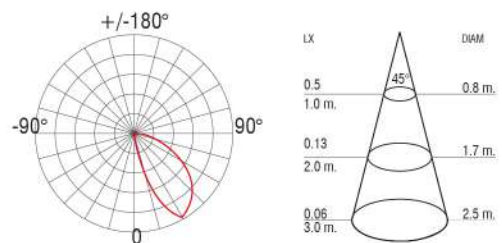
DIMENSION (Unit mm.)



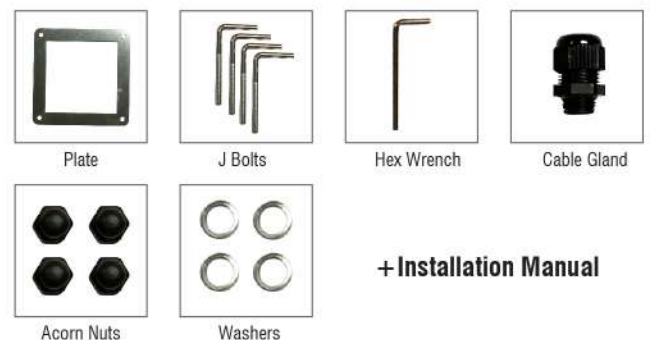
SPECIFICATION

Model	: WOODY MINI
Item No.	: H3194LWD-300
Light source	: LED Chip
Power	: 7W
Lumen	: 700 lm
Lumen/Watt	: 100 lm/W
CCT	: 3000K
CRI	: >80
Beam Angle	: 45°
Material	: Die-cast Aluminium
Color	: Wood
Paint method	: Outdoor UV Spray Powder
Optical cover	: Safety glass lens
Adjustable	: -
IP	: 65
Driver Type	: Built-in Driver
Power Voltage	: 220-240V~50Hz
Power factor	: >0.96
Dimension (WxLxH)	: 157x157x300 mm.

PHOTOMETRIC DATA



ACCESSORY



+ Installation Manual

UNIT PRICE : 6,900.-

ARA MAXI

BOLLARD LIGHT



CREE
CHIP LED

15
WATT

IP65

DIE-CAST
ALUMINIUM
MATERIAL

ANTHRACITE
COLOR

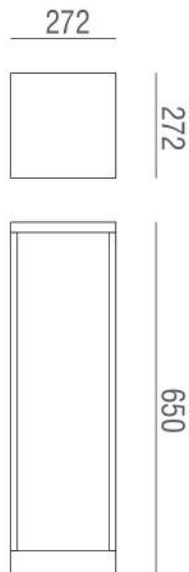
CE

SPECIFICATION

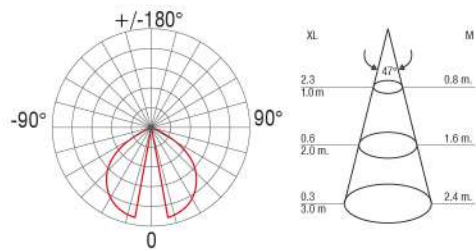
Model	: ARA MAXI
Item No.	: H1743-650
Light source	: LED Chip
Power	: 15W
Lumen	: 1500 lm
Lumen/Watt	: 100 lm/W
CCT	: 3000K
CRI	: >80
Beam Angle	: 47°
Material	: Die-cast Aluminium
Color	: Anthracite
Paint method	: Outdoor UV Spray Powder
Optical cover	: Safety glass lens
Adjustable	: -
IP	: 65
Driver Type	: Driver on Board
Power Voltage	: 220-240V~ 50Hz
Power factor	: >0.96
Dimension (WxLxH)	: 272x272x650 mm.




DIMENSION (Unit mm.)





PHOTOMETRIC DATA





ACCESSORY



Plate


J Bolts


Hex Wrench


Cable Gland


Acorn Nuts


Washers

+ Installation Manual

UNIT PRICE : 6,500.-

LC-WD-C240

BOLLARD LIGHT



LED

7
WATT

IP65

ALUMINIUM
MATERIAL

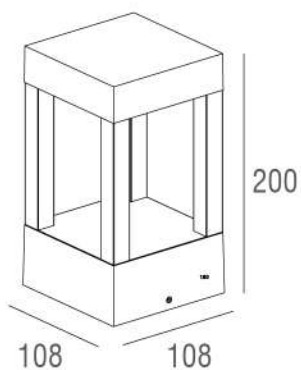
MATT
BLACK
COLOR

ECO

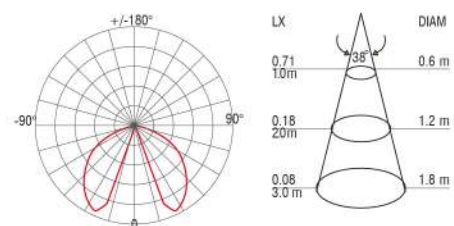
SPECIFICATION

Model	: LC-WD-C240
Light source	: LED Chip
Power	: 7W
Lumen	: 700 lm
Lumen/Watt	: 100 lm/W
CCT	: 3000K
CRI	: >80
Beam Angle	: 38°
Material	: Aluminium
Color	: Matt Black
Paint method	: Outdoor UV Spray Powder
Optical cover	: Tempered glass
Adjustable	: -
IP	: 65
Driver Type	: Built-in Driver
Power Voltage	: 200-240V~ 50Hz
Power factor	: >0.96
Dimension (WxLxH)	: 108x108x200 mm.

DIMENSION (Unit mm.)



PHOTOMETRIC DATA



ACCESSORY



Hex Wrench

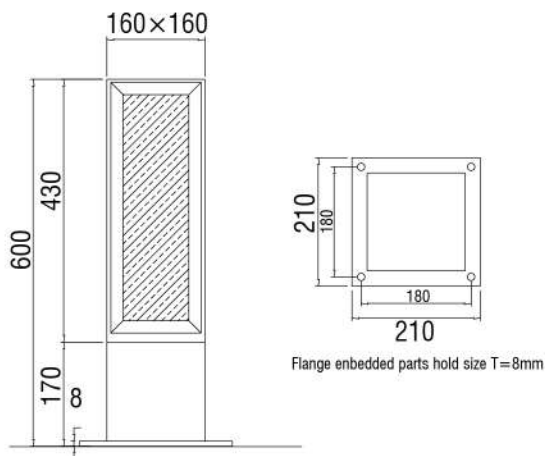
UNIT PRICE : 2,200.-

LC-WD-C1098

BOLLARD LIGHT



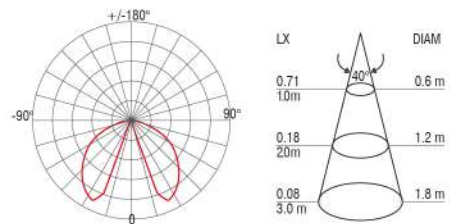
DIMENSION (Unit mm.)



SPECIFICATION

Model	: LC-WD-C1098
Light source	: LED Chip
Power	: 7W
Lumen	: 700 lm
Lumen/Watt	: 100 lm/W
CCT	: 3000K
CRI	: >80
Beam Angle	: 40°
Material	: Aluminum+ white Oil Tempered Glass
Color	: Matt Anthracite (V322401S)
Paint method	: Outdoor UV Spray Powder
Diffuser	: Tempered glass
Adjustable	: -
IP	: 65
Driver Type	: Built-in Driver
Power Voltage	: 200-240V~ 50Hz
Power factor	: >0.96
Dimension (WxLxH)	: 160x160x600 mm.

PHOTOMETRIC DATA



UNIT PRICE : 8,500.-

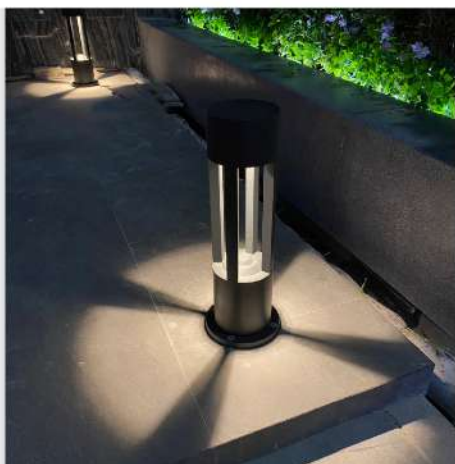
LC-WD-C411A

BOLLARD LIGHT

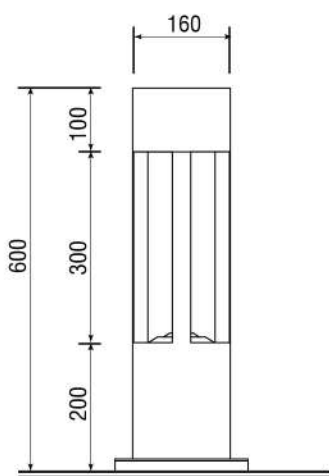


SPECIFICATION

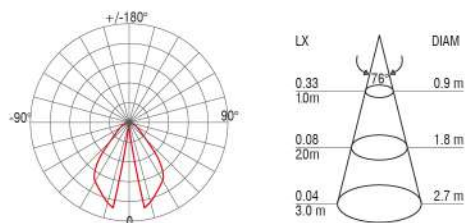
Model	: LC-WD-C411A
Light source	: LED Chip
Power	: 7W
Lumen	: 700 lm
Lumen/Watt	: 100 lm/W
CCT	: 3000K
CRI	: >80
Beam Angle	: 76°
Material	: Aluminum
Color	: Matt Anthracite (V322401S)
Paint method	: Outdoor UV Spray Powder
Optical cover	: Polycarbonate
Adjustable	: -
IP	: 65
Driver Type	: Built-in Driver
Power Voltage	: 200-240V~ 50Hz
Power factor	: >0.96
Dimension (ØxH)	: Ø160x600 mm.



DIMENSION (Unit mm.)



PHOTOMETRIC DATA



UNIT PRICE : 6,000.-

TRANSIT

BOLLARD LIGHT



CREE
CHIP LED

7
WATT

IP65

DIE-CAST
ALUMINIUM
MATERIAL

ANTHRACITE
COLOR

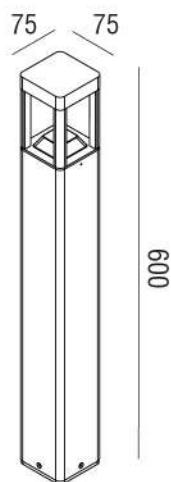
CE

SPECIFICATION

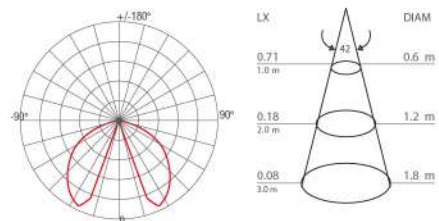
Model	: TRANSIT
Item No.	: 1530103
Light source	: LED Chip
Power	: 7W
Lumen	: 700 lm
Lumen/Watt	: 100 lm/W
CCT	: 3000K
CRI	: >80
Beam Angle	: 42°
Material	: Die-cast Aluminium
Color	: Anthracite
Paint method	: Outdoor UV Spray Powder
Optical cover	: Safety glass lens
Adjustable	: -
IP	: 65
Driver Type	: Built-in Driver
Power Voltage	: 200-240V~ 50Hz
Power factor	: >0.96
Dimension (WxLxH)	: 75x75x600 mm.



DIMENSION (Unit mm.)



PHOTOMETRIC DATA



ACCESSORY



+ Installation Manual

UNIT PRICE : 6,600.-

PILUM

BOLLARD LIGHT



CREE
CHIP LED

10
WATT

IP65

DIE-CAST
ALUMINIUM
MATERIAL

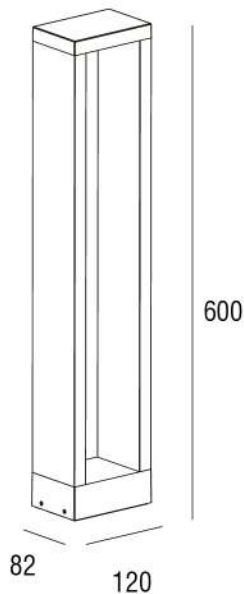
ANTHRACITE
COLOR

CE

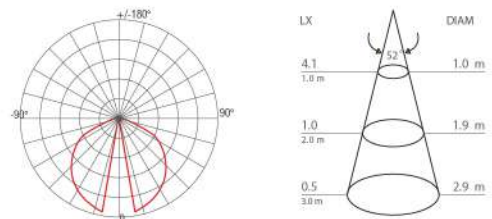
SPECIFICATION

Model	: PILUM
Item No.	: 2120103
Light source	: LED Chip
Power	: 10W
Lumen	: 1000 lm
Lumen/Watt	: 100 lm/W
CCT	: 3000K
CRI	: >80
Beam Angle	: 52°
Material	: Die-cast Aluminium
Color	: Anthracite
Paint method	: Outdoor UV Spray Powder
Optical cover	: Safety glass lens
Adjustable	: -
IP	: 65
Driver Type	: Driver On Board
Power Voltage	: 220-240V~ 50Hz
Power factor	: >0.96
Dimension (WxLxH)	: 82 x 120 x 600 mm.

DIMENSION (Unit mm.)



PHOTOMETRIC DATA



ACCESSORY


J Bolts


Stainless Steel Cable Gland


Hex Wrench


Plate


Washer


Acorn Nuts

+ Installation Manual

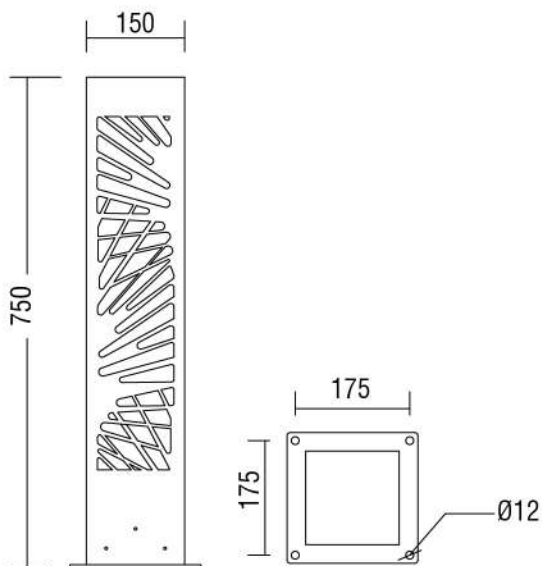
UNIT PRICE : 6,000.-

LC-WD-C1099

BOLLARD LIGHT



DIMENSION (Unit mm.)



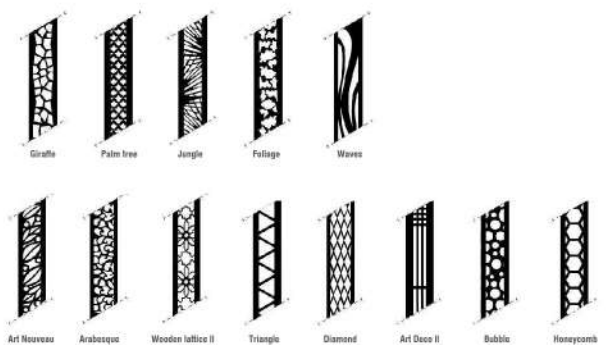
UNIT PRICE : 7,500.-



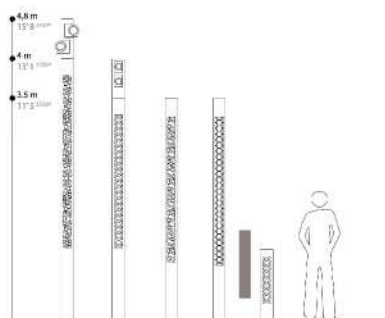
SPECIFICATION

Model	: LC-WD-C1099
Light source	: LED Chip
Power	: 7W
Lumen	: 700 lm
Lumen/Watt	: 100 lm/W
CCT	: 3000K
CRI	: >80
Beam Angle	: N/A
Material	: Aluminum
Color	: Matt Anthracite (V322401S)
Paint method	: Outdoor UV Spray Powder
Optical cover	: Safety glass lens
Adjustable	: -
IP	: 65
Driver Type	: Built-in Driver
Power Voltage	: 220-240V~ 50Hz
Power factor	: >0.96
Dimension (WxLxH)	: 150x150x750 mm.

OPTIONS GEOMETRIC



OPTIONS TYPE



PLIE

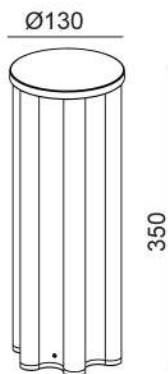
BOLLARD LIGHT



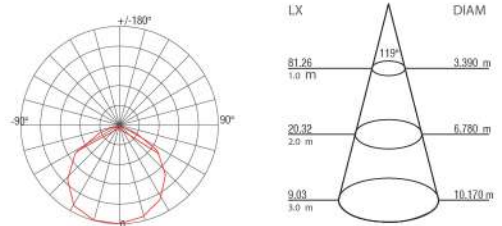
SPECIFICATION

Model	:	PLIE
Item No.	:	1550103
Light source	:	LED Chip
Power	:	6×2W
Lumen	:	720 lm
Lumen/Watt	:	60 lm/W
CCT	:	3000K
CRI	:	> 80
Beam Angle	:	119°
Material	:	Die-cast Aluminium
Color	:	Anthracite
Paint method	:	Outdoor UV Spray Powder
Optical cover	:	Safety glass lens
Adjustable	:	-
IP	:	65
Driver Type	:	Built-in Driver
Power Voltage	:	220-240V~ 50Hz
Power factor	:	>0.96
Dimension (WxLxH)	:	Ø130×350mm.

DIMENSION (Unit mm.)



PHOTOMETRIC DATA



ACCESSORY



Hex Wrench



Plastic Plug



Screw



Rubber Stopper

+ Installation Manual

UNIT PRICE : 4,500.-

LC-WD-C758B

BOLLARD LIGHT



SPECIFICATION

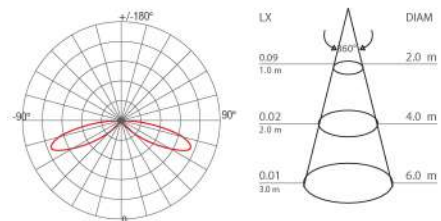
Model	: LC-WD-C758B
Light source	: LED Chip
Power	: 10W
Lumen	: 1000 lm
Lumen/Watt	: 100 lm/W
CCT	: 3000K
CRI	: >80
Beam Angle	: 360°
Material	: Die-cast Aluminium
Color	: Anthracite
Paint method	: Outdoor UV Spray Powder
Optical cover	: Safety glass lens
Adjustable	: -
IP	: 65
Driver Type	: Built-in Driver
Power Voltage	: 220-240V~ 50Hz
Power factor	: >0.96
Dimension (ØxH)	: Ø141 x H960mm.



DIMENSION (Unit mm.)



PHOTOMETRIC DATA



UNIT PRICE : 5,800.-

LC-WD-C124F

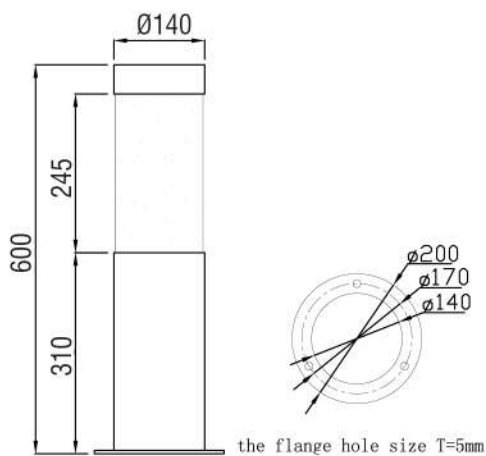
BOLLARD LIGHT



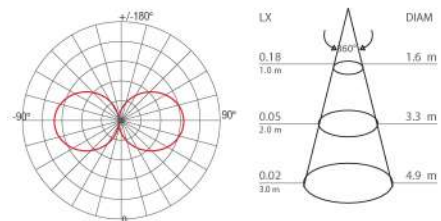
SPECIFICATION

Model	: LC-WD-C124F
Light source	: LED Chip
Power	: 7W
Lumen	: 700 lm
Lumen/Watt	: 100 lm/W
CCT	: 3000K
CRI	: >80
Beam Angle	: 360°
Material	: Aluminum
Color	: Matt Anthracite (V322401S)
Paint method	: Outdoor UV Spray Powder
Diffuser	: PMMA frosty acrylic
Adjustable	: -
IP	: 65
Driver Type	: Built-in Driver
Power Voltage	: 200-240V~ 50Hz
Power factor	: >0.96
Dimension (ØxH)	: Ø140x600 mm.

DIMENSION (Unit mm.)



PHOTOMETRIC DATA



UNIT PRICE : 7,000.-

LC-WD-C474

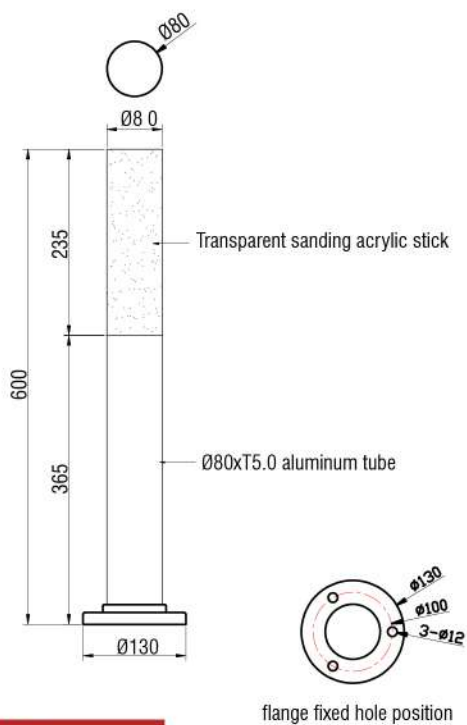
BOLLARD LIGHT



SPECIFICATION

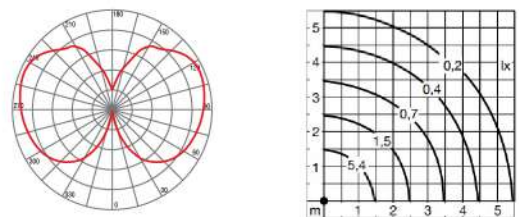
Model	: LC-WD-C474
Light source	: Cree LED
Power	: 12W
Lumen	: 1200 lm
Lumen/Watt	: 100 lm/W
CCT	: 3000K
CRI	: > 80
Beam Angle	: 360°
Material	: Aluminum Thickness 3.0 mm. nuts 304 stainless steel.
Color	: Matt Anthracite (V322401S)
Paint method	: Outdoor UV Spray Powder
Diffuser	: Sanding acrylic stick
Adjustable	: -
IP	: 65
Driver Type	: Built-in Driver
Power Voltage	: 200-240V~50Hz
Power factor	: >0.96
Dimension (ØxH)	: Ø80×H600 mm.

DIMENSION (Unit mm.)



UNIT PRICE : x,xxx.-

PHOTOMETRIC DATA



LC-YL-LIMB-2043

BOLLARD LIGHT



LED

12
WATT

IP65

DIE-CAST
ALUMINIUM
MATERIAL

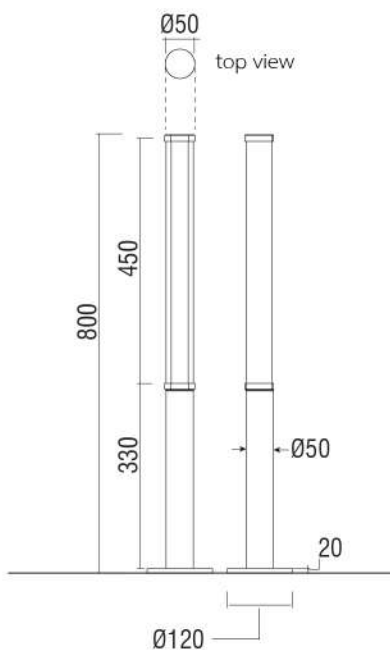
Anthracite
Grey
RAL 7016

SPECIFICATION

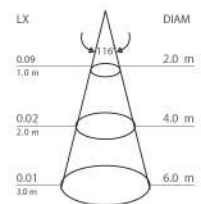
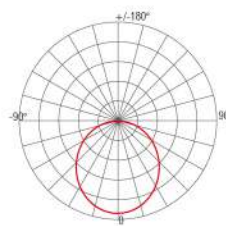
Model	: LC-YL-LIMB-2043
Light source	: LED Chip
Power	: 12W
Lumen	: 1200 lm
Lumen/Watt	: 100 lm/W
CCT	: 3000K
CRI	: >80
Beam Angle	: 116°
Material	: Die-cast Aluminium
Color	: Anthracite Grey RAL 7016
Paint method	: Outdoor UV Spray Powder
Optical cover	: Opal PC Lens
Adjustable	: -
IP	: 65
Driver Type	: Built-in Driver
Power Voltage	: 200-240V~ 50Hz
Power factor	: >0.96
Dimension (ØxH)	: Body Ø50×H780 mm. Base Ø120 ×H20 mm.



DIMENSION (Unit mm.)



PHOTOMETRIC DATA



ACCESSORY



Hex Wrench

UNIT PRICE : 6,500.-

ELFO

BOLLARD LIGHT



CREE
CHIP LED

7
WATT

IP65

DIE-CAST
ALUMINIUM
MATERIAL

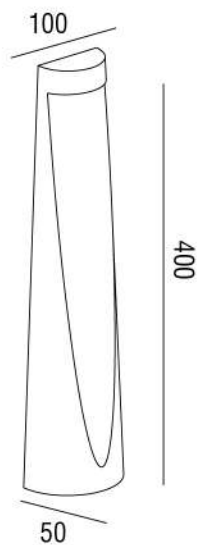
ANTHRACITE
COLOR

CE

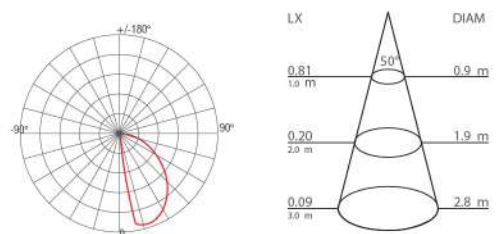
SPECIFICATION

Model	: ELFO
Item No.	: 5853COB-400
Light source	: LED Chip
Power	: 7W
Lumen	: 700 lm
Lumen/Watt	: 100 lm/W
CCT	: 3000K
CRI	: >80
Beam Angle	: 50°
Material	: Die-cast Aluminium
Color	: Anthracite
Paint method	: Outdoor UV Spray Powder
Optical cover	: Safety glass lens
Adjustable	: -
IP	: 65
Driver Type	: Driver On Board
Power Voltage	: 220-240V~ 50Hz
Power factor	: >0.96
Dimension (WxLxH)	: 100x50x400 mm.

DIMENSION (Unit mm.)



PHOTOMETRIC DATA



ACCESSORY


J Bolts


Stainless Steel Cable Gland


Hex Wrench


Plate


Washers


Acorn Nuts

+ Installation Manual

UNIT PRICE : 5,000.-

LC-WD-HH3207

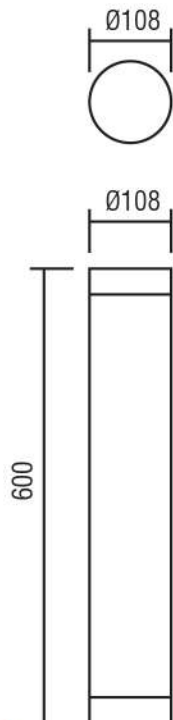
BOLLARD LIGHT



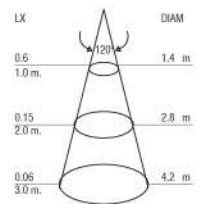
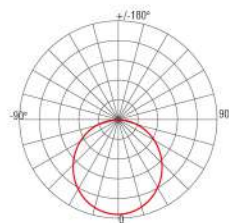
SPECIFICATION

Model	: LC-WD-HH3207
Light source	: LED Bridgelux
Power	: 12W
Lumen	: 1260 lm
Lumen/Watt	: 105 lm/W
CCT	: 4000K
CRI	: >80
Beam Angle	: 120°
Material	: Aluminum
Color	: Matte Black (V322401S)
Paint method	: Outdoor UV Spray Powder
Optical cover	: Safety glass lens
Adjustable	: No
IP	: 65
Driver Type	: Built-in Driver
Power Voltage	: 200-240V~50Hz
Power factor	: >0.96
Dimension (ØxH)	: Ø108×H600 mm.

DIMENSION (Unit mm.)



PHOTOMETRIC DATA

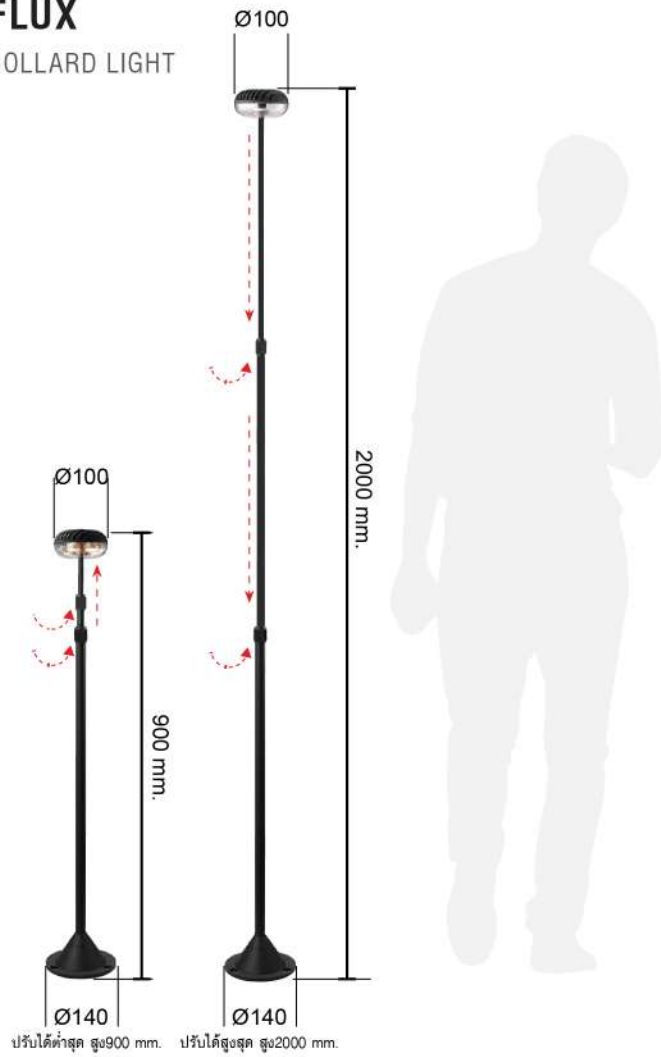


UNIT PRICE : x,xxx.-



FLUX

BOLLARD LIGHT



CREE
CHIP LED

6
WATT

IP65

DIE-CAST
ALUMINIUM
MATERIAL

ANTHRACITE
COLOR

CE

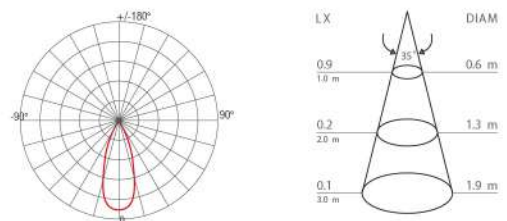
SPECIFICATION

Model	: FLUX
Item No.	: 1510103-LED
Light source	: LED Chip
Power	: 6W
Lumen	: 600 lm
Lumen/Watt	: 100 lm/W
CCT	: 3000K
CRI	: >80
Beam Angle	: 35°
Material	: Die-cast Aluminium
Color	: Anthracite
Paint method	: Outdoor UV Spray Powder
Diffuser	: Clear pc
Adjustable	: -
IP	: 65
Driver Type	: External Driver
Power Voltage	: 220-240V~ 50Hz
Power factor	: >0.96
Dimension (ØxH)	: Ø100x900~2000 mm.



UNIT PRICE : 6,600.-

PHOTOMETRIC DATA



ACCESSORY



Washers



Nuts



Acorn Nuts

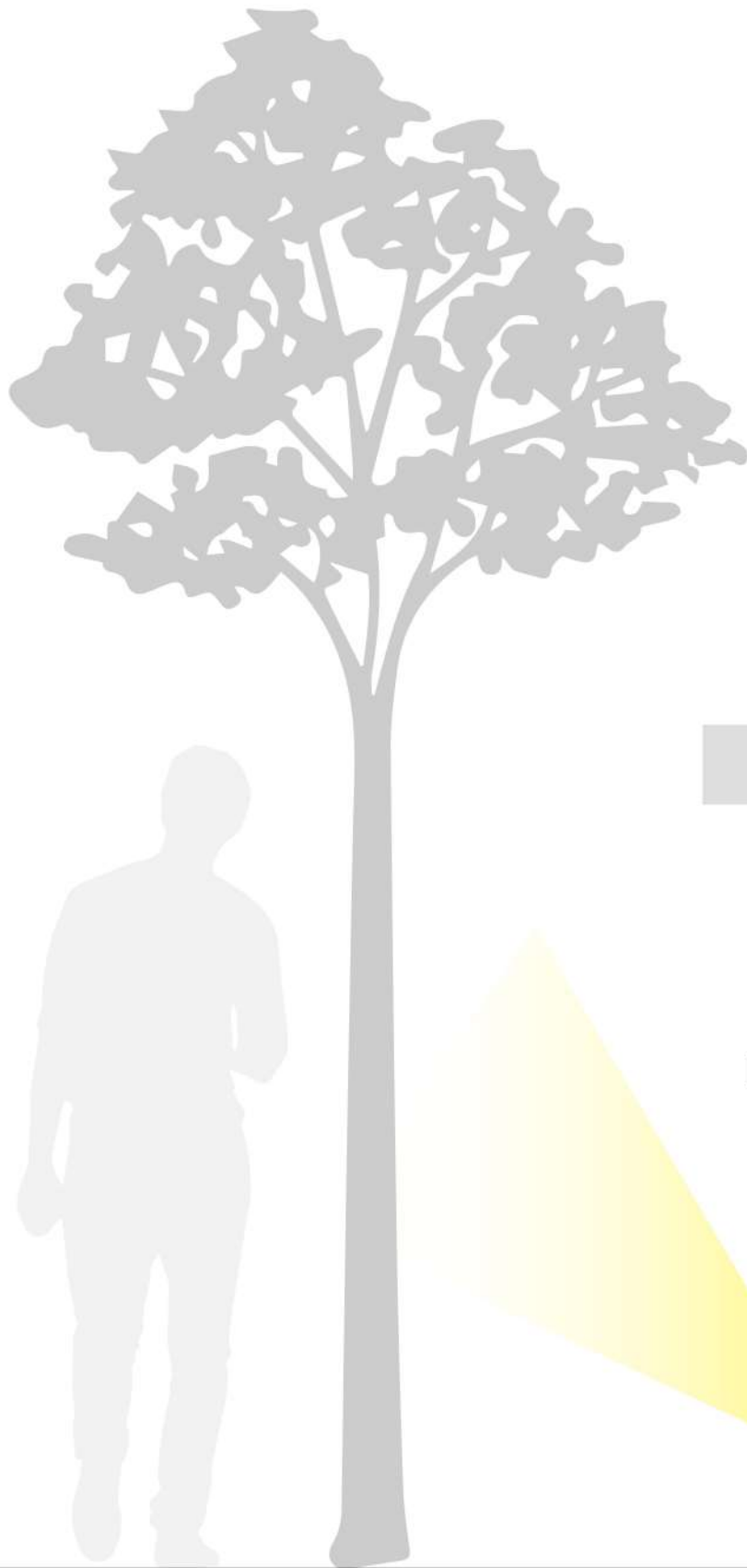


Nuts



J Bolts

+ Installation Manual



FLOODLIGHT

FLOODLIGHT



CUBIC MINI

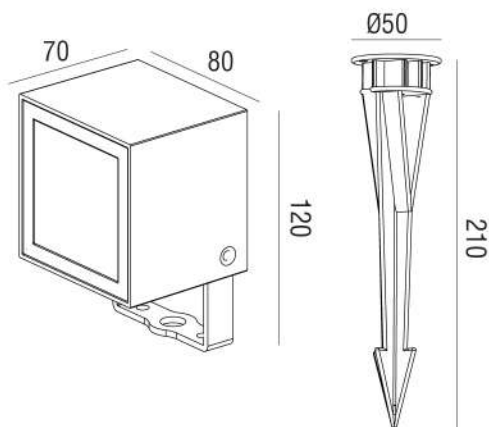
FLOODLIGHT



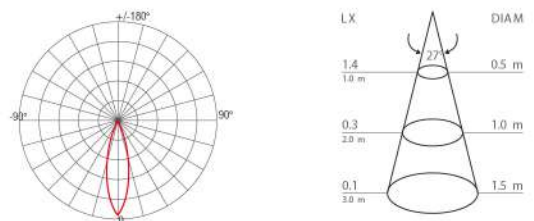
SPECIFICATION

Model	: CUBIC MINI
Item No.	: LC-2741-03
Light source	: LED Chip
Power	: 8W
Lumen	: 800 lm
Lumen/Watt	: 100 lm/W
CCT	: 3000K
CRI	: >80
Beam Angle	: 27°
Material	: Die-cast Aluminium
Color	: Anthracite
Paint method	: Outdoor UV Spray Powder
Optical cover	: Safety glass lens
Adjustable	: Yes
IP	: 65
Driver Type	: Built-in Driver
Power Voltage	: 220-240V~ 50Hz
Power factor	: >0.96
Dimension (WxLxH)	: 70x80x120 mm.

DIMENSION (Unit mm.)



PHOTOMETRIC DATA



ACCESSORY



+ Installation Manual

UNIT PRICE : 3,700.-

2591-LED

FLOODLIGHT

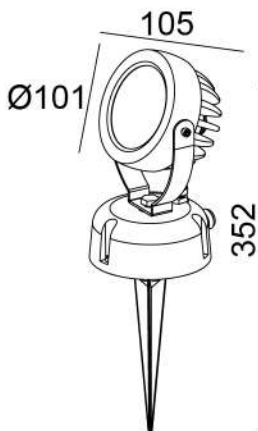


SPECIFICATION

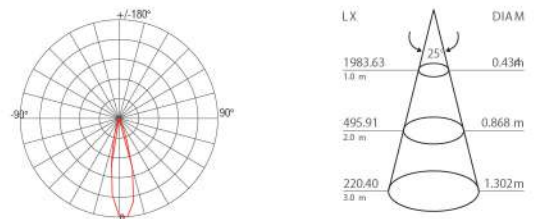
Item No.	: 2591-LED
Light source	: LED Chip
Power	: 6W
Lumen	: 600 lm
Lumen/Watt	: 100 lm/W
CCT	: 3000K
CRI	: >80
Beam Angle	: 25°
Material	: Die-cast Aluminium
Color	: Anthracite
Paint method	: Outdoor UV Spray Powder
Optical cover	: Safety glass lens
Adjustable	: Yes
IP	: 65
Driver Type	: Built-in Driver
Power Voltage	: 220-240V~ 50Hz
Power factor	: >0.96
Dimension (ØxLxH)	: Ø101x105x352 mm.



DIMENSION (Unit mm.)



PHOTOMETRIC DATA



ACCESSORY



+ Installation Manual

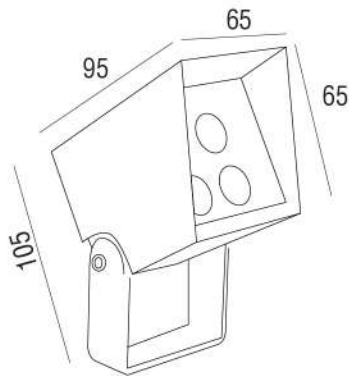
UNIT PRICE : x,xxx.-

LC-WD-MB23-0611

FLOODLIGHT



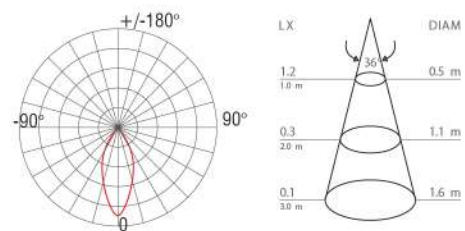
DIMENSION (Unit mm.)



SPECIFICATION

Model	: LC-WD-MB23-0611
Light source	: LED Chip
Power	: 8W
Lumen	: 800 lm
Lumen/Watt	: 100 lm/W
CCT	: 3000K
CRI	: >80
Beam Angle	: 36°
Material	: Die-cast Aluminium
Color	: Dark Grey
Paint method	: Outdoor UV Spray Powder
Optical cover	: Safety glass lens
Adjustable	: Yes
IP	: 65
Driver Type	: Built-in LED Driver
Power Voltage	: 200-240V~ 50Hz
Power factor	: >0.96
Dimension (WxLxH)	: 65x65x105 mm.

PHOTOMETRIC DATA



ACCESSORY



Plastic spike included



Hex Wrench



Tree Strap (for small base)

UNIT PRICE : 2,200.-

CUBIC

FLOODLIGHT

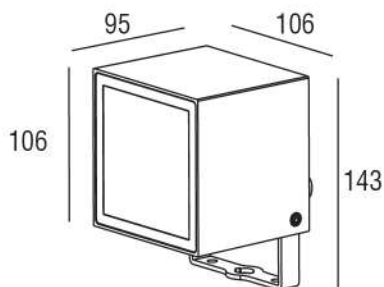


CREE CHIP LED	20 WATT	IP65	DIE-CAST ALUMINIUM MATERIAL	ANTHRACITE COLOR	CE
-------------------------	-------------------	-------------	-----------------------------------	---------------------	----

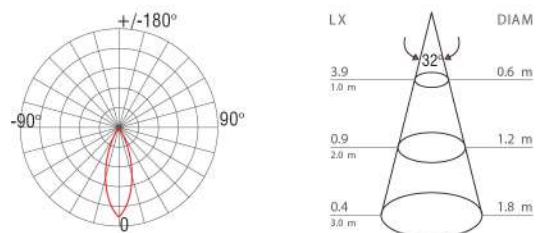
SPECIFICATION

Model	: CUBIC
Item No.	: 2250103
Light source	: LED Chip
Power	: 20W
Lumen	: 2000 lm
Lumen/Watt	: 100 lm/W
CCT	: 3000K
CRI	: >80
Beam Angle	: 32°
Material	: Die-cast Aluminium
Color	: Anthracite
Paint method	: Outdoor UV Spray Powder
Optical cover	: Safety glass lens
Adjustable	: Yes
IP	: 65
Driver Type	: Driver on Board
Power Voltage	: 220-240V~ 50Hz
Power factor	: >0.96
Dimension (WxLxH)	: 95x106x143mm.

DIMENSION (Unit mm.)



PHOTOMETRIC DATA



ACCESSORY

Cable Gland	Hex Wrench	Plastic Plug	Screw
Optional	Plastic spike included		

+ Installation Manual

UNIT PRICE : 6,200.-

CUBIC MICRO

FLOODLIGHT

CREE
CHIP LED

1
WATT

IP65

DIE-CAST
ALUMINIUM
MATERIAL

ANTHRACITE
COLOR

CE

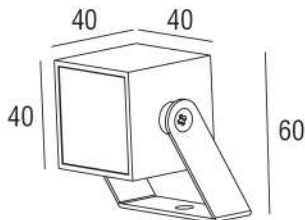
SPECIFICATION

Model	: CUBIC MICRO
Item No.	: 22503
Light source	: LED Chip
Power	: 1W
Lumen	: 100 lm
Lumen/Watt	: 100 lm/W
CCT	: 3000K
CRI	: >80
Beam Angle	: 28°, 16°
Material	: Die-cast Aluminium
Color	: Anthracite
Paint method	: Outdoor UV Spray Powder
Optical cover	: Safety glass lens
Adjustable	: Yes
IP	: 65
Driver Type	: External Driver
Power Voltage	: 12V / 24V
Power factor	: >0.96
Dimension (WxLxH)	: 40x40x60mm.

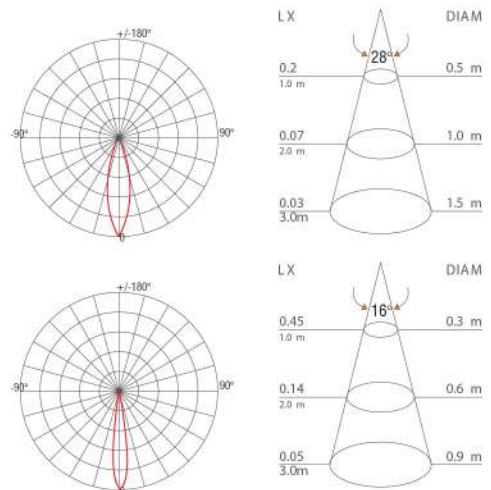
SMALLEST
LED
FLOOD



DIMENSION (Unit mm.)



PHOTOMETRIC DATA



ACCESSORY



Screw



Plastic Plug



Washers

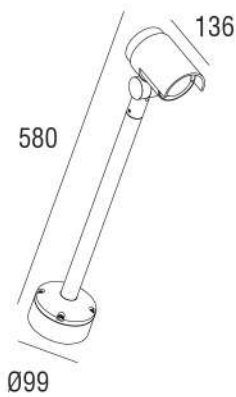
UNIT PRICE : 2,600.-

PIXIE WALL-LONG

FLOODLIGHT



DIMENSION (Unit mm.)



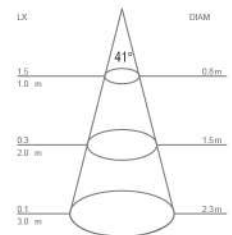
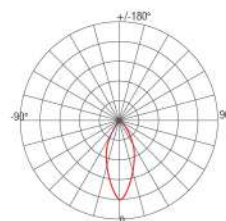
UNIT PRICE : 5,500.-



SPECIFICATION

Model	: PIXIE WALL - LONG
Item No.	: H167403
Light source	: LED Chip
Power	: 15W
Lumen	: 1500 lm
Lumen/Watt	: 100 lm/W
CCT	: 3000K
CRI	: > 80
Beam Angle	: 41°
Material	: Die-cast Aluminium
Color	: Anthracite
Paint method	: UV Powder coating
Optical cover	: Safety glass lens
Adjustable	: Yes (90°)
IP	: 65
Driver Type	: Driver on Board
Power Voltage	: 220-240V~ 50Hz
Power factor	: > 0.96
Dimension (ØxLxH)	: Ø99x580x136 mm.

PHOTOMETRIC DATA



ACCESSORY



Hex Wrench



Plastic Plug



Rubber Stopper



Screw



Optional
Tree Strap
(for small base)



Plastic spike
included

+ Installation Manual

PIXIE WALL-SHORT

FLOODLIGHT

CREE
CHIP LED

15
WATT

IP65

DIE-CAST ALUMINIUM MATERIAL

ANTHRACITE COLOR

CE

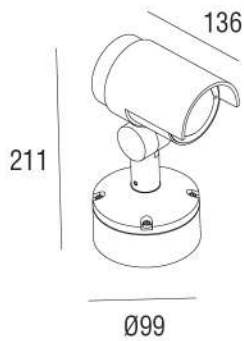
SPECIFICATION



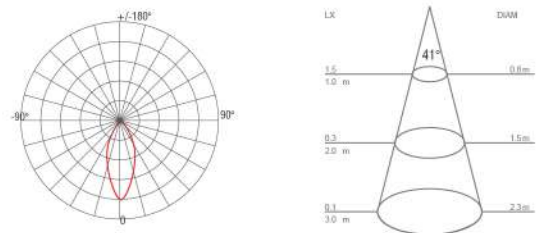
Model	: PIXIE WALL - SHORT
Item No.	: H166403
Light source	: LED Chip
Power	: 15W
Lumen	: 1500 lm
Lumen/Watt	: 100 lm/W
CCT	: 3000K
CRI	: >80
Beam Angle	: 41°
Material	: Die-cast Aluminium
Color	: Anthracite
Paint method	: UV Powder coating
Optical cover	: Safety glass lens
Adjustable	: Yes (90°)
IP	: 65
Driver Type	: Driver on Board
Power Voltage	: 220-240V~ 50Hz
Power factor	: >0.96
Dimension (WxLxH)	: Ø99x211x136 mm.



DIMENSION (Unit mm.)



PHOTOMETRIC DATA



ACCESSORY



Hex Wrench



Plastic Plug



Rubber Stopper



Screw



Optional
Tree Strap
(for small base)



Plastic spike
included

+ Installation Manual

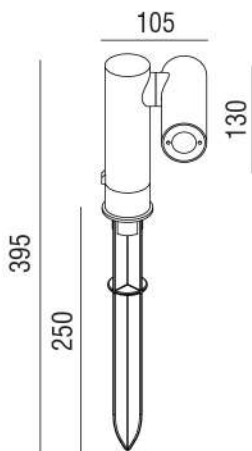
UNIT PRICE : 5,200.-

COLLIMATOR MINI

FLOODLIGHT



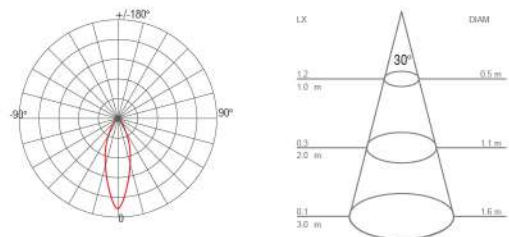
DIMENSION (Unit mm.)



SPECIFICATION

Model	: COLLIMATOR MINI
Item No.	: H1971A-03
Light source	: LED Chip
Power	: 4.5W
Lumen	: 450 lm
Lumen/Watt	: 100 lm/W
CCT	: 3000K
CRI	: >80
Beam Angle	: 30°
Material	: Die-cast Aluminium
Color	: Anthracite
Paint method	: Outdoor UV Spray Powder
Optical cover	: Safety glass lens
Adjustable	: Yes (300°)
IP	: 65
Driver Type	: Built-in Driver
Power Voltage	: 220-240V~ 50Hz
Power factor	: >0.96
Dimension (WxLxH)	: 105x130x395 mm.

PHOTOMETRIC DATA



ACCESSORY



Plastic spike

rubber stopper

Hex Wrench

+ Installation Manual

UNIT PRICE : 3,000.-

COLLIMATOR MAXI

FLOODLIGHT

**NEW
PRODUCT**

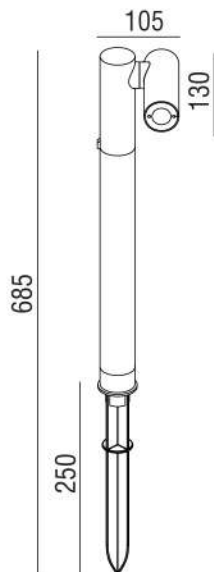
Adjustable
300°



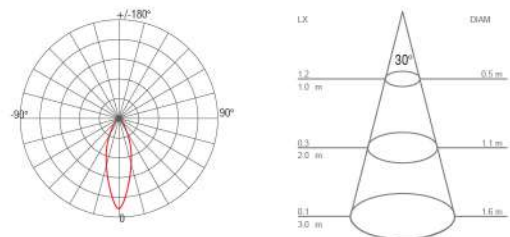
SPECIFICATION

Model	: COLLIMATOR MAXI
Item No.	: H1973A-03
Light source	: LED Chip
Power	: 4.5W
Lumen	: 450 lm
Lumen/Watt	: 100 lm/W
CCT	: 3000K
CRI	: >80
Beam Angle	: 30°
Material	: Die-cast Aluminium
Color	: Anthracite
Paint method	: Outdoor UV Spray Powder
Optical cover	: Clear glass
Adjustable	: Yes (300°)
IP	: 65
Driver Type	: Built-in Driver
Power Voltage	: 220-240V~ 50Hz
Power factor	: >0.96
Dimension (WxLxH)	: 105x130x685 mm.

DIMENSION (Unit mm.)



PHOTOMETRIC DATA



ACCESSORY



Plastic spike



rubber stopper



Hex Wrench

+ Installation Manual

UNIT PRICE : x,xxx.-

LC-WD-MB18-617Z-90

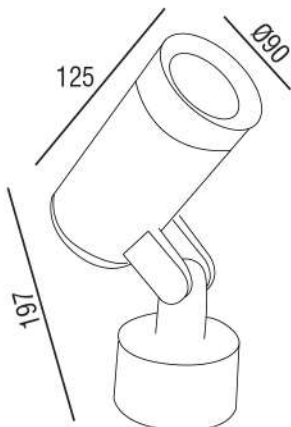
FLOODLIGHT



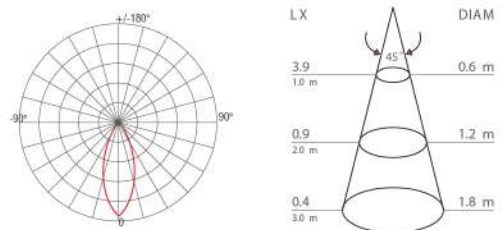
SPECIFICATION

Model	: LC-WD-MB18-617Z-90
Light source	: LED Chip
Power	: 20W
Lumen	: 2000 lm
Lumen/Watt	: 100 lm/W
CCT	: 3000K
CRI	: >80
Beam Angle	: 45°
Material	: Die-cast Aluminium
Color	: Black
Paint method	: Outdoor UV Spray Powder
Optical cover	: Safety glass lens
Adjustable	: Yes
IP	: 65
Driver Type	: Built-in Driver
Power Voltage	: 200-240V~ 50Hz
Power factor	: >0.96
Dimension (ØxLxH)	: Ø90×125×H197 mm.

DIMENSION (Unit mm.)



PHOTOMETRIC DATA



ACCESSORY



Plastic Plug



Screw



Hex Wrench

UNIT PRICE : x,xxx.-

LC-WD-MB18-616-70 HUG HOOP + LC-WD-MB23-0611 FOR HUG HOOP

TREE RING FLOODLIGHT



SPECIFICATION

(Hug Hoop)

Model	: LC-WD-MB18-616-70 HUG HOOP
Material	: Ring 201 Stainless
Color	: Dark Grey
Paint method	: Outdoor UV Spray Powder
Dimension (ØxH)	: Ø700×H50 mm. Suitable for tree diameter 250-600 mm.



(Spotlight)

Model	: LC-WD-MB23-0611 FOR HUG HOOP
Light source	: LED Chip
Power	: 8W
Lumen	: 800 lm
Lumen/Watt	: 100 lm/W
CCT	: 3000K
CRI	: >80
Beam Angle	: 36°
Material	: Aluminium
Color	: Dark Grey
Paint method	: Outdoor UV Spray Powder
Optical cover	: Glass
Adjustable	: Yes
IP	: 65
Driver Type	: Built-in Driver
Power Voltage	: 200-240V~ 50Hz
Power factor	: >0.96
Dimension (WxLxH)	: 65x65x105 mm.



ACCESSORY



Cable 2 m.

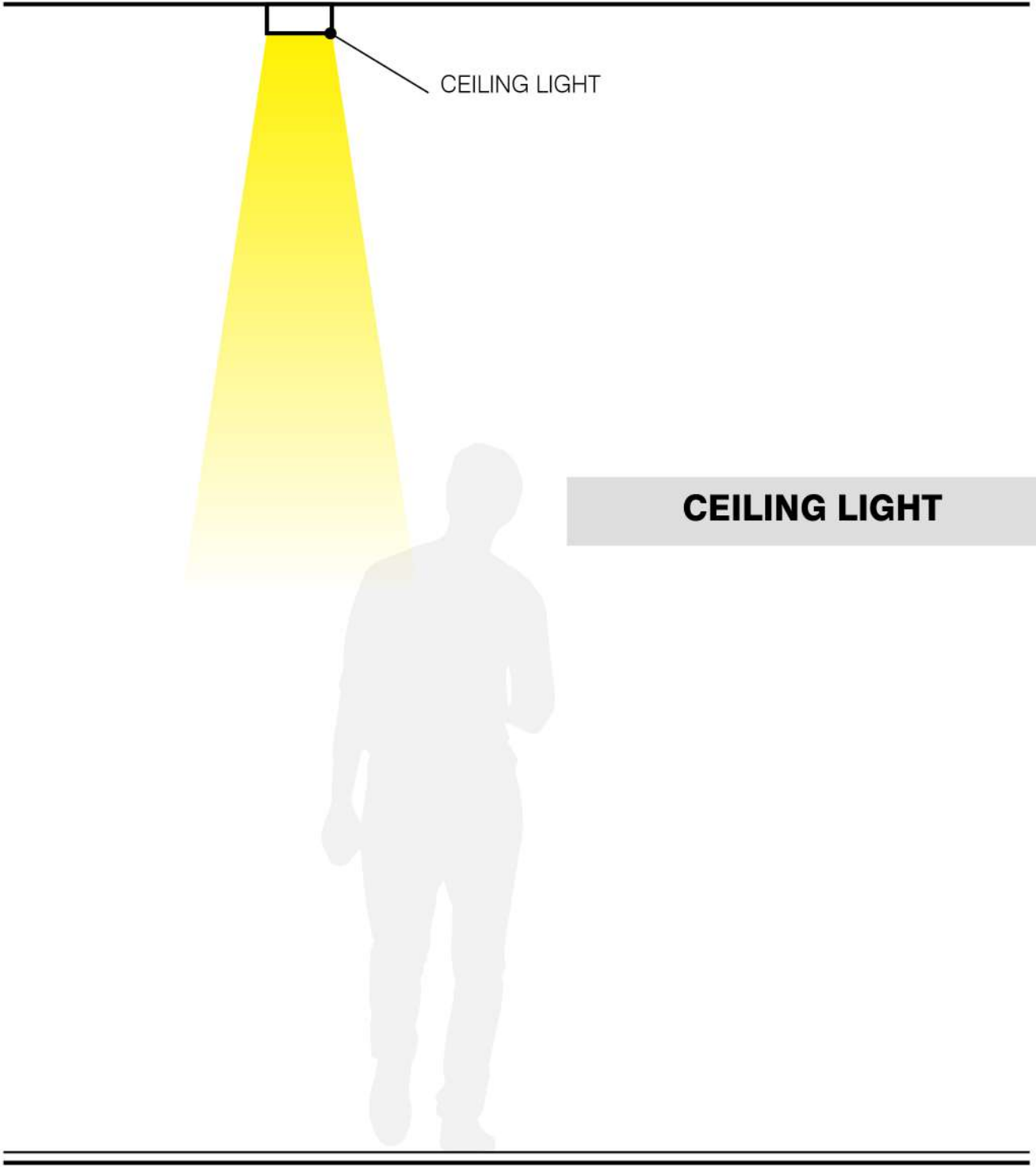


Hex Wrench



Bracket

UNIT PRICE : x,xxx.-



CEILING LIGHT

CEILING LIGHT

POINTER

CEILING LIGHT

CREE
CHIP LED

9
WATT

IP65

DIE-CAST
ALUMINIUM
MATERIAL

ANTHRACITE
COLOR

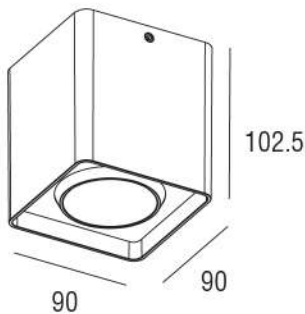
CE



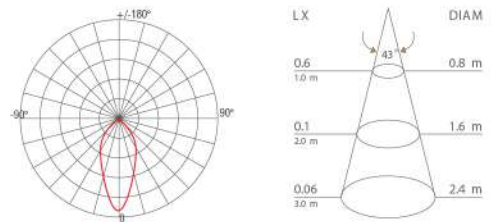
SPECIFICATION

Model	: POINTER
Item No.	: 2160103
Light source	: LED Chip
Power	: 9W
Lumen	: 900 lm
Lumen/Watt	: 100 lm/W
CCT	: 3000K
CRI	: >80
Beam Angle	: 43°
Material	: Die-cast Aluminium
Color	: Anthracite
Paint method	: Outdoor UV Spray Powder
Optical cover	: Safety glass lens
Adjustable	: Yes 20°
IP	: 65
Driver Type	: Built-in Driver
Power Voltage	: 220-240V~ 50Hz
Power factor	: >0.96
Dimension (WxLxH)	: 90×90×102.5 mm.

DIMENSION (Unit mm.)



PHOTOMETRIC DATA



ACCESSORY

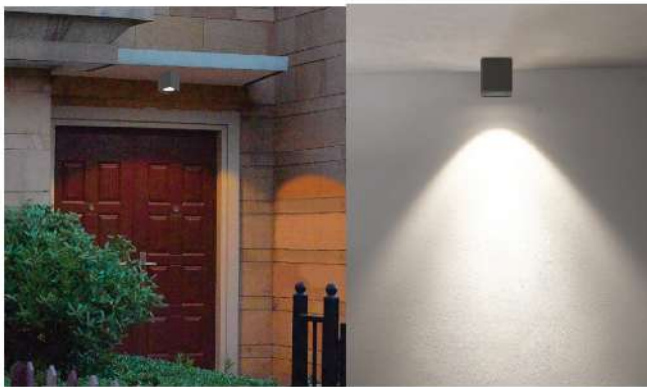


+ Installation Manual

UNIT PRICE : 4,000.-

BRIGHTER

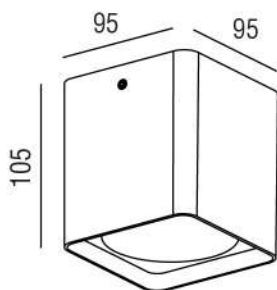
CEILING LIGHT



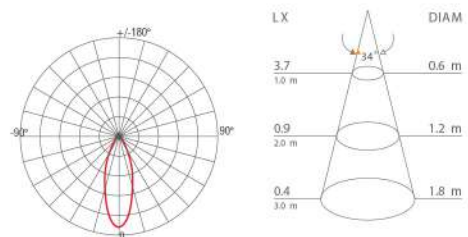
SPECIFICATION

Model	: BRIGHTER
Item No.	: H199103
Light source	: LED Chip
Power	: 20W
Lumen	: 2000 lm
Lumen/Watt	: 100 lm/W
CCT	: 3000K
CRI	: >80
Beam Angle	: 34°
Material	: Die-cast Aluminium
Color	: Anthracite
Paint method	: Outdoor UV Spray Powder
Optical cover	: Safety glass lens
Adjustable	: -
IP	: 65
Driver Type	: Driver on Board
Power Voltage	: 220-240V~ 50Hz
Power factor	: >0.96
Dimension (WxLxH)	: 95×95×105 mm.

DIMENSION (Unit mm.)



PHOTOMETRIC DATA



ACCESSORY



Plastic Plug



rubber stopper



Screw



Hex Wrench

+ Installation Manual

UNIT PRICE : 5,800.-

AVO ROUND

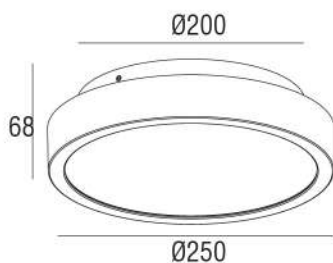
CEILING LIGHT



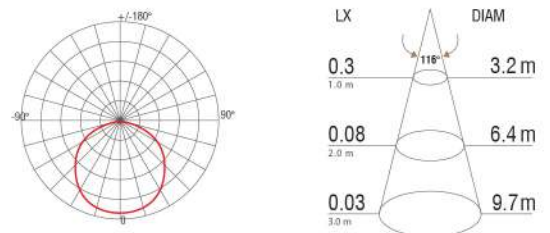
SPECIFICATION

Model	: AVO ROUND
Item No.	: 1020103
Light source	: LED Chip
Power	: 18W
Lumen	: 1800 lm
Lumen/Watt	: 100 lm/W
CCT	: 3000K
CRI	: >80
Beam Angle	: 116°
Material	: Die-cast Aluminium
Color	: Anthracite
Paint method	: Outdoor UV Spray Powder
Optical cover	: Safety glass lens
Adjustable	: -
IP	: 54
Driver Type	: Built-in Driver
Power Voltage	: 220-240V~ 50Hz
Power factor	: >0.96
Dimension (ØxH)	: Ø250×68 mm.

DIMENSION (Unit mm.)



PHOTOMETRIC DATA

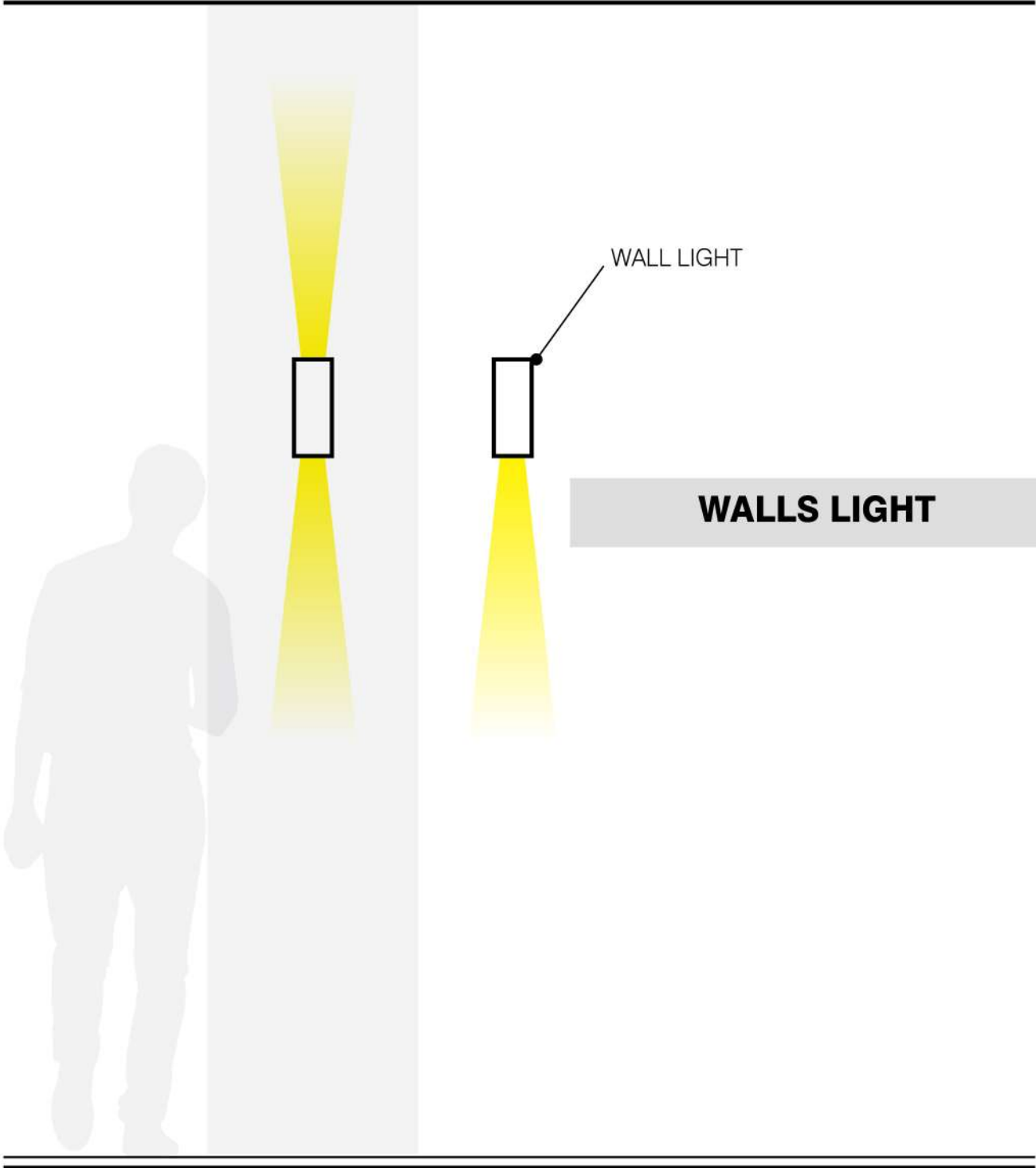


ACCESSORY



+ Installation Manual

UNIT PRICE : 4,200.-

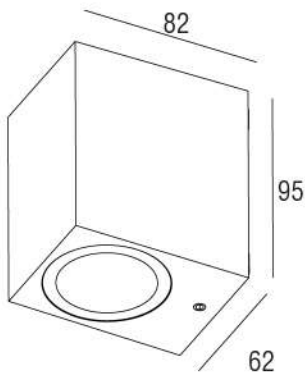


DUAL MINI

WALL LIGHT



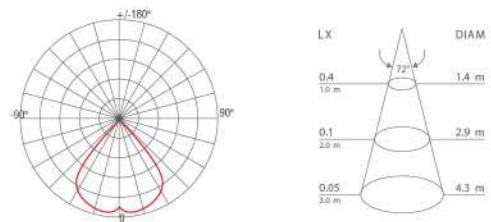
DIMENSION (Unit mm.)



SPECIFICATION

Model	: DUAL MINI
Item No.	: H262203
Light source	: LED Chip
Power	: 7W
Lumen	: 700 lm
Lumen/Watt	: 100 lm/W
CCT	: 3000K
CRI	: >80
Beam Angle	: 72°
Material	: Die-cast Aluminium
Color	: Anthracite
Paint method	: Outdoor UV Spray Powder
Optical cover	: Safety glass lens
Adjustable	: -
IP	: 65
Driver Type	: Built-in Driver
Power Voltage	: 220-240V~ 50Hz
Power factor	: >0.96
Dimension (WxLxH)	: 62×82×95 mm.

PHOTOMETRIC DATA



ACCESSORY



Hex Wrench



Screw



Plastic Plug



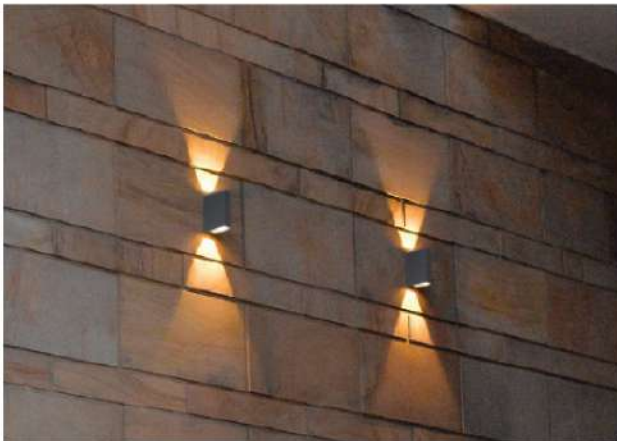
Rubber Stopper

+ Installation Manual

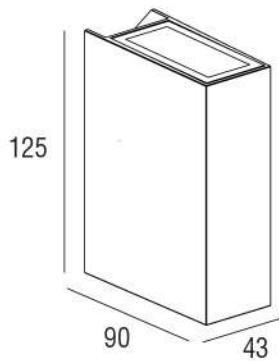
UNIT PRICE : 3,900.-

ILOS

WALL LIGHT



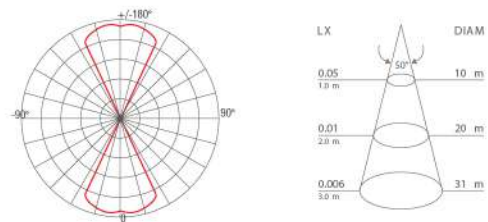
DIMENSION (Unit mm.)



SPECIFICATION

Model	: ILOS
Item No.	: 1130103
Light source	: LED Chip
Power	: 2x4W
Lumen	: 2x400 lm
Lumen/Watt	: 100 lm/W
CCT	: 3000K
CRI	: >80
Beam Angle	: 50°
Material	: Die-cast Aluminium
Color	: Anthracite
Paint method	: Outdoor UV Spray Powder
Optical cover	: Safety glass lens
Adjustable	: -
IP	: 65
Driver Type	: Built-in Driver
Power Voltage	: 220-240V~ 50Hz
Power factor	: >0.96
Dimension (WxLxH)	: 90×43×125mm.

PHOTOMETRIC DATA



ACCESSORY



Hex Wrench



Screw



Plastic Plug



Rubber Stopper

+ Installation Manual

UNIT PRICE : 3,900.-

LC-WALL LAMP E001

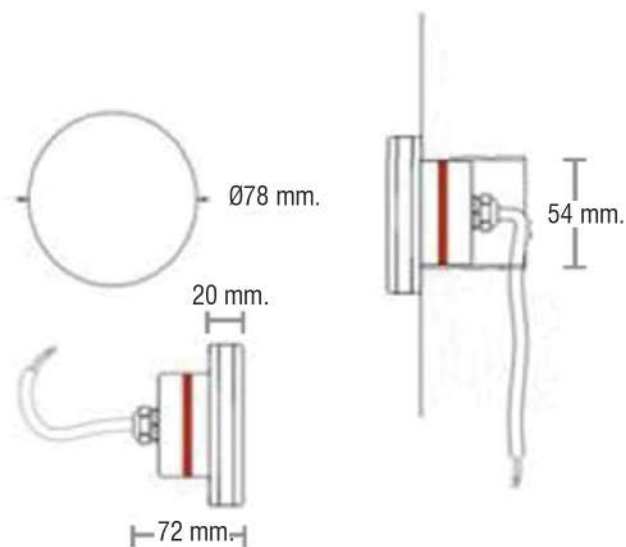
WALL LIGHT



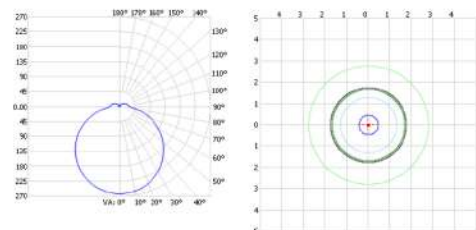
SPECIFICATION

Model	: LC-WALL LAMP E001
Light source	: LED Chip
Power	: 4W
Lumen	: 400 lm
Lumen/Watt	: 100 lm/W
CCT	: 3000K
CRI	: >80
Beam Angle	: -
Material	: Stainless steel
Color	: White
Paint method	: Powder coating
Optical cover	: Optical lens
Adjustable	: -
IP	: 65
Driver Type	: Built-in Driver
Power Voltage	: DC 24V
Power factor	: >0.96
Dimension (ØxH)	: Ø78×72 mm.

DIMENSION (Unit mm.)



PHOTOMETRIC DATA

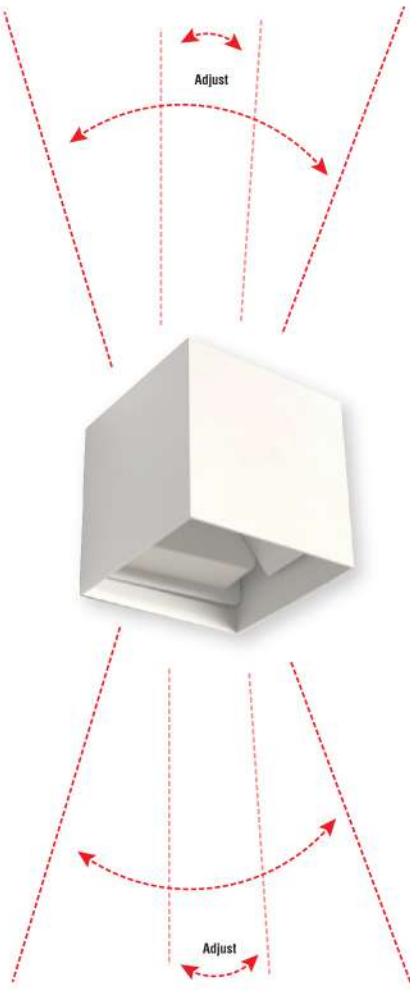


UNIT PRICE : 3,500.-

LC-WALL LIGHT-100

WALL LIGHT

Adjustable



G9 LAMP LED	IP65	ALUMINIUM MATERIAL	WHITE COLOR
-----------------------	-------------	-----------------------	----------------

SPECIFICATION

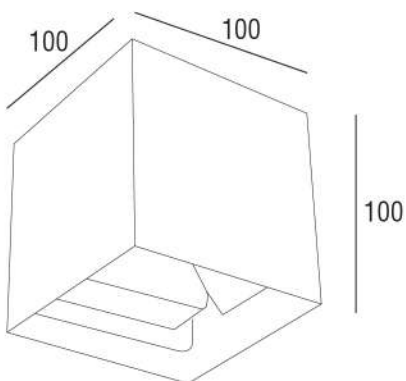
Model	: LC-WALL LIGHT-100
Light source	: 1 x LED G9 (Waterproof Socket IP65)
Power	: 3.2W
Material	: Aluminium
Color	: White
Paint method	: Outdoor UV Spray Powder
Adjustable	: Yes
IP	: 65
Power Voltage	: 220V-240V~ 50Hz
Dimension (WxLxH)	: 100x100x100 mm.

LIGHT SOURCE



LED G9

DIMENSION (Unit mm.)



UNIT PRICE : x,xxx.-

LC-YL-HALO-2023-W

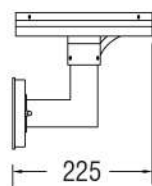
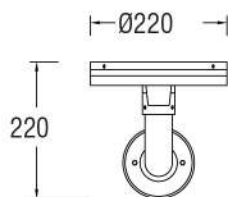
WALL LIGHT



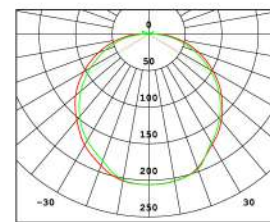
SPECIFICATION

Model	: LC-YL-HALO-2023-W
Light source	: LED Chip
Power	: 10W
Lumen	: 656 lm
Lumen/Watt	: 65 lm/W
CCT	: 3000K
CRI	: >80
Beam Angle	: 114°
Material	: Die-cast Aluminum housing Extruded Aluminum pole
Color	: Matt Anthracite (V322401S)
Paint method	: Outdoor UV Spray Powder
Optical cover	: Opal PC lens
Adjustable	: -
IP	: 65
Driver Type	: Built-in Driver
Power Voltage	: 220V-240V~ 50Hz
Power factor	: >0.96
Dimension (ØxWxH)	: Ø220×225×H220 mm.

DIMENSION (Unit mm.)



PHOTOMETRIC DATA



UNIT PRICE : x,xxx.-

LC-WD-B135-ADJUST

WALL LIGHT

LUMILEDS
CHIP LED

60
WATT

IP65

ALUMINIUM MATERIAL

MATT ANTHRACITE COLOR

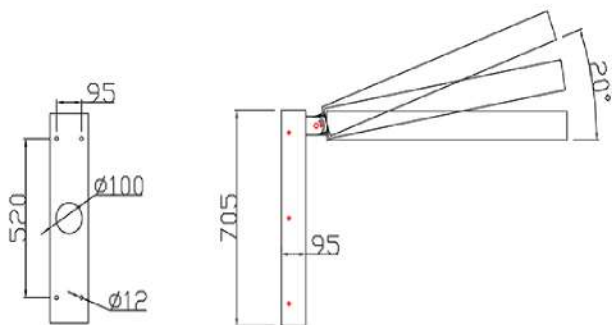
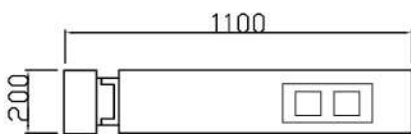


SPECIFICATION

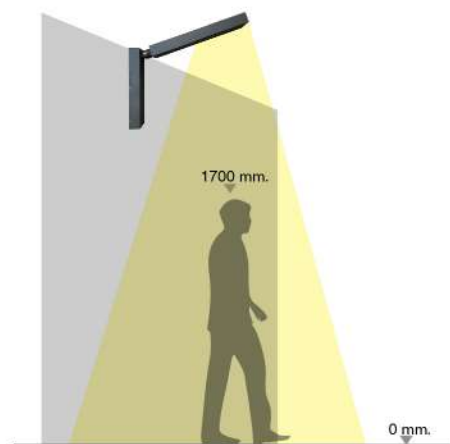
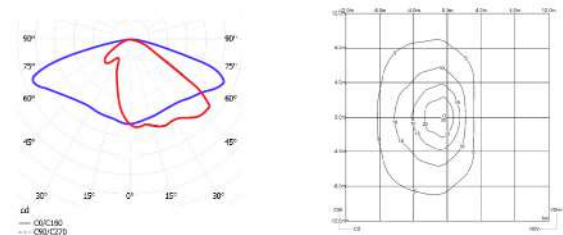
Model	: LC-WD-B135-ADJUST
Light source	: LED Chip
Power	: 60W
Lumen	: 6960 lm
Lumen/Watt	: 116 lm/w
CCT	: 4000K
CRI	: >80
Beam Angle	: 152°x 72°
Material	: Aluminium
Color	: Matt Anthracite (V322401S)
Paint method	: Outdoor UV Spray Powder
Optical cover	: Tempered clear glass
Adjustable	: 90°-110°
IP	: 65
Driver Type	: External Driver meanwell
Power Voltage	: 220-240V AC 50/60Hz
Power factor	: >0.96
Dimension (WxLxH)	: 200x1100x705 mm.



DIMENSION (Unit mm.)



PHOTOMETRIC DATA



UNIT PRICE : x,xxx.-

VIDO GROUND TOP

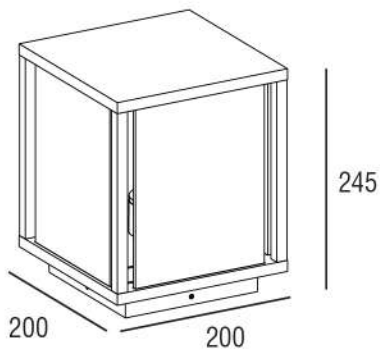
WALL LIGHT



SPECIFICATION

Model	: VIDO GROUND TOP
Item No.	: 146403
Light source	: E27 (socket IP65)
Power	: MAX.15 WATT (A60)
Material	: Die-cast Aluminium
Color	: Anthracite
Paint method	: Outdoor UV Spray Powder
Optical cover	: Clear glass
Adjustable	: -
IP	: 54
Driver Type	: -
Power Voltage	: 220V-240V~ 50Hz
Power factor	: -
Dimension (WxLxH)	: 200×200×245mm.

DIMENSION (Unit mm.)



ACCESSORY



Hex Wrench



Screw



Plastic Plug

+ Installation Manual

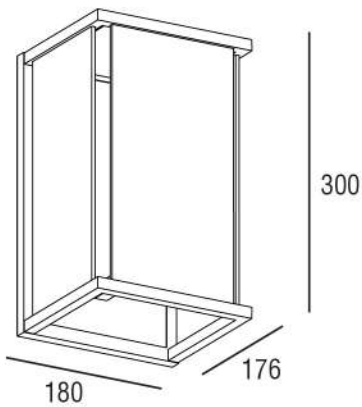
UNIT PRICE : 4,700.-

VIDO

WALL LIGHT



DIMENSION (Unit mm.)



SPECIFICATION

Model	: VIDO
Item No.	: 146103
Light source	: E27 (socket IP65)
Power	: MAX.15 WATT (A60)
Material	: Die-cast Aluminium
Color	: Anthracite
Paint method	: Outdoor UV Spray Powder
Optical cover	: Clear glass
Adjustable	: -
IP	: 54
Driver Type	: -
Power Voltage	: 220V-240V~ 50Hz
Power factor	: -
Dimension (WxLxH)	: 180×176×300 mm.



ACCESSORY



Hex Wrench



Screw



Plastic Plug

+ Installation Manual

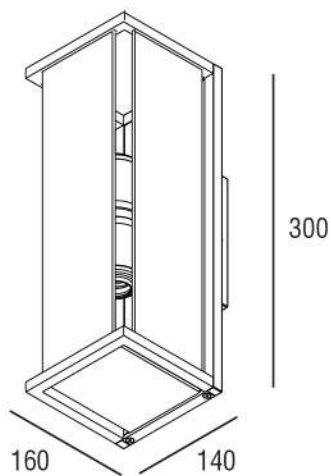
UNIT PRICE : 4,700.-

VIDO WALL MAXI

WALL LIGHT



DIMENSION (Unit mm.)



2xE27
LAMP

IP54

DIE-CAST
ALUMINIUM
MATERIAL

ANTHRACITE
COLOR

CE

SPECIFICATION

Model	: VIDO WALL MAXI
Item No.	: 146203
Light source	: 2xE27 (socket IP65)
Power	: MAX.15 WATT (A60)
Material	: Die-cast Aluminium
Color	: Anthracite
Paint method	: Outdoor UV Spray Powder
Optical cover	: Clear glass
Adjustable	: -
IP	: 54
Driver Type	: -
Power Voltage	: 220V-240V~ 50Hz
Power factor	: -
Dimension (WxLxH)	: 140×160×300 mm.



ACCESSORY



Hex Wrench



Screw



Plastic Plug

+ Installation Manual

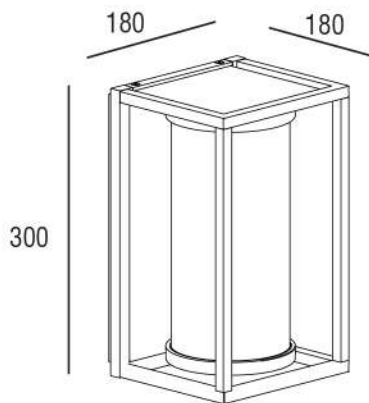
UNIT PRICE : 5,200.-

VIDO ULTRA WALL LIGHT

WALL LIGHT



DIMENSION (Unit mm.)



SPECIFICATION

Model	: VIDO ULTRA WALL LIGHT
Item No.	: H3031-AN
Light source	: E27 (socket IP65)
Power	: MAX.15 WATT (A60)
Material	: Die-cast Aluminium
Color	: Anthracite
Paint method	: Outdoor UV Spray Powder
Optical cover	: Clear glass
Adjustable	: -
IP	: 54
Driver Type	: -
Power Voltage	: 220V-240V~ 50Hz
Power factor	: -
Dimension (WxLxH)	: 180×180×300mm.



ACCESSORY



Hex Wrench



Screw



Plastic Plug

+ Installation Manual

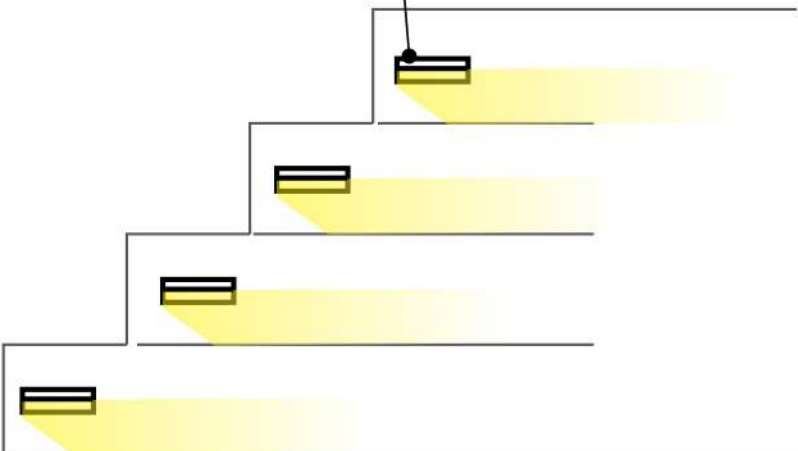
UNIT PRICE : 4,700.-



STEP LIGHT



STEP LIGHT



LC-WD-MB18-QJ17

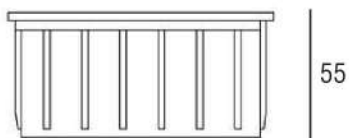
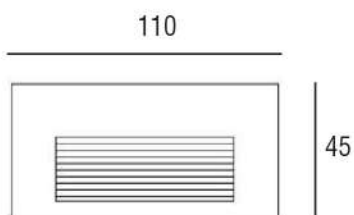
STEPLIGHT



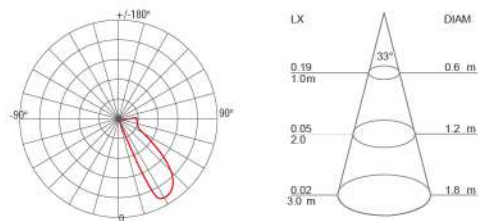
SPECIFICATION

Model	: LC-WD-MB18-QJ17
Light source	: LED Chip
Power	: 3W
Lumen	: 300 lm
Lumen/Watt	: 100 lm/W
CCT	: 3000K
CRI	: >80
Beam Angle	: 33°
Material	: Aluminum+ glass
Color	: Black
Paint method	: Outdoor UV Spray Powder
Optical cover	: Safety glass lens
Adjustable	: -
IP	: 65
Driver Type	: Built-in Driver
Power Voltage	: 110-240V~50Hz
Power factor	: >0.96
Dimension (WxLxH)	: 110×55×H45 mm.
Cut Out (WxLxH)	: 105×43×50 mm.

DIMENSION (Unit mm.)



PHOTOMETRIC DATA



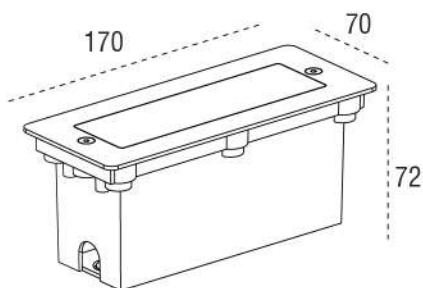
UNIT PRICE : 1,500.-

STEP LIGHT

STEPLIGHT



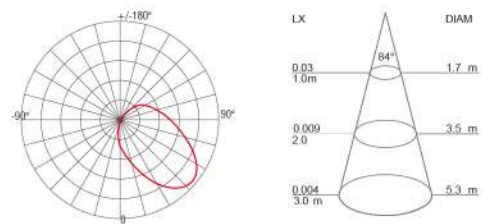
DIMENSION (Unit mm.)



SPECIFICATION

Model	: STEP LIGHT
Item No.	: 279103-LED
Light source	: LED Chip
Power	: 3W
Lumen	: 300 lm
Lumen/Watt	: 100 lm/W
CCT	: 3000K
CRI	: >80
Beam Angle	: 84°
Material	: 304 grade stainless steel cover
Color	: Stainless steel
Paint method	: Outdoor UV Spray Powder
Optical cover	: Frost PC diffuser
Adjustable	: -
IP	: 65
Driver Type	: Built-in Driver
Power Voltage	: 220-240V~50Hz
Power factor	: >0.96
Dimension (WxLxH)	: 72×70×170 mm.

PHOTOMETRIC DATA



ACCESSORY



Screw



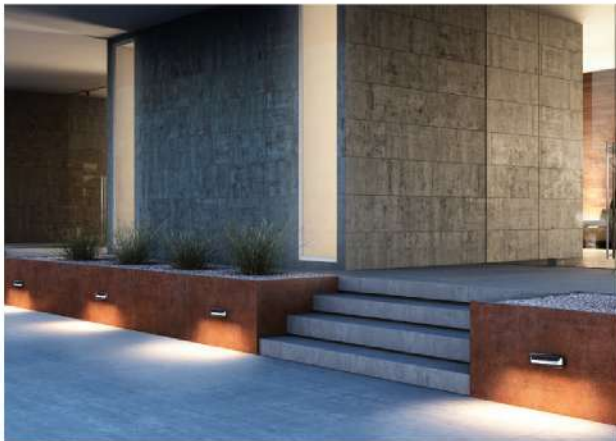
Hex Wrench

+ Installation Manual

UNIT PRICE : 4,000.-

TRICK

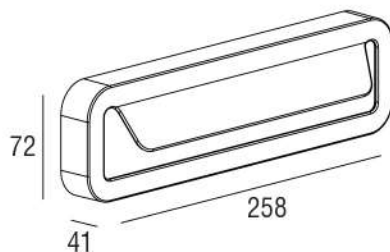
STEPLIGHT



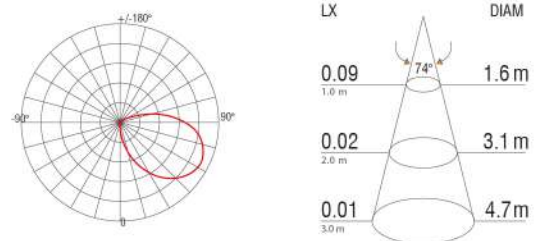
SPECIFICATION

Model	: TRICK
Item No.	: 1820103
Light source	: LED Chip
Power	: 15W
Lumen	: 1500 lm
Lumen/Watt	: 100 lm/W
CCT	: 3000K
CRI	: >80
Beam Angle	: 74°
Material	: Die-cast Aluminium
Color	: Anthracite
Paint method	: Outdoor UV Spray Powder
Optical cover	: Safety glass lens
Adjustable	: -
IP	: 65
Driver Type	: Built-in Driver
Power Voltage	: 220-240V~50Hz
Power factor	: >0.96
Dimension (WxLxH)	: 41×258×72 mm.

DIMENSION (Unit mm.)



PHOTOMETRIC DATA



ACCESSORY

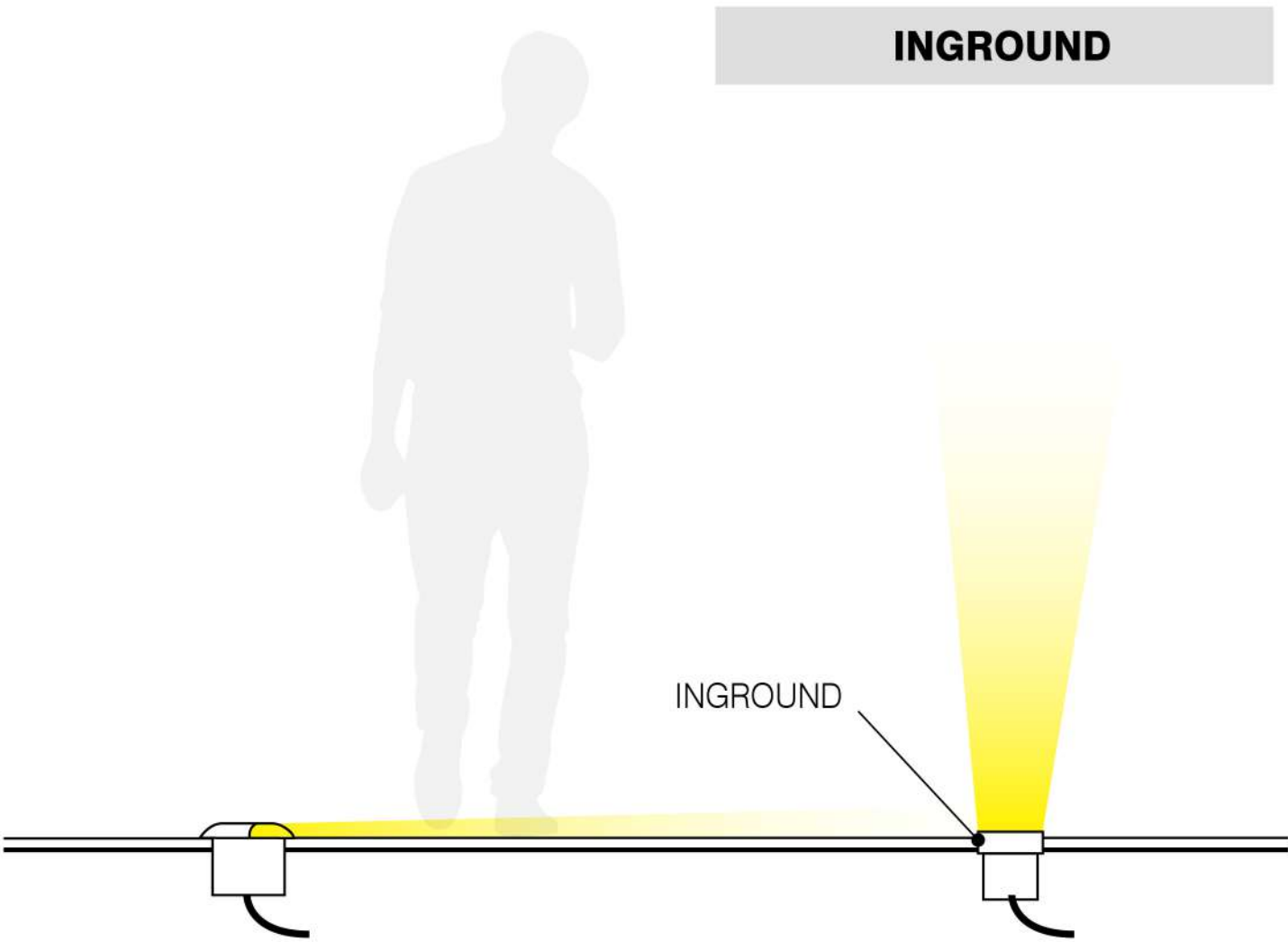


+ Installation Manual

UNIT PRICE : 4,500.-

INGROUND

INGROUND



H121103 , H121203

INGROUND



7w
700lm

H121103
(1660103)



one side

7w
700lm

H121203



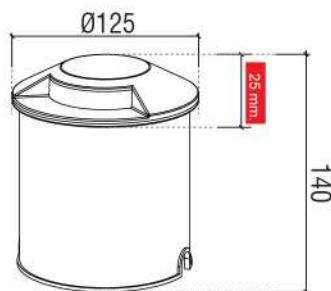
two side



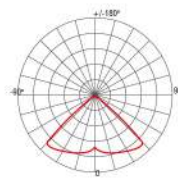
SPECIFICATION

Model	: H121103 , H121203
Light source	: LED Chip
Power	: 1x7W
Lumen	: 700 lm
Lumen/Watt	: 100 lm/W
CCT	: 3000K
CRI	: >80
Beam Angle	: 110° , 99°
Material	: Die-cast Aluminium
Color	: Anthracite
Paint method	: UV Powder coating
Optical cover	: Clear PC
Adjustable	: -
IP	: 67
Driver Type	: Built-in Driver
Power Voltage	: 220-240 VAC 50Hz
Power factor	: >0.96
Dimension (ØxH)	: Ø125×140 mm.

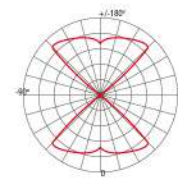
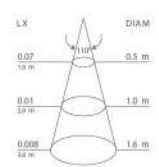
DIMENSION (Unit mm.)



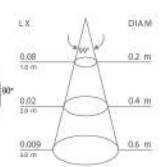
PHOTOMETRIC DATA



H121103



H121203



*500kg static weight allowed

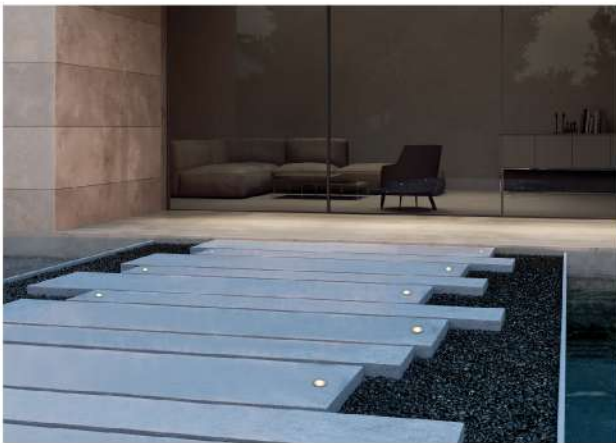
H121103

UNIT PRICE : 5,200.-

H121203

UNIT PRICE : 5,200.-

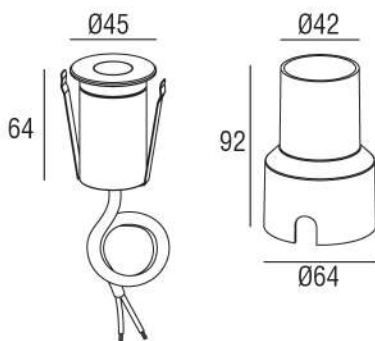
UP
INGROUND



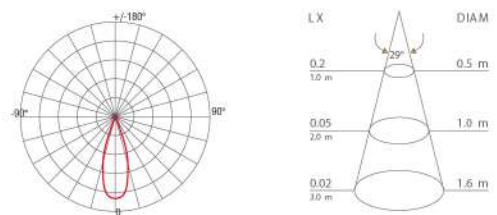
SPECIFICATION

Model	: UP
Item No.	: 2190103
Light source	: LED Chip
Power	: 1W
Lumen	: 100 lm
Lumen/Watt	: 100 lm/W
CCT	: 3000K
CRI	: >80
Beam Angle	: 29°
Material	: 304 grade stainless steel
Color	: stainless steel
Paint method	: -
Optical cover	: Tempered frost glass
Adjustable	: -
IP	: 67
Driver Type	: Remote-Driver
Power Voltage	: 12Vdc
Power factor	: >0.96
Dimension (ØxH)	: Ø45×64 mm.

DIMENSION (Unit mm.)



PHOTOMETRIC DATA



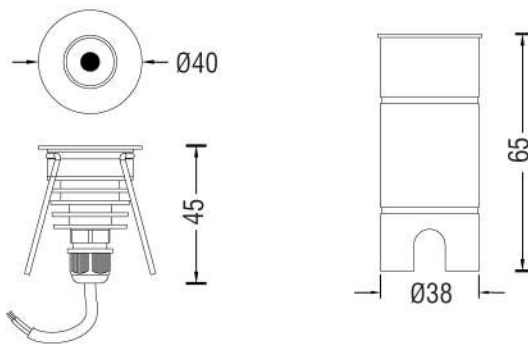
UNIT PRICE : 2,700.-

LC-UL-1001-0300-B

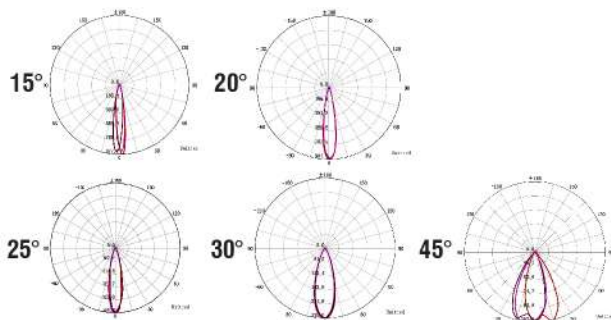
INGROUND



DIMENSION (Unit mm.)



PHOTOMETRIC DATA



UNIT PRICE : 3,000.-



SPECIFICATION

Model	: LC-UL-1001-0300-B
Light source	: LED Chip
Power	: 3W
Lumen	: 300 lm
Lumen/Watt	: 100 lm/W
CCT	: 3000K
CRI	: >80
Beam Angle	: 15°, 20°, 25°, 30°, 45°
Material	: Stainless Steel 316
Color	: Stainless steel
Paint method	: -
Optical cover	: Step tempered glass
Adjustable	: -
IP	: 67
Driver Type	: Remote-Driver
Power Voltage	: 12Vdc
Power factor	: >0.96
Dimension (ØxH)	: Ø40×45 mm.

ACCESSORIES

Mounting Sleeve	: Passivated (Anodizing) Aluminum CNC machined .Dark grey
Clip	: With Aluminium spring that's for deck lights or ceiling lights application

HOUSING



ON GROUND



ON GROUND



DRYUP

ON GROUND

CREE CHIP LED	15 WATT	IP65	DIE-CAST ALUMINIUM MATERIAL	ANTHRACITE COLOR	CE
-------------------------	-------------------	-------------	------------------------------------	-------------------------	-----------



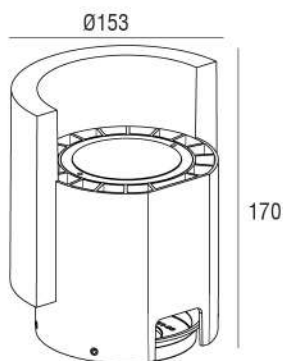
*Please contact our sale



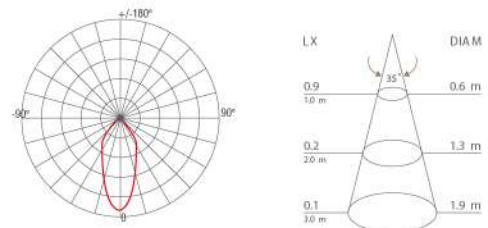
SPECIFICATION

Model	: DRYUP
Item No.	: H1281
Light source	: LED Chip
Power	: 15W
Lumen	: 1500 lm
Lumen/Watt	: 100 lm/W
CCT	: 3000K
CRI	: >80
Beam Angle	: 35°
Material	: Die-cast Aluminium
Color	: Anthracite
Paint method	: Outdoor UV Spray Powder
Optical cover	: Safety glass lens
Adjustable	: -
IP	: 65
Driver Type	: Built-in Driver
Power Voltage	: 220-240V~50Hz
Power factor	: >0.96
Dimension (ØxH)	: Ø153×170 mm.

DIMENSION (Unit mm.)



PHOTOMETRIC DATA



ACCESSORY

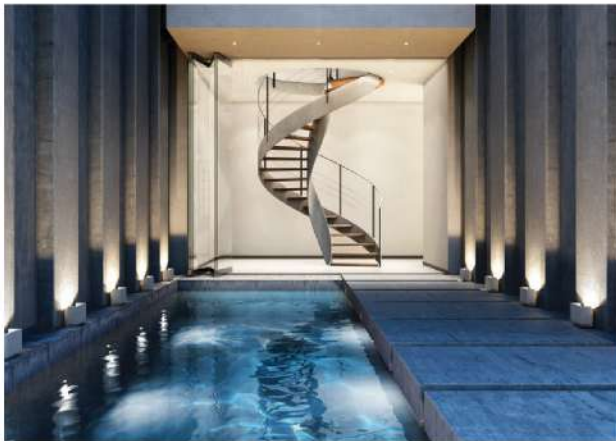


UNIT PRICE : 8,600.-

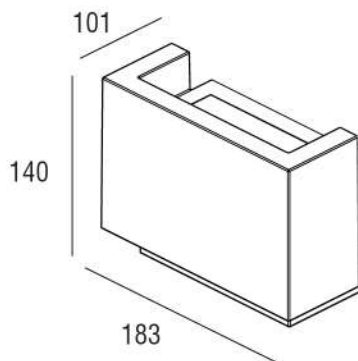
+ Installation Manual

SLOT

ON GROUND



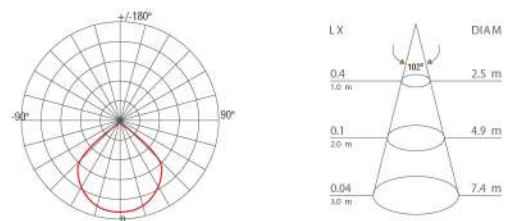
DIMENSION (Unit mm.)



SPECIFICATION

Model	: SLOT
Item No.	: 1800103
Light source	: LED Chip
Power	: 15W
Lumen	: 1500 lm
Lumen/Watt	: 100 lm/W
CCT	: 3000K
CRI	: >80
Beam Angle	: 102°
Material	: Die-cast Aluminium
Color	: Anthracite
Paint method	: Outdoor UV Spray Powder
Optical cover	: Safety glass lens
Adjustable	: -
IP	: 65
Driver Type	: Built-in Driver
Power Voltage	: 220-240V~50Hz
Power factor	: >0.96
Dimension (WxLxH)	: 101×183×140 mm.

PHOTOMETRIC DATA



ACCESSORY

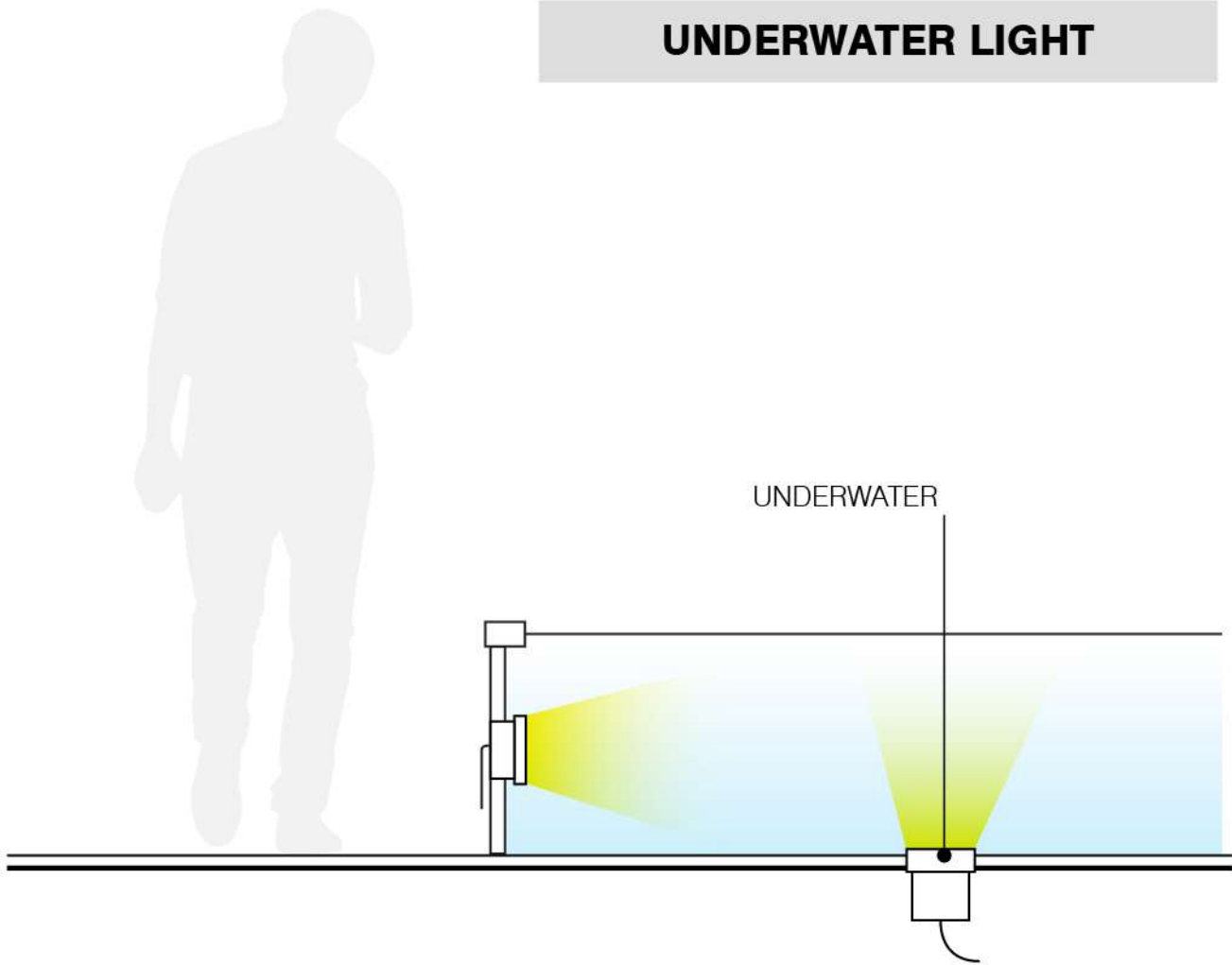


Stainless Steel Cable Gland Screw Plastic Plug Hex Wrench

+ Installation Manual

UNIT PRICE : 8,600.-

UNDERWATER LIGHT



LC-U1-7481

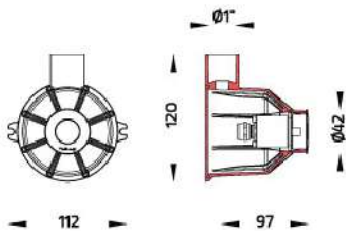
UNDERWATER LIGHT



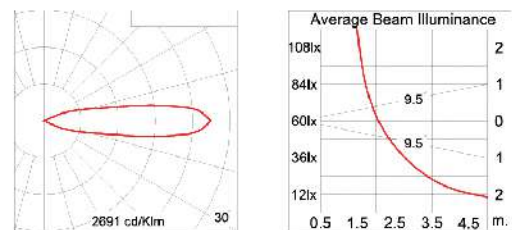
SPECIFICATION

Model	: LC-U1-7481
Light source	: LED Chip
Power	: 2.1W
Lumen	: 190 lm
Lumen/Watt	: 90 lm/W
CCT	: 3000K
CRI	: >80
Beam Angle	: 19°
Material	: Stainless Steel 316
Color	: Stainless Steel
Paint method	: -
Optical cover	: Molded PC lens
Adjustable	: -
IP	: 68
Driver Type	: Remote Driver
Power Voltage	: 700mA, 2.98Vdc, Uin max 50Vdc
Power factor	: >0.96
Dimension (ØxH)	: Ø42×97 mm.

DIMENSION (Unit mm.)



PHOTOMETRIC DATA



ACCESSORY



LED Constant Current Driver
700mA 4W. In IP67 GFR
Polymer Box



IP68 "Series-Wiring LED"
Distribution Box for 1-3
Luminaires.



Housing

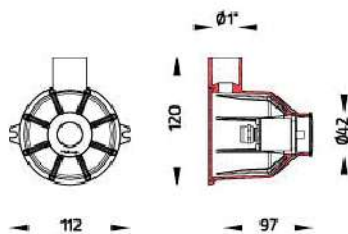
UNIT PRICE : xx,xxx.-

LC-U1-7480

UNDERWATER LIGHT



DIMENSION (Unit mm.)



LED

3.3
WATT

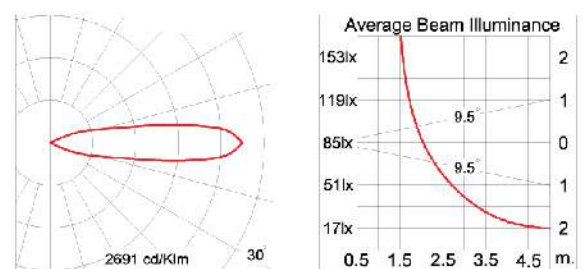
IP68

MARINE
GRADE 316
MATERIAL

SPECIFICATION

Model	: LC-U1-7480
Light source	: LED Chip
Power	: 3.3W
Lumen	: 300 lm
Lumen/Watt	: 90 lm/W
CCT	: 3000K
CRI	: >80
Beam Angle	: 19°
Material	: Stainless Steel 316
Color	: Stainless Steel
Paint method	: -
Optical cover	: Molded PC lens
Adjustable	: -
IP	: 68
Driver Type	: Remote Driver
Power Voltage	: 12Vdc/24Vdc
Power factor	: >0.96
Dimension (ØxH)	: Ø42×97 mm.

PHOTOMETRIC DATA



ACCESSORY



LED Constant Voltage Driver
12Vdc 10W. In IP67 GFR
Polymer Box



IP68 *Series-Wiring LED*
Distribution Box for 1-3
Luminaires.



Housing

UNIT PRICE : 7,800.-

LC-U1-7416

UNDERWATER LIGHT

LED

12
WATT

IP68

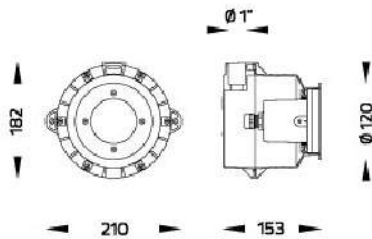
MARINE
GRADE 316
MATERIAL



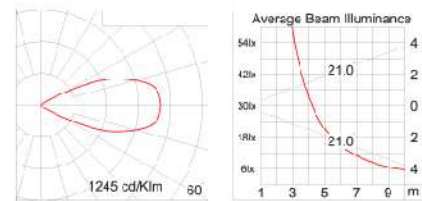
SPECIFICATION

Model	: LC-U1-7416
Light source	: LED Chip
Power	: 12W
Lumen	: 900 lm
Lumen/Watt	: 60 lm/W
CCT	: 3000K
CRI	: >80
Beam Angle	: 42°
Material	: Stainless Steel 316
Color	: Stainless Steel
Paint method	: -
Optical cover	: Molded PC lens
Adjustable	: -
IP	: 68
Driver Type	: Remote Driver
Power Voltage	: 24Vdc
Power factor	: >0.96
Dimension (ØxH)	: Ø120 ×153mm.

DIMENSION (Unit mm.)



PHOTOMETRIC DATA



ACCESSORY



Gel-Filled IP68 Connector for Through Wiring Cable
Diameter 6.5 - 12mm.



LED Constant Voltage Driver 24Vdc

UNIT PRICE : 13,000.-

LC-U1-5980

UNDERWATER LIGHT

LED

2
WATT

IP68

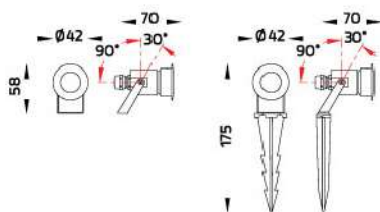
MARINE
GRADE 316
MATERIAL



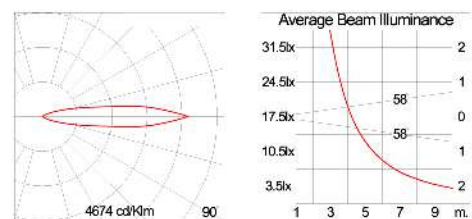
SPECIFICATION

Model	: LC-U1-5980
Light source	: LED Chip
Power	: 2W
Lumen	: 190 lm
Lumen/Watt	: 90 lm/W
CCT	: 3000K
CRI	: >90
Beam Angle	: 15°
Material	: Stainless Steel 316
Color	: Stainless Steel
Paint method	: -
Optical cover	: Molded PC lens
Adjustable	: -
IP	: 68
Driver Type	: Remote Driver
Power Voltage	: 700mA, 2.98Vdc, Uin max 50Vdc
Power factor	: >0.96
Dimension (ØxH)	: Ø42×97 mm.

DIMENSION (Unit mm.)



PHOTOMETRIC DATA



ACCESSORY



LED Constant Current Driver 700mA 4W. In IP67 GFR Polymer Box (On-Off)



IP68 *Series-Wiring LED* Distribution Box for 1-3 Luminaires.

UNIT PRICE : xx,xxx.-

LC-U1-7417

UNDERWATER LIGHT

LED

12
WATT

IP68

MARINE
GRADE 316
MATERIAL

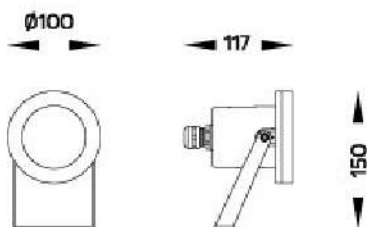
SPECIFICATION



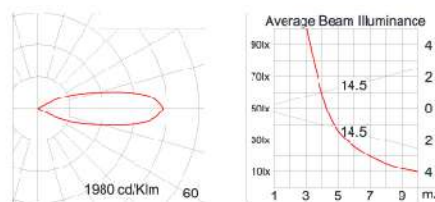
Model	: LC-U1-7417
Light source	: LED Chip
Power	: 12W
Lumen	: 900 lm
Lumen/Watt	: 60 lm/W
CCT	: 3000K
CRI	: >80
Beam Angle	: 42°
Material	: Stainless Steel 316
Color	: Stainless Steel
Paint method	: -
Optical cover	: Molded PC lens
Adjustable	: Yes
IP	: 68
Driver Type	: Remote Driver
Power Voltage	: 24Vdc
Power factor	: >0.96
Dimension (ØxH)	: Ø100×117mm.



DIMENSION (Unit mm.)



PHOTOMETRIC DATA



ACCESSORY

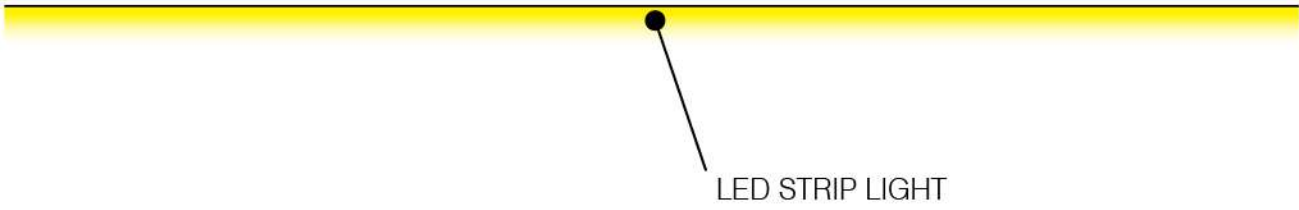


Gel-Filled IP68 Connector for Through Wiring Cable Diameter 6.5 - 12mm.



LED Constant Voltage Driver 24Vdc

UNIT PRICE : 12,000.-



LED STRIP LIGHT



LC-LED STRIP-4.8W

LED STRIP LIGHT

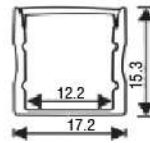
LED	4.8 Watt/m.	IP20	IP67
------------	-----------------------	-------------	-------------

SPECIFICATION

Light source	:	3528 SMD LED
LED Quantity	:	30 pcs. LED/m.
Power	:	14.4W
Power Voltage	:	12V DC
Package	:	5m. / Reel
CRI	:	>90
Beam Angle	:	120°
CCT	:	3000K



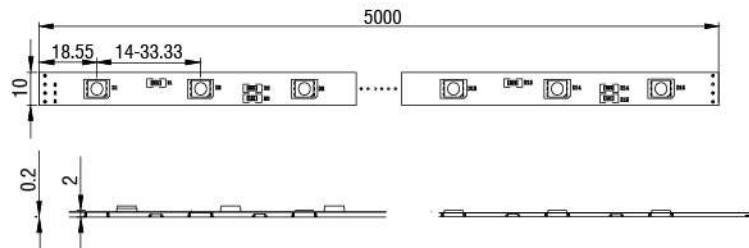
ACCESSORY



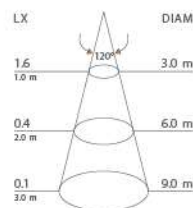
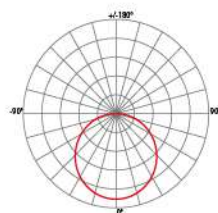
Model : Y-A004-f 2x4 Aluminium Track
Pmma Opal Matte Diffuser L :1m.

Unit Price : xxx.-

DIMENSION (Unit mm.)



PHOTOMETRIC DATA



LC-LED STRIP-7.2W

LED STRIP LIGHT

LED

7.2
WATT/m.

IP67

SPECIFICATION



Light source	: 5050 SMD LED
LED Quantity	: 30 pcs. LED/m.
Power	: 7.2W
Power Voltage	: 12V DC
Package	: 5m. / Reel
CRI	: >90
Beam Angle	: 120°



Item No.	CCT	Unit Price
LC-GL-S5050W-30	5000K - 7000K	600.-
LC-GL-S5050WW-30	2500K - 3500K	600.-
LC-GL-S5050RGB-30	RGB	800.-

ACCESSORY

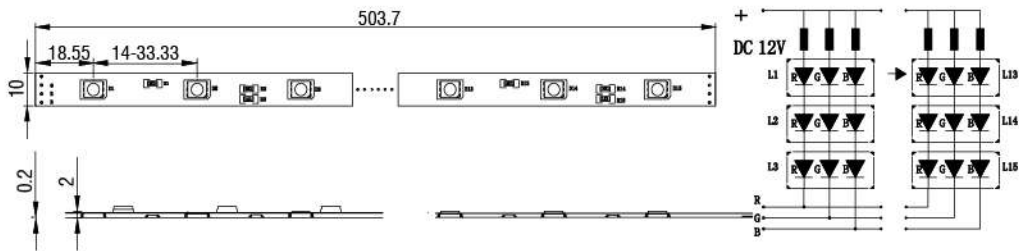


MODEL : Aluminium C Tack L : 1 m.

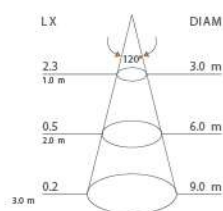
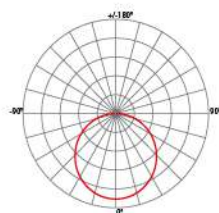


Y-A002-F Aluminium cover L : 1 m.

DIMENSION (Unit mm.)



PHOTOMETRIC DATA



LC-LED STRIP-14.4W

LED STRIP LIGHT

LED

14.4
WATT/m.

IP67

SPECIFICATION



Light source	: 5050 SMD LED
LED Quantity	: 60 pcs. LED/m.
Power	: 14.4W
Power Voltage	: 12V DC
Package	: 5m. / Reel
CRI	: >90
Beam Angle	: 120°



Item No.	CCT	Unit Price
LC-GL-S5050W-60	6500K	800.-
LC-GL-S5050CW-60	4000K	800.-
LC-GL-S5050WW-60	3000K	800.-
LC-GL-S5050RGB-60	RGB	1,000.-

ACCESSORY

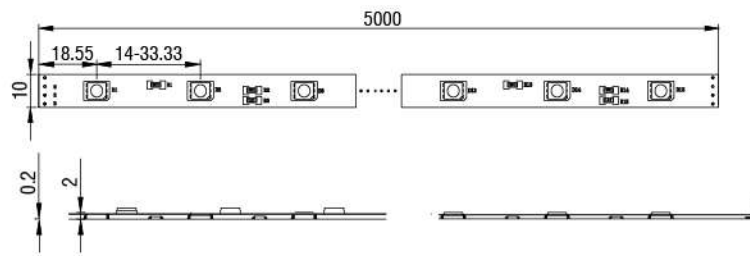


MODEL : Aluminium C Tack L : 1 m.

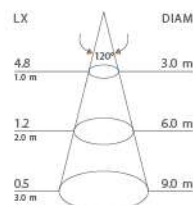
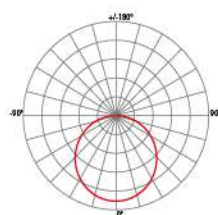


Y-A002-F Aluminium cover L : 1 m.

DIMENSION (Unit mm.)

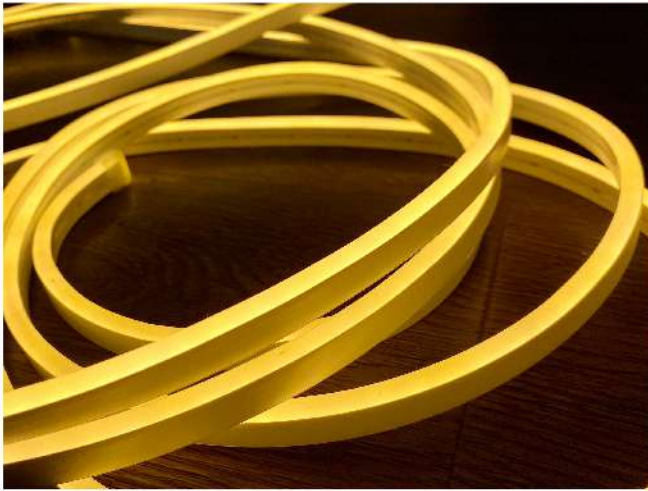


PHOTOMETRIC DATA



LC-LED Neon Flex 6×12mm.

LED Neon Flex



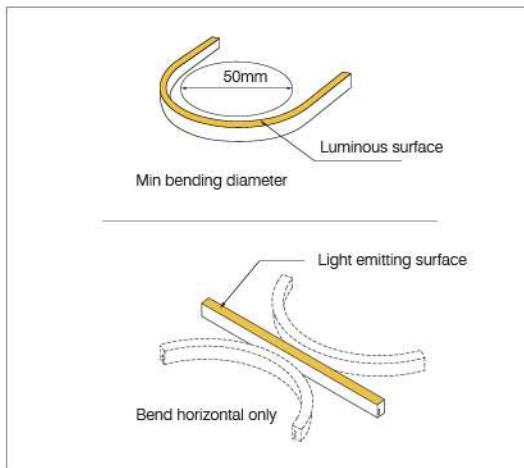
LED

6
WATT/m.

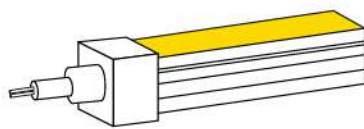
IP67

SPECIFICATION

Watt	: 6W/m.
Light source	: LED
Lumen	: 179 lm/m.
Lumen/Watt	: 29.8 lm/W
CCT	: 3000K
CRI	: > 80
Beam Angle	: 120°
Material	: Silicone
IP	: 67
Driver Type	: Remote Driver
Power Voltage	: 24Vdc
Dimension (ØxH) mm.	: 6 x 5000 x 12 mm.
Cutting (mm.)	: 50 mm.



ENTRY CABLE



Direct End Entry Cable

ACCESSORIES



1 X คลิปล็อกวางแผ่นแอล
กรงดกุง L: 1m

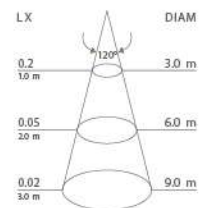
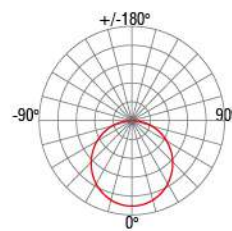


End Cap

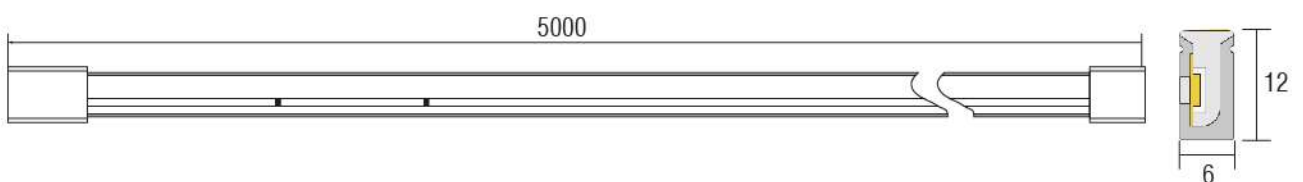


Cliplock

PHOTOMETRIC DATA



DIMENSION (Unit mm.)



LC-LUX-N0612V24-CV N0612 SIDE VIEW

LED NEON FLEX

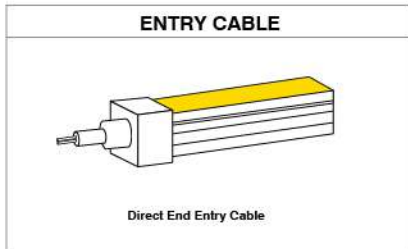
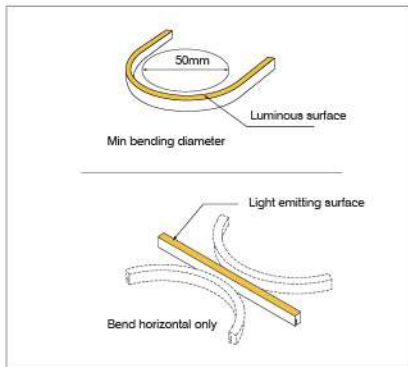
LED **10** WATT/m. IP67



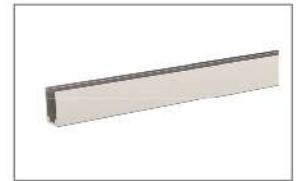
SPECIFICATION

Watt	: 10W/m.
Light source	: 2835 SMD LED
Lumen	: 299 lm/m.
Lumen/Watt	: 29.9 lm/W
CCT	: 3000K
CRI	: >80
Beam Angle	: 120°
Material	: Silicone
IP	: 67
Driver Type	: Remote Driver
Power Voltage	: 24V DC
Dimension (ØxH) mm.	: 6 x 5000 x 12 mm.
Cutting (mm.)	: 50 mm.

ACCESSORIES



Aluminium mounting clips
19.7x8x13mm(L x W x H)



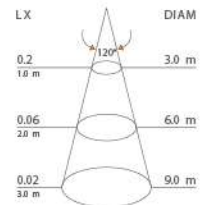
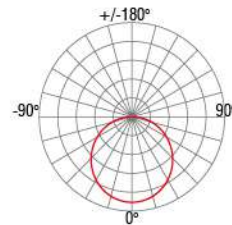
Aluminium profile
1000x8x13mm(L x W x H)

CUTTING MARK

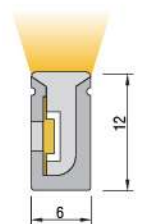
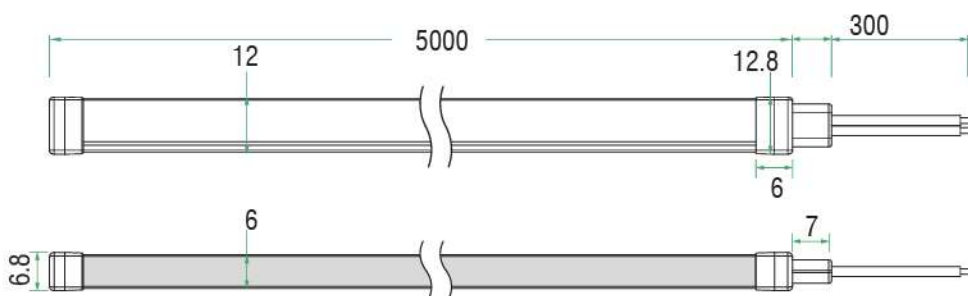


The bottom of the led strip has transparent window, the black marker is the cutting position

PHOTOMETRIC DATA



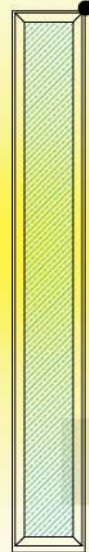
DIMENSION (Unit mm.)



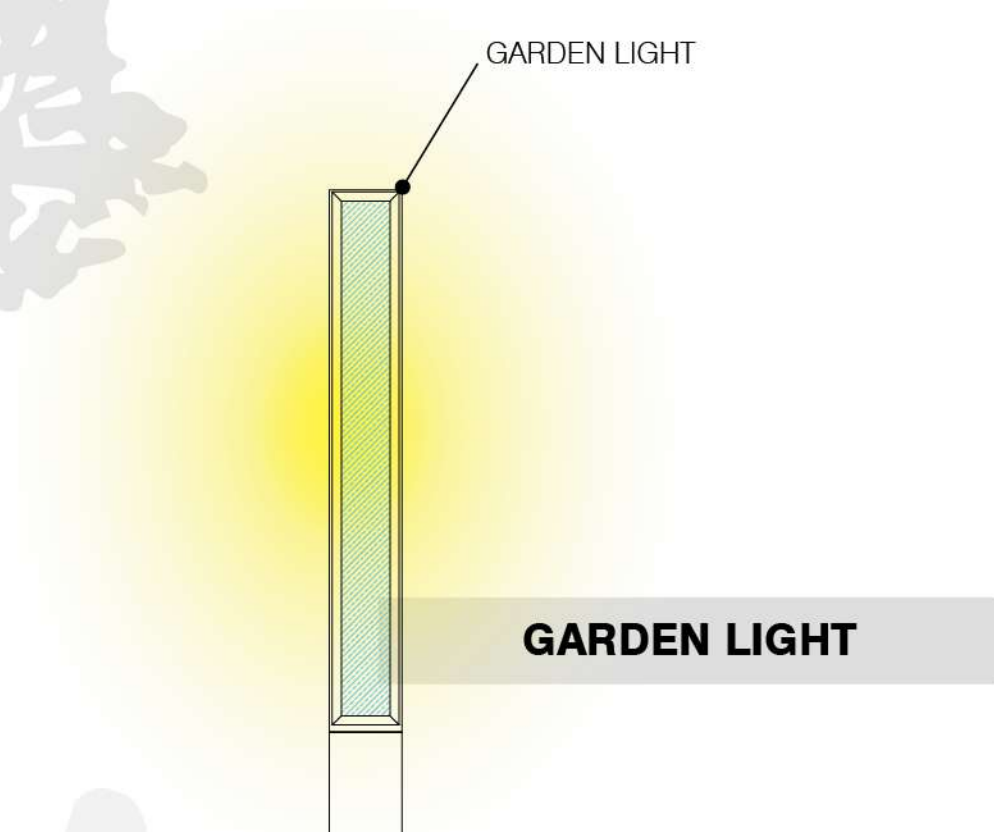
Across section size's picture



GARDEN LIGHT



GARDEN LIGHT



LC-WD-T1098 WHITE OIL GLASS

GARDEN LIGHT



OSRAM
CHIP LED

50
WATT

IP65

ALUMINIUM
MATERIAL

DRIVER

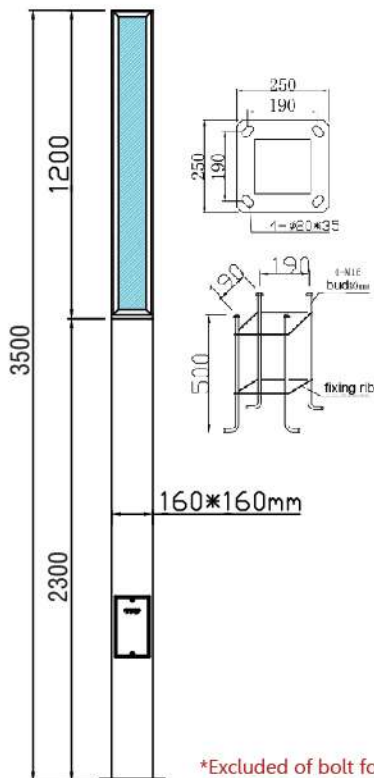
MATT
ANTHRACITE
COLOR



SPECIFICATION

Model	: LC-WD-T1098 WHITE OIL GLASS
Light source	: Osram LED
Power	: 50W
Lumen	: 6300 lm
Lumen/Watt	: 126 lm/W
CCT	: 3000K
CRI	: > 80
Beam Angle	: -
Material	: Aluminium
Color	: Matt Anthracite (V322401S)
Paint method	: Outdoor UV Spray Powder
Optical cover	: White Oil Tempered Glass
Adjustable	: -
IP	: 65
Driver Type	: Internal Driver
Surge Protection	: 6kV
Power Voltage	: 100-240 VAC 50Hz
Power factor	: > 0.96
Dimension (WxLxH)	: 160×160×3500 mm.
Total Height	: 3500 mm.

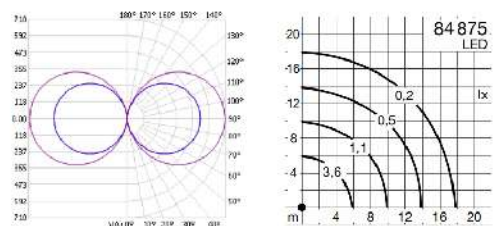
DIMENSION (Unit mm.)



*Excluded of bolt for fixing with ground

UNIT PRICE : 35,000.-

PHOTOMETRIC DATA



LC-WD-T1098-PEAR PATTERN GLASS

GARDEN LIGHT

OSRAM
CHIP LED

50
WATT

IP65

ALUMINIUM
MATERIAL

MW
REAL WELL
DRIVER

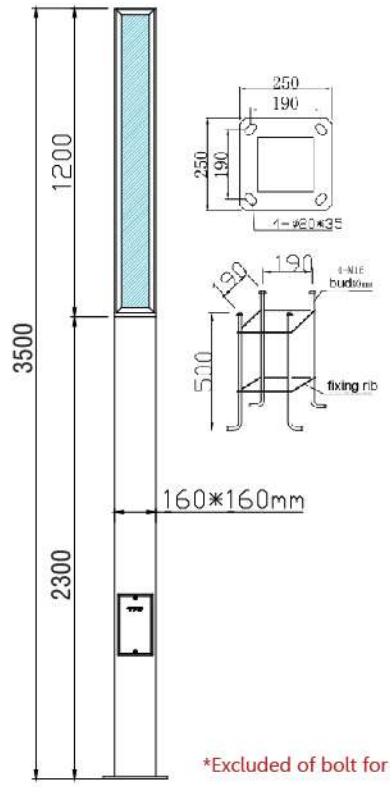
MATT
ANTHRACITE
COLOR



SPECIFICATION

Model	: LC-WD-T1098-PEAR PATTERN GLASS
Light source	: Osram LED
Power	: 50W
Lumen	: 6300 lm
Lumen/Watt	: 126 lm/W
CCT	: 3000K
CRI	: > 80
Beam Angle	: -
Material	: Aluminium
Color	: Matt Anthracite (V322401S)
Paint method	: Outdoor UV Spray Powder
Optical cover	: Pear Pattern glass
Adjustable	: -
IP	: 65
Driver Type	: Internal Driver
Surge Protection	: 6kV
Power Voltage	: 100-240 VAC 50Hz
Power factor	: >0.96
Dimension (WxLxH)	: 160x160x3500 mm.
Total Height	: 3500 mm.

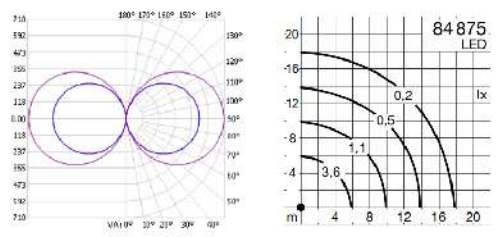
DIMENSION (Unit mm.)



*Excluded of bolt for fixing with ground

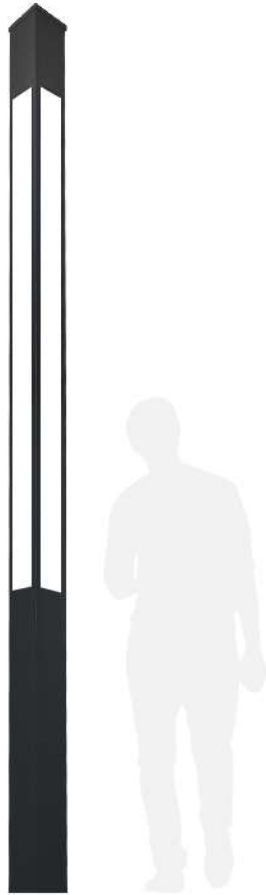
UNIT PRICE : xx,xxx.-

PHOTOMETRIC DATA



LC-WD-T1516

GARDEN LIGHT



LED
T5
LAMP

56
WATT

IP65

UV
Powder
coating

GALVANIZED
STEEL
MATERIAL

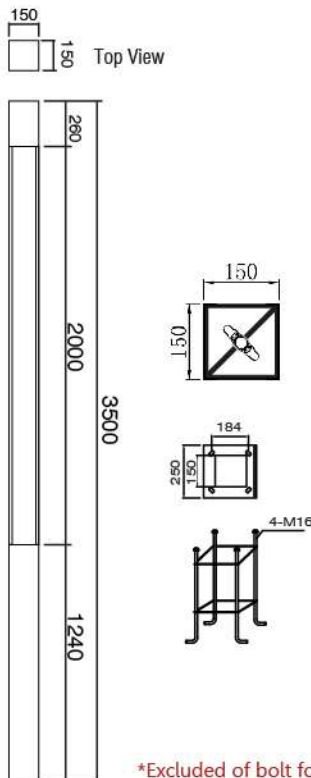
MATT
ANTHRACITE
COLOR



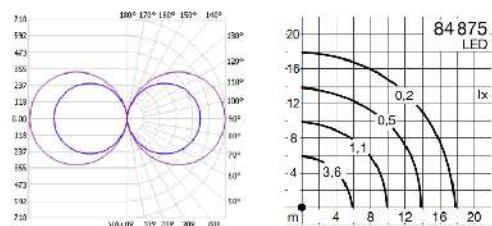
SPECIFICATION

Model	: LC-WD-T1516
Light source	: LED T5 4×14Watt (2sides, each side 2 pcs)
Power	: 56W
Lumen	: 4×1200 lm ≈ 4800lm
Lumen/Watt	: 85 lm/W
CCT	: 3000K
CRI	: >80
Beam Angle	: -
Material	: Galvanized steel
Color	: Matt Anthracite (V322401S)
Paint method	: Outdoor UV Spray Powder
Optical cover	: Opal acrylic
Adjustable	: -
IP	: 65
Driver Type	: Internal Driver
Surge Protection	: 6kV
Power Voltage	: 100-240 VAC 50Hz
Power factor	: >0.5
Dimension (WxLxH)	: 150×150×3500 mm.
Total Height	: 3500 mm.

DIMENSION (Unit mm.)



PHOTOMETRIC DATA



UNIT PRICE : 15,000.-

LC-WD-T124F

GARDEN LIGHT

LED
T5
LAMP

72
WATT

IP65

UV
Powder
coating

ALUMINIUM
MATERIAL

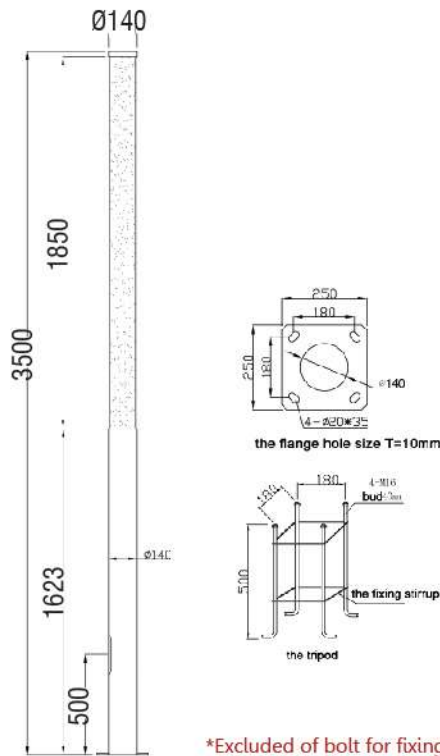
MATT
ANTHRACITE
COLOR



SPECIFICATION

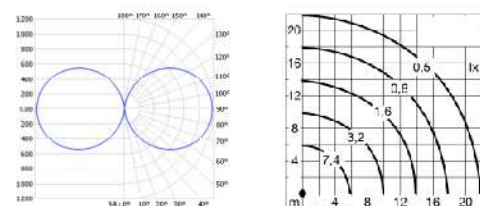
Model	: LC-WD-T124F
Light source	: 6 x LED T5 12W
Power	: 72W
Lumen	: 6840 lm
Lumen/Watt	: 95 lm/W
CCT	: 3000K
CRI	: >80
Beam Angle	: 360°
Material	: Aluminum
Color	: Matt Anthracite (V322401S)
Paint method	: Outdoor UV Spray Powder
Optical cover	: Polycarbonate
Adjustable	: -
IP	: 65
Driver Type	: Internal Driver
Surge Protection	: 6kV
Power Voltage	: 100-240 VAC 50Hz
Power factor	: >0.5
Dimension (ØxH)	: Ø140×3500 mm.
Total Height	: 3500 mm.

DIMENSION (Unit mm.)



*Excluded of bolt for fixing with ground

PHOTOMETRIC DATA



UNIT PRICE : 19,800.-

LC-WD-T317

GARDEN LIGHT



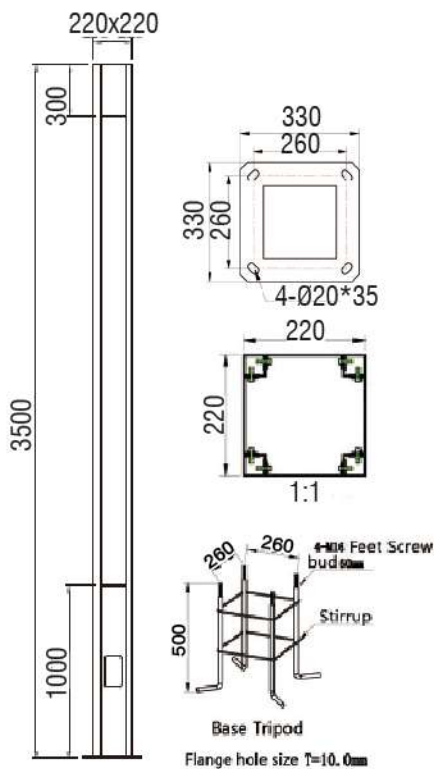
COB LED 50W



LENS LED



DIMENSION (Unit mm.)



UNIT PRICE : 27,500.-

*Excluded of bolt for fixing with ground

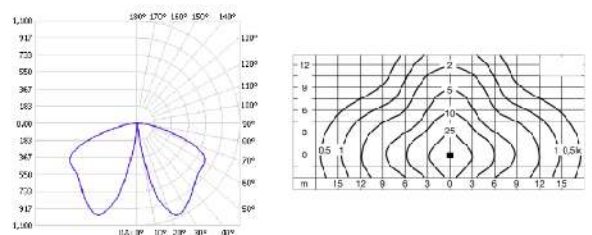


SPECIFICATION

Model	: LC-WD-T317
Light source	: Bridgelux LED
Power	: 50W
Lumen	: 5000 lm
Lumen/Watt	: 100 lm/W
CCT	: 3000K
CRI	: >80
Beam Angle	: N/A
Material	: Aluminum
Color	: Matt Anthracite (V322401S)
Paint method	: Outdoor UV Spray Powder
Optical cover	: Polycarbonate
Adjustable	: -
IP	: 65
Driver Type	: Internal Driver
Surge Protection	: 6kV
Power Voltage	: 100-240 VAC 50Hz
Power factor	: >0.96
Dimension (WxLxH)	: 220x220xH3500mm.
Total Height	: 3500 mm.

Note : MEA Test Certificated

PHOTOMETRIC DATA



LC-YL-T411A

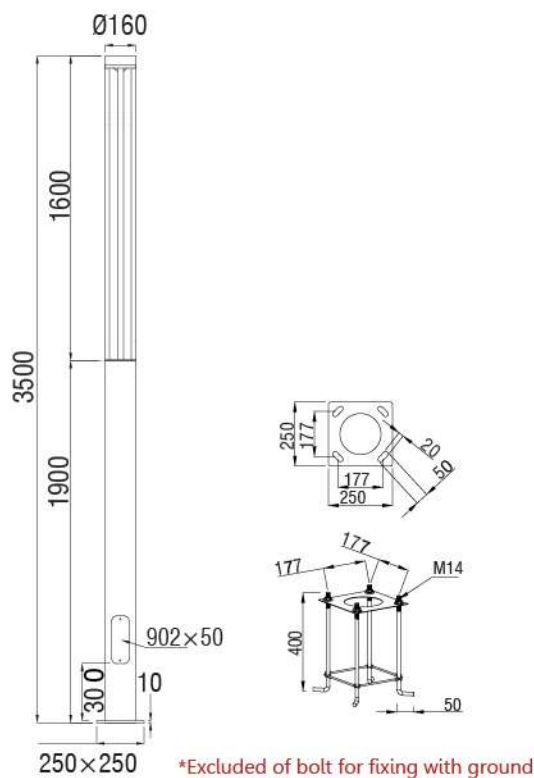
GARDEN LIGHT



SPECIFICATION

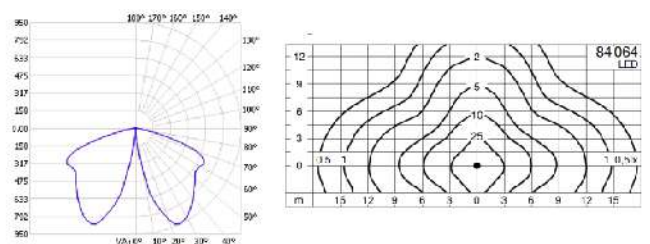
Model	: LC-YL-T411A
Light source	: CREE LED
Power	: 45W
Lumen	: 4500 lm
Lumen/Watt	: 100 lm/W
CCT	: 3000K
CRI	: > 80
Beam Angle	: 180°
Material	: Aluminum
Color	: Anthracite Grey RAL7016
Paint method	: Outdoor UV Spray Powder
Optical cover	: Polycarbonate
Adjustable	: -
IP	: 65
Driver Type	: Internal Driver
Surge Protection	: 6kV
Power Voltage	: 100-240 VAC 50Hz
Power factor	: >0.96
Dimension (ØxH)	: Ø160×3500 mm.
Total Height	: 3500 mm.

DIMENSION (Unit mm.)



UNIT PRICE : 27,500.-

PHOTOMETRIC DATA

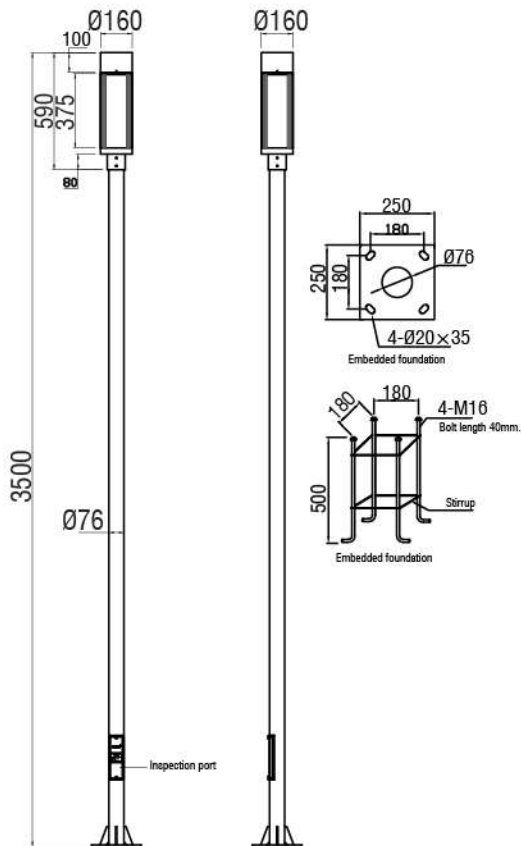


LC-WD-T579-1

GARDEN LIGHT



DIMENSION (Unit mm.)



*Excluded of bolt for fixing with ground

UNIT PRICE : xx,xxx.-

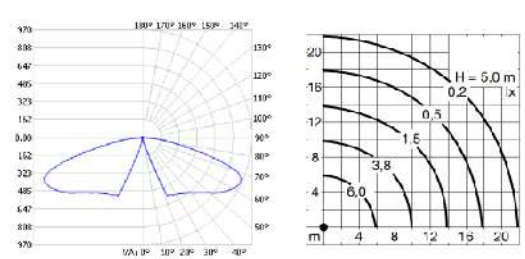
EPISTAR CHIP LED	30 WATT	IP65	ALUMINIUM MATERIAL	MW MEAN WELL DRIVER	MATT ANTHRACITE COLOR
---------------------	-------------------	-------------	-----------------------	---------------------------	-----------------------------



SPECIFICATION

Model	: LC-WD-T579-1
Light source	: Lumileds (Philips) LED
Power	: 30W
Lumen	: 3000 lm
Lumen/Watt	: 100 lm/W
CCT	: 3000K
CRI	: > 80
Beam Angle	: 152°×72°
Material	: hot-dip galvanized pipe pole Aluminum lamp head. Exposed fastening screws, nuts is 304 stainless steel.
Color	: Matt Anthracite (V322401S)
Paint method	: Outdoor UV Spray Powder
Diffuser	: Acrylic lampshade
Adjustable	: No
IP	: 65
Driver Type	: Internal Driver
Surge Protection	: 6kV
Power Voltage	: 100-240 VAC 50Hz
Power factor	: >0.96
Dimension (ØxH)	: Head lamp Ø160×590 mm.
Total Height	: 3500 mm.

PHOTOMETRIC DATA



LC-WD-T579-2

GARDEN LIGHT

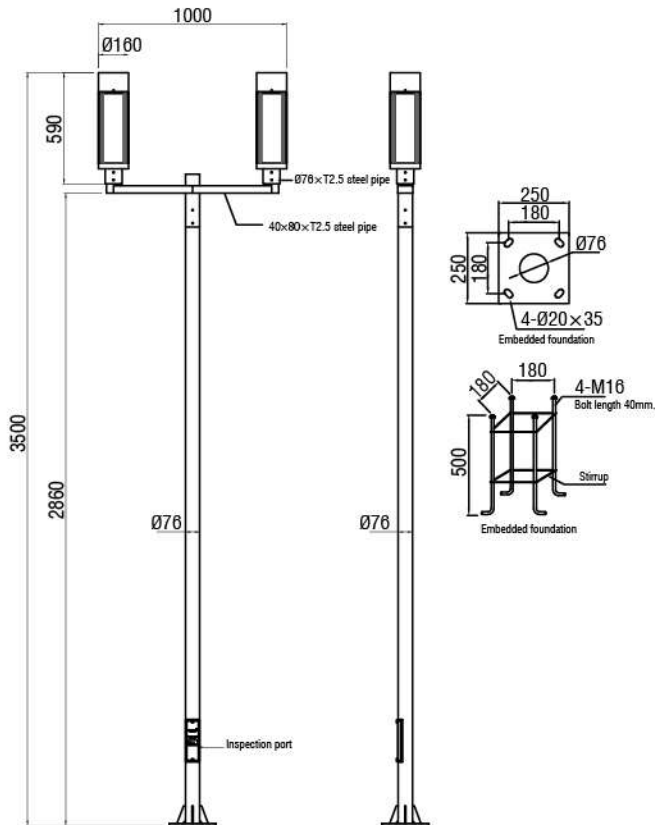
EPISTAR CHIP LED	2×30 WATT	IP65	ALUMINIUM MATERIAL	MW MEAN WELL DRIVER	MATT ANTHRACITE COLOR
---------------------	--------------	------	-----------------------	---------------------------	-----------------------------



SPECIFICATION

Model	: LC-WD-T579-1
Light source	: Lumileds (Philips) LED
Power	: 2×30W
Lumen	: 2×3000 lm
Lumen/Watt	: 100 lm/W
CCT	: 3000K
CRI	: >80
Beam Angle	: 152°×72°
Material	: hot-dip galvanized pipe pole Aluminum lamp head. Exposed fastening screws, nuts is 304 stainless steel.
Color	: Matt Anthracite (V322401S)
Paint method	: Outdoor UV Spray Powder
Diffuser	: Acrylic lampshade
Adjustable	: No
IP	: 65
Driver Type	: Internal Driver
Surge Protection	: 6kV
Power Voltage	: 100-240 VAC 50Hz
Power factor	: >0.96
Dimension (ØxH)	: Head lamp Ø160×590 mm.
Total Height	: 3500 mm.

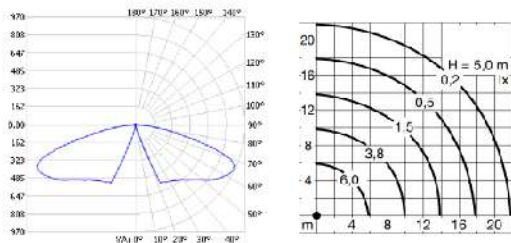
DIMENSION (Unit mm.)



*Excluded of bolt for fixing with ground

UNIT PRICE : xx,xxx.-

PHOTOMETRIC DATA



LC-YL-HALO-1000A-021G-3m.

GARDEN LIGHT

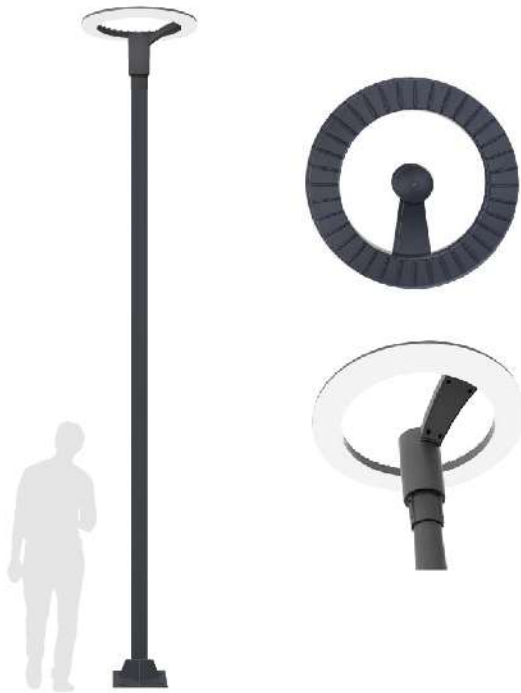
LED
CHIP

45
WATT

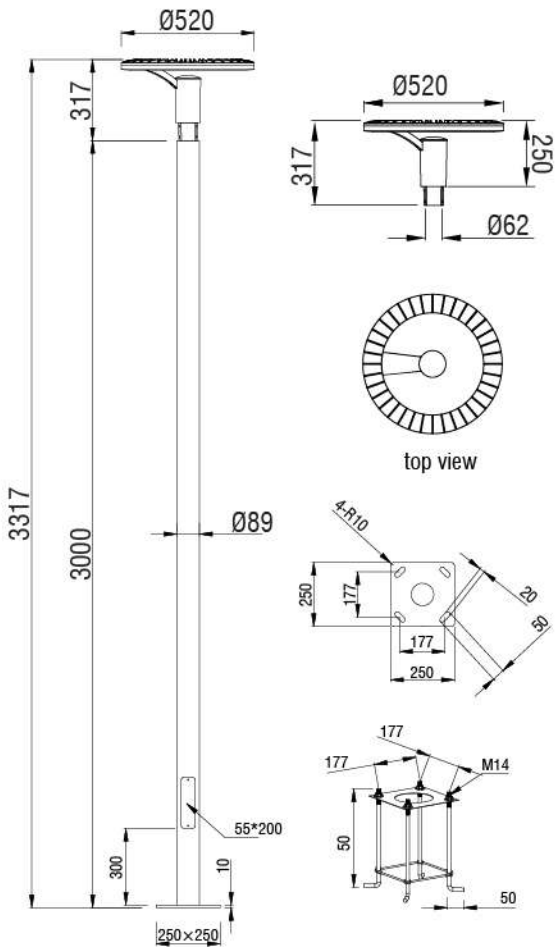
IP65

ALUMINIUM
MATERIAL

ANTHRACITE
GREY
COLOR



DIMENSION (Unit mm.)



*Excluded of bolt for fixing with ground

SPECIFICATION

Model	: LC-YL-HALO-1000A-021G-3m.
Light source	: LED
Power	: 45W
Lumen	: 3325 lm
Lumen/Watt	: 73 lm/W
CCT	: 3000K
CRI	: > 80
Beam Angle	: 104.19°
Material	: Die-cast Aluminium housing
Color	: Anthracite Grey RAL 7016
Paint method	: Outdoor UV Spray Powder
Optical cover	: Opal Pc lens
Adjustable	: No
IP	: 65
Driver Type	: Internal Driver
Surge Protection	: 6kV
Power Voltage	: 100-240 VAC 50Hz
Power factor	: > 0.96
Dimension (Lamp Head)	: Ø520×H317 mm.
Pole Diameter	: Ø89 mm.
Total Height	: 3317 mm.

UNIT PRICE : xx,xxx.-

LC-YL-HALO-1000C

GARDEN LIGHT

LED
CHIP

2 × 45
WATT

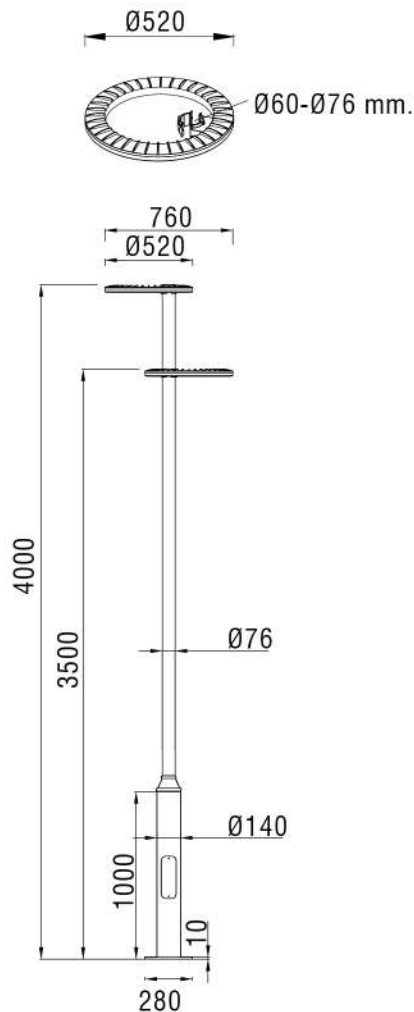
IP65

ALUMINIUM
MATERIAL

ANTHRACITE
GREY
COLOR



DIMENSION (Unit mm.)



SPECIFICATION

Model	: LC-YL-HALO-1000C
Light source	: LED 2835
Power	: 2 × 45W
Lumen	: 2 × 3325 lm
Lumen/Watt	: 73 lm/W
CCT	: 3000K
CRI	: >80
Beam Angle	: 104.19°
Material	: Die-cast Aluminium housing
Color	: Anthracite Grey RAL 7016
Paint method	: Outdoor UV Spray Powder
Optical cover	: Opal Pc lens
Adjustable	: No
IP	: 65
Driver Type	: Internal Driver
Surge Protection	: 6kV
Power Voltage	: 100-240 VAC 50Hz
Power factor	: >0.96
Dimension (Lamp Head)	: Ø520
Pole Diameter	: Ø76 mm.
Total Height	: 4000 mm.

UNIT PRICE : xx,xxx.-

FAMILY HALO



LC-YL-LIMB-1004-P021G-3.5M

GARDEN LIGHT

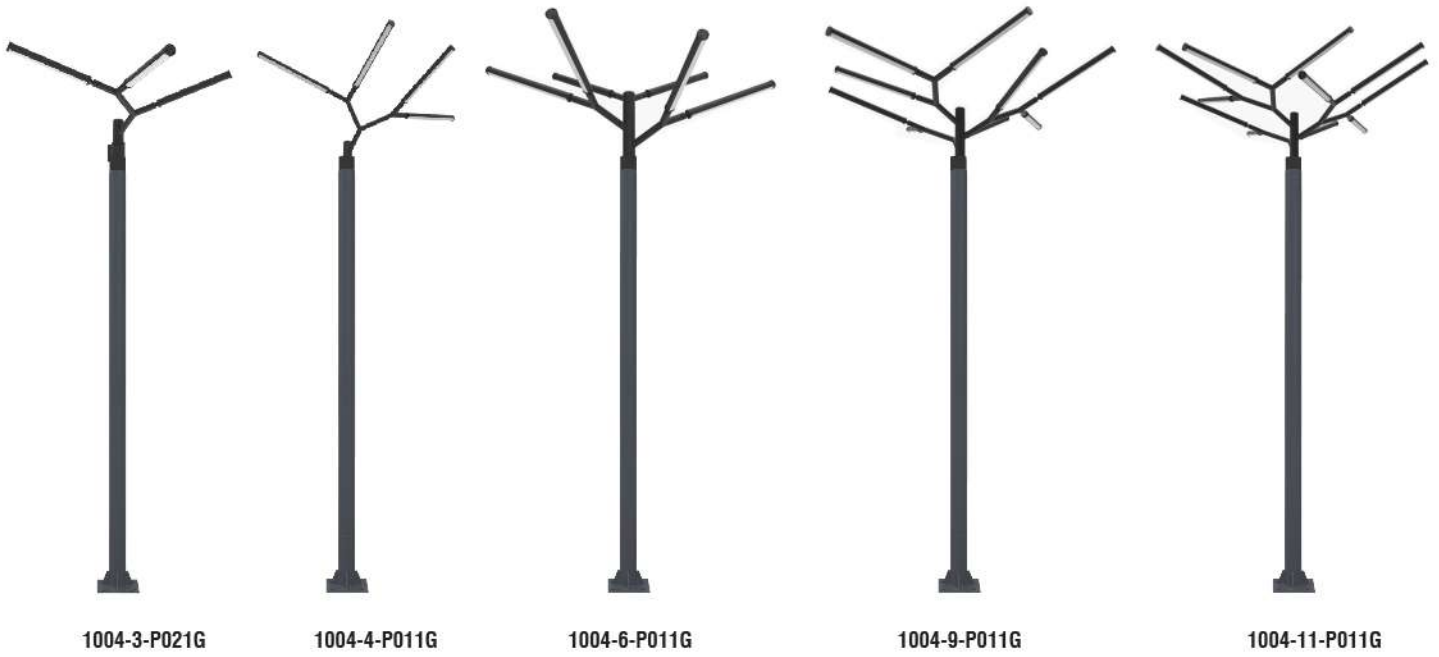
LED
CHIP

45
WATT

IP65

ALUMINIUM
MATERIAL

ANTHRACITE
GREY
COLOR

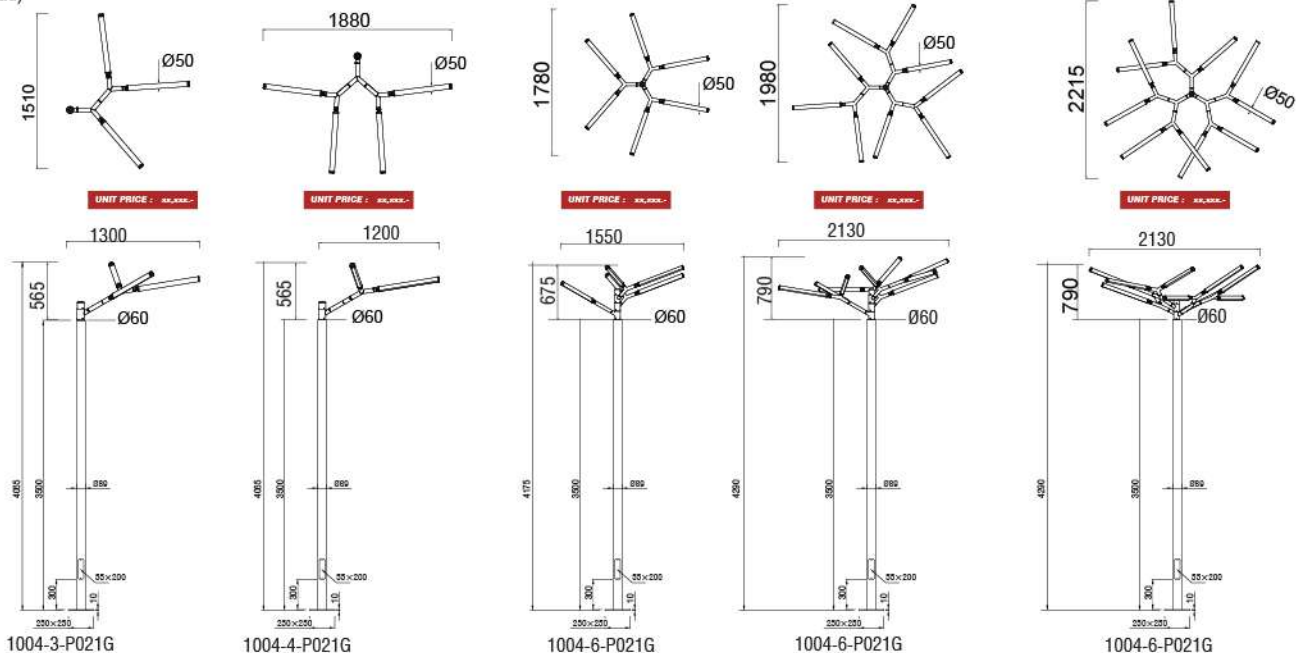


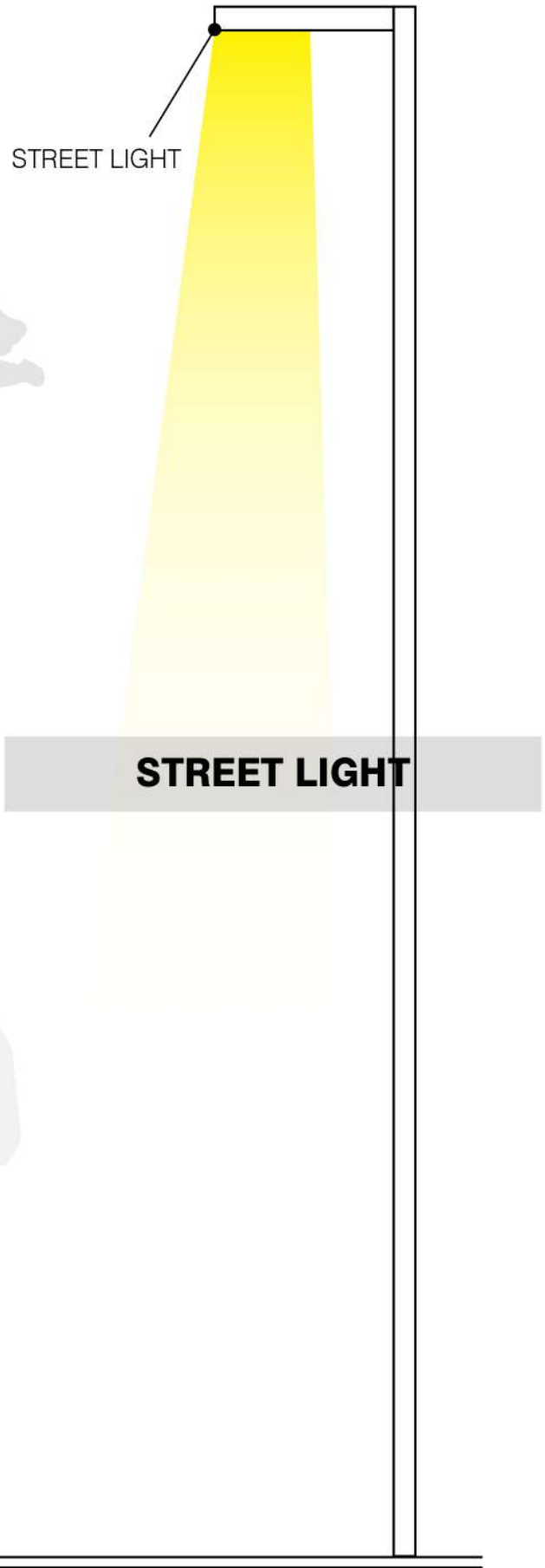
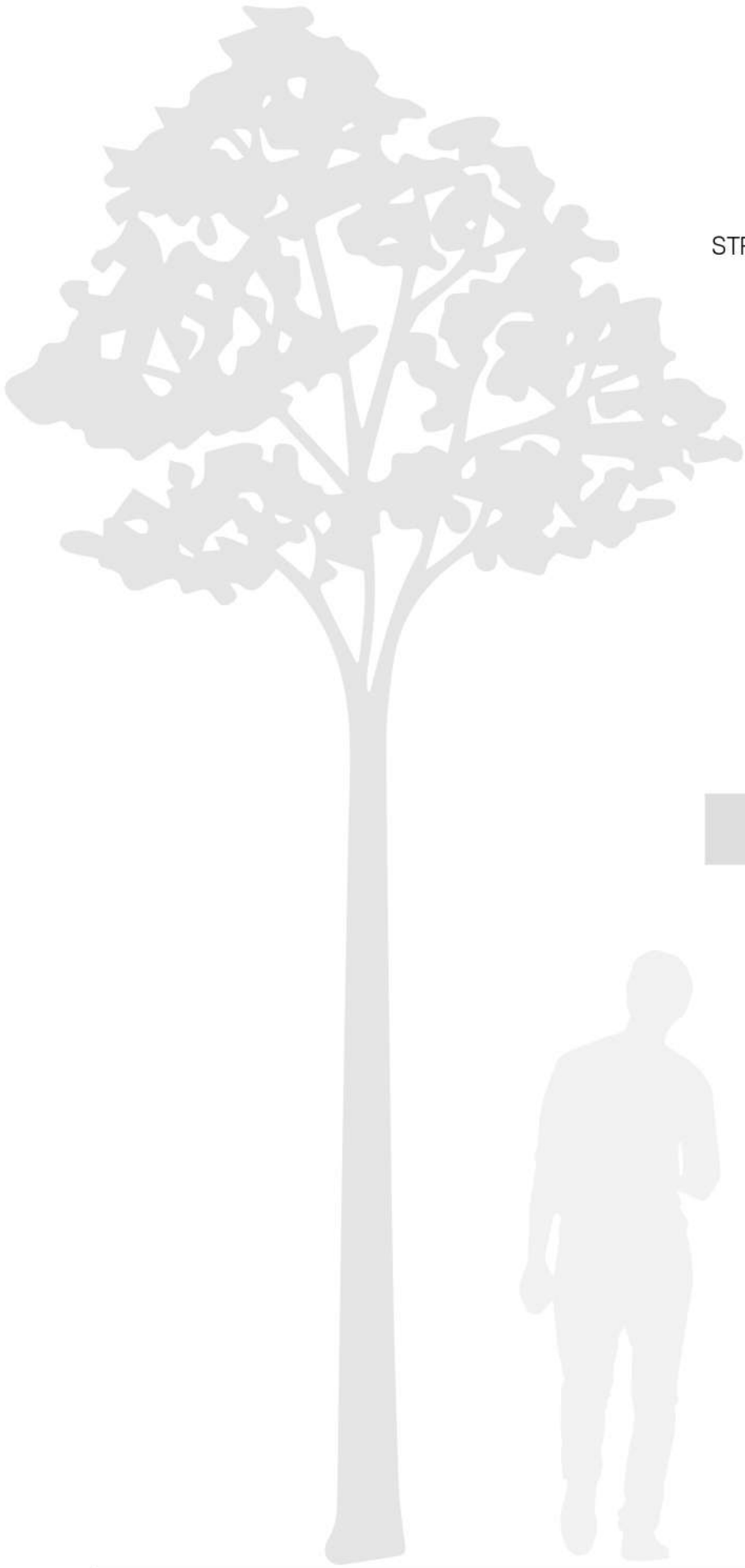
SPECIFICATION

Model	Power	Light source	Lumen	CCT	Materials	IP	Dimension (Head)
1004-3-P021G	60W	LED SMD 2835	3×2000lm	3000K	die-cast Aluminum and extruded Aluminium, Opal Pc lens	65	Ø50mm. W1510/E1300/H565mm.
1004-4-P021G	60W	LED SMD 2835	4×1500lm				Ø50mm. W1880/E1200×H565mm.
1004-6-P021G	90W	LED SMD 2835	6×1500lm				Ø50mm. W1780/E1500/H675mm.
1004-9-P021G	180W	LED SMD 2835	9×2000lm				Ø50mm. W2130/E1980/H790mm.
1004-11-P021G	220W	LED SMD 2835	11×2000lm				Ø50mm. W2215/E2130/H790mm.



(Head)





STREET LIGHT

STREET LIGHT

LC-WD-T135 - 1 HEAD

STREET LIGHT



CHIP LED

60
WATT

IP65

ALUMINIUM
MATERIAL

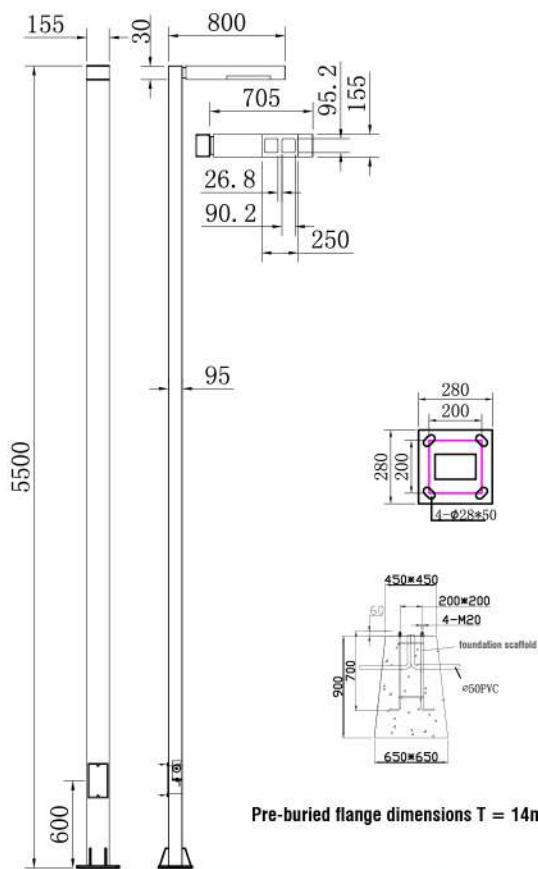
MATT
ANTHRACITE
COLOR



SPECIFICATION

Model	: LC-WD-T135 - 1 HEAD
Light source	: Lumileds (Philips) LED
Power	: 60W
Lumen	: 6960 lm
Lumen/Watt	: 116 lm/W
CCT	: 4000K
CRI	: > 80
Beam Angle	: 152°x72°
Material	: Aluminium
Color	: Matt Anthracite (V322401S)
Paint method	: Outdoor UV Spray Powder
Optical cover	: Polycarbonate
Adjustable	: -
IP	: 65
Driver Type	: Internal Driver
Surge Protection	: 6kV
Power Voltage	: 100-240 VAC 50Hz
Power factor	: > 0.96
Dimension (WxLxH)	: 155x800x5500 mm.
Total Height	: 5500 mm.

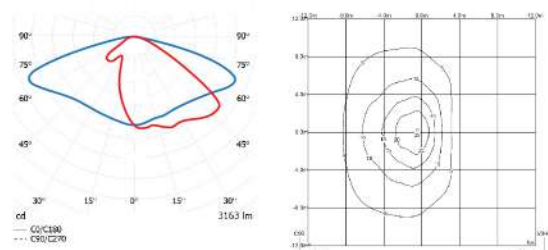
DIMENSION (Unit mm.)



*Excluded of bolt for fixing with ground

UNIT PRICE : 32,000.-

PHOTOMETRIC DATA

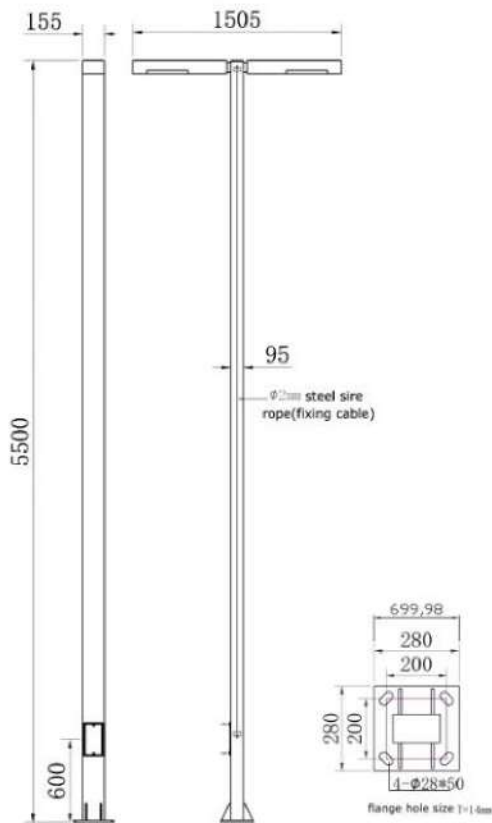


LC-WD-T135 - 2 HEAD

STREET LIGHT



DIMENSION (Unit mm.)



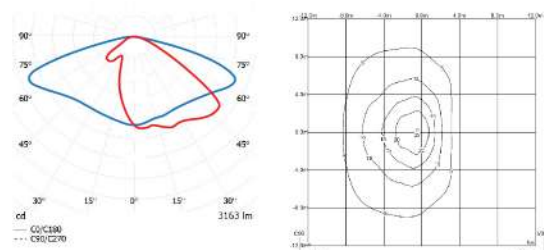
*Excluded of bolt for fixing with ground



SPECIFICATION

Model	: LC-WD-T135 - 2 HEAD
Light source	: Lumileds (Philips) LED
Power	: 2x60W
Lumen	: 2x6960 lm
Lumen/Watt	: 116 lm/W
CCT	: 4000K
CRI	: > 80
Beam Angle	: 152°x72°
Material	: Aluminium
Color	: Matt Anthracite (V322401S)
Paint method	: Outdoor UV Spray Powder
Optical cover	: Polycarbonate
Adjustable	: -
IP	: 65
Driver Type	: Internal Driver
Surge Protection	: 6kV
Power Voltage	: 100-240 VAC 50Hz
Power factor	: > 0.96
Dimension (WxLxH)	: 155x1505x5500 mm.
Total Height	: 5500 mm.

PHOTOMETRIC DATA



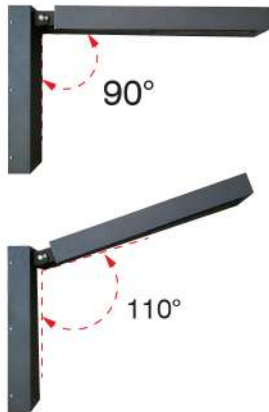
UNIT PRICE : xx,xxx.-

LC-WD-T135-ADJUST

STREET LIGHT



adjustable headlamp
reduce back light (bug rating)
conforming to LEED

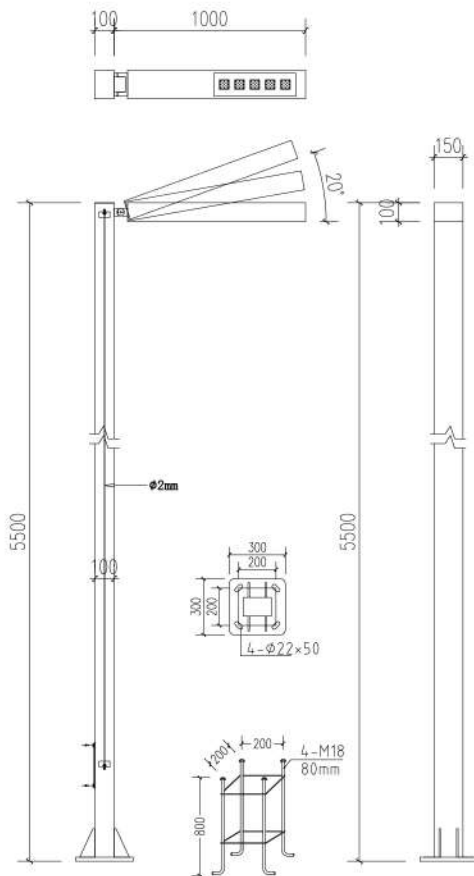


LUMILEDS CHIP LED	60 WATT	IP65	ALUMINIUM MATERIAL	MW MEAN WELL DRIVER	MATT ANTHRACITE COLOR
----------------------	-------------------	-------------	-----------------------	---------------------------	-----------------------------



Model	: LC-WD-T135-ADJUST
Light source	: Lumileds (Philips) LED
Power	: 60W
Lumen	: 6960 lm
Lumen/Watt	: 116 lm/W
CCT	: 3000K
CRI	: >80
Beam Angle	: 152°x72°
Material	: Aluminium
Color	: Matt Anthracite (V322401S)
Paint method	: Outdoor UV Spray Powder
Optical cover	: Polycarbonate
Adjustable	: 90°-110°
IP	: 65
Driver Type	: Internal Driver
Surge Protection	: 6kV
Power Voltage	: 100-240 VAC 50Hz
Power factor	: >0.96
Dimension (WxLxH)	: 150 × 1100 × 5500 mm.
Total Height	: 5500 mm.

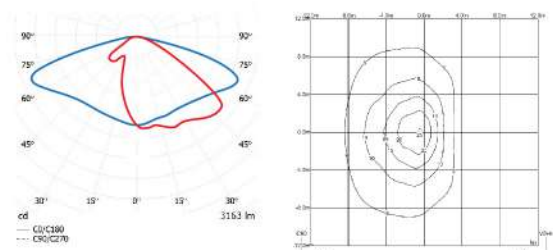
DIMENSION (Unit mm.)



*Excluded of bolt for fixing with ground

UNIT PRICE : 38,000.-

PHOTOMETRIC DATA

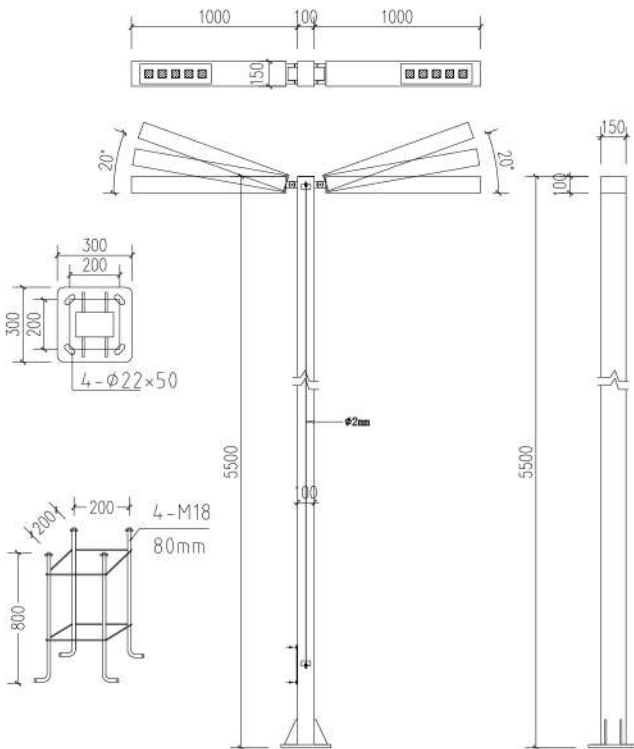


LC-WD-T135-ADJUST -2

STREET LIGHT



DIMENSION (Unit mm.)



*Excluded of bolt for fixing with ground

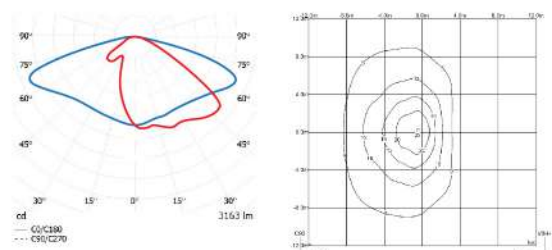
UNIT PRICE : 40,000.-



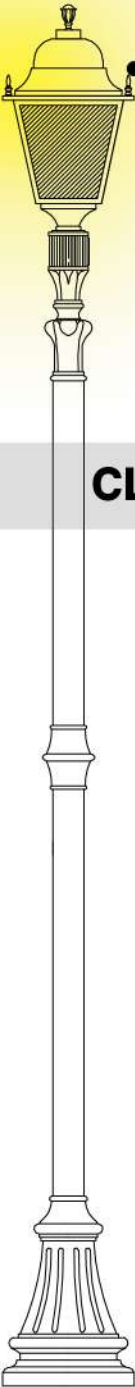
SPECIFICATION

Model	: LC-WD-T135-ADJUST - 2
Light source	: Lumileds (Philips) LED
Power	: 2×60W
Lumen	: 2×6960 lm
Lumen/Watt	: 116 lm/W
CCT	: 3000K
CRI	: > 80
Beam Angle	: 152°×72°
Material	: Aluminium
Color	: Matt Anthracite (V322401S)
Paint method	: Outdoor UV Spray Powder
Optical cover	: Polycarbonate
Adjustable	: 90°-110°
IP	: 65
Driver Type	: Internal Driver
Surge Protection	: 6kV
Power Voltage	: 100-240 VAC 50Hz
Power factor	: > 0.96
Dimension (WxLxH)	: 150×2100×5500 mm.
Total Height	: 5500 mm.

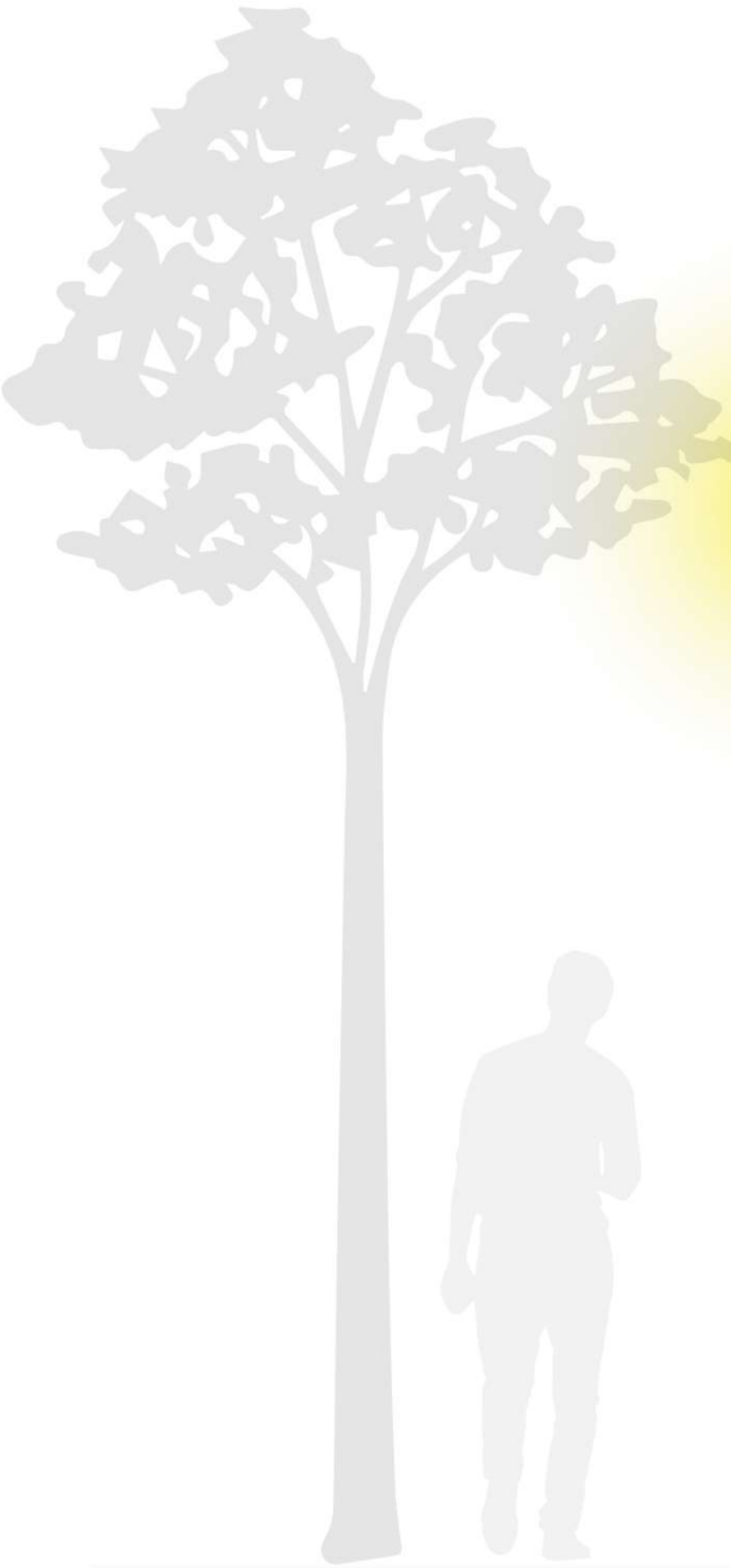
PHOTOMETRIC DATA



CLASSIC GARDEN LAMP



CLASSIC LAMP



LC-WD-B205

CLASSIC WALL LAMP

E27
LAMP

IP55

ALUMINIUM
MATERIAL

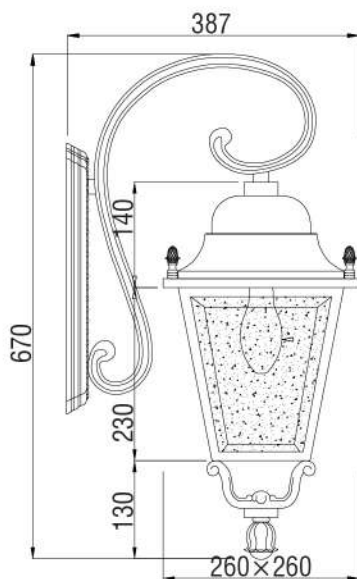
MATT
ANTHRACITE
COLOR

SPECIFICATION



Model	: LC-WD-B205
Light source	: E27 (Waterproof Socket IP65) (Max. 50W)
Material	: Aluminium
Color	: Matt Anthracite (V322401S)
Paint method	: Outdoor UV Spray Powder
Diffuser	: Tempered Glass
IP	: 55
Power Voltage	: AC220V~50Hz
Dimension (mm.)	: Head Size W260×L260×H500 mm. Total : H670mm.

DIMENSION (Unit mm.)



UNIT PRICE : 6,600.-



LC-WD-B551

CLASSIC WALL LAMP

E27
LAMP

IP55

ALUMINIUM
MATERIAL

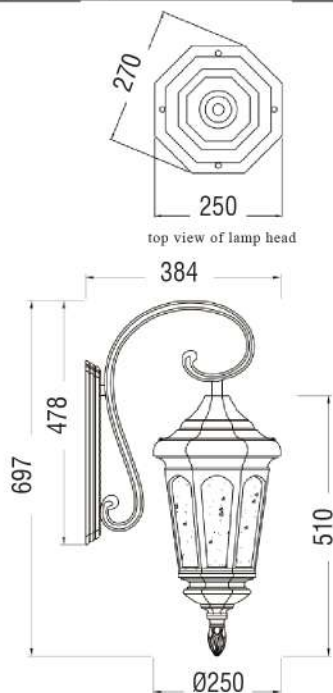
MATT
ANTHRACITE
COLOR

SPECIFICATION



Model	: LC-WD-B551
Light source	: E27 (Waterproof Socket IP65) (Max. 50W)
Material	: Aluminium
Color	: Matt Anthracite (V322401S)
Paint method	: Outdoor UV Spray Powder
Diffuser	: Tempered Glass
IP	: 55
Power Voltage	: AC220V~50Hz
Dimension (mm.)	: Head size $\varnothing 270 \times 250 \times H510$ mm. Total : H697mm.

DIMENSION (Unit mm.)



UNIT PRICE : 6,600.-



LC-WD-B074

CLASSIC WALL LAMP

E27
LAMP

IP55

ALUMINIUM
MATERIAL

MATT
ANTHRACITE
COLOR

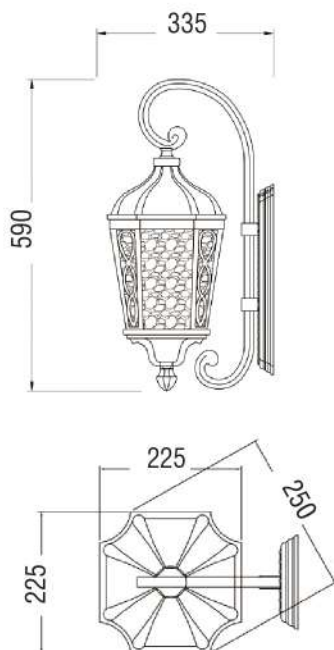
SPECIFICATION

Model	: LC-WD-B074
Light source	: E27 (Waterproof Socket IP65) (Max. 50W)
Material	: Aluminium
Color	: Matt Anthracite (V322401S)
Paint method	: Outdoor UV Spray Powder
Diffuser	: Tempered Water pattern glass
IP	: 55
Power Voltage	: AC220V~50Hz
Dimension (mm.)	: Head size 250×225×335mm. Total : H590 mm.



Water pattern glass

DIMENSION (Unit mm.)



UNIT PRICE : xx,xxx.-



LC-YL-1023A-E27-AFW

CLASSIC WALL LAMP

E27
LAMP

IP54

ALUMINIUM
MATERIAL

ANTHRACITE
GREY
RAL 7016



SPECIFICATION

Lamp Head

Light source	: E27 (Waterproof Socket IP65) (Max. 50W)
CCT	: 3000K
Input Voltage	: AC220V~50Hz
Materials	: -Die-cast Aluminum housing -Clear Tempered glass
IP	: 54
Dimension	: Head size W440×L440×H820 mm.
Color	: Anthracite Grey RAL 7016
Paint method	: Outdoor UV Spray Powder

Arm

Arm Size	: W70×L540×H300 mm.
Base size	: W13×L70×H300 mm.
Materials	: Die-cast Aluminum housing
Color	: Anthracite Grey RAL 7016

DIMENSION (Unit mm.)



UNIT PRICE : xx,xxx.-



LC-WD-B802 OCTAGON GARDEN LIGHT

CLASSIC WALL LAMP

E27
LAMP

IP65

STAINLESS
STEEL
MATERIAL

MATT
BLACK
COLOR

GOLDEN
COLOUR

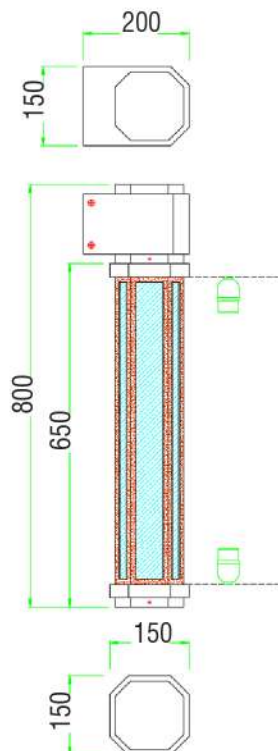


SPECIFICATION

Model	: LC-WD-B802 OCTAGON GARDEN LIGHT
Light source	: E27 (Waterproof Socket IP65) (Max. 50W)
Material	: 201 stainless steel lamp head, T1.5mm, transparent toughened glass, tea color tempered glass of the lamp body is sand black, and the lamp head strip is gold. The exposed fastening screws, nuts is 304 stainless steel.
Color	: Matt black lamp body and golden lamp head strip.
Paint method	: Outdoor UV Spray Powder
Diffuser	: Tea color tempered glass
IP	: 65
Power Voltage	: AC220V~50Hz
Dimension (ØxLxH)	: Lamp head Ø270×250×H470 mm. : lamp pole H755mm, total1225 mm.

DIMENSION (Unit mm.)

Wall panel hole size installation



UNIT PRICE : x,xxx,-



LC-WD-C551-2

CLASSIC POST TOP LAMP

E27
LAMP

IP55

ALUMINIUM
MATERIAL

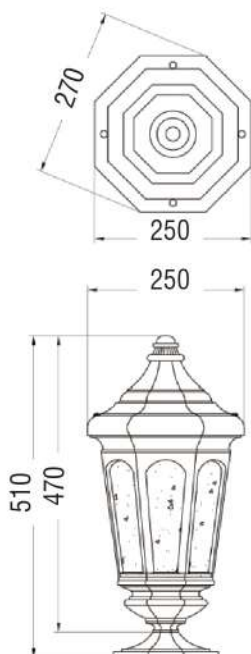
MATT
ANTHRACITE
COLOR



SPECIFICATION

Model	: LC-WD-C551-2
Light source	: E27 (Waterproof Socket IP65) (Max. 50W)
Material	: Aluminium
Color	: Matt Anthracite (V322401S)
Paint method	: Outdoor UV Spray Powder
Diffuser	: Tempered Glass
IP	: 55
Power Voltage	: AC220V~50Hz
Dimension (mm.)	: Lamp head Ø270×250 × H510 mm.

DIMENSION (Unit mm.)



UNIT PRICE : 7,000.-



LC-WD-C551

CLASSIC BOLLARD LAMP

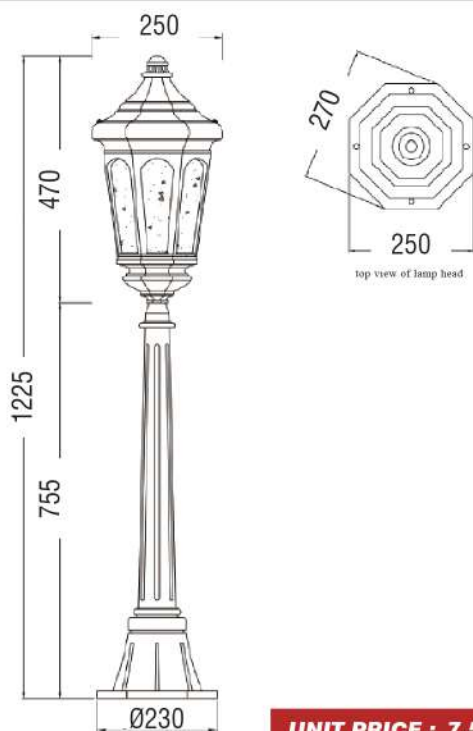


E27 LAMP	IP55	ALUMINIUM MATERIAL	MATT ANTHRACITE COLOR
--------------------	-------------	-----------------------	-----------------------------

SPECIFICATION

Model	: LC-WD-C551
Light source	: E27 (Waterproof Socket IP65) (Max. 50W)
Material	: Aluminium
Color	: Matt Anthracite (V322401S)
Paint method	: Outdoor UV Spray Powder
Diffuser	: Tempered Glass
IP	: 55
Power Voltage	: AC220V~50Hz
Dimension (mm.)	: Lamp head Ø270x250xH470 mm. lamp pole H755mm, Total : H 1225 mm.

DIMENSION (Unit mm.)



UNIT PRICE : 7,500.-



LC-WD-C074

CLASSIC BOLLARD LAMP



E27
LAMP

IP55

ALUMINIUM
MATERIAL

MATT
ANTHRACITE
COLOR

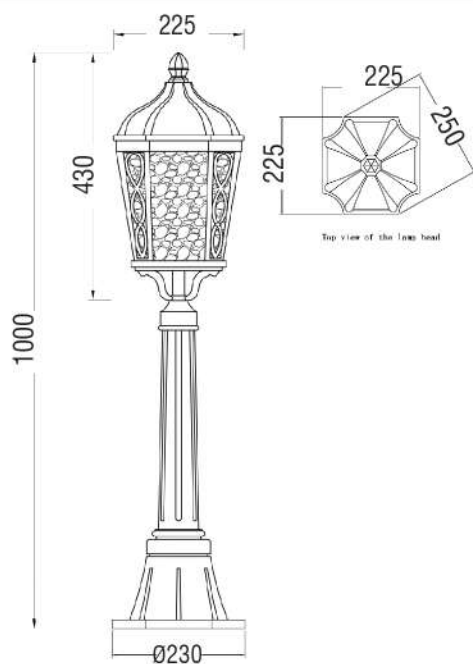
SPECIFICATION

Model	: LC-WD-C074
Light source	: E27 (Waterproof Socket IP65) (Max. 50W)
Material	: Aluminium
Color	: Matt Anthracite (V322401S)
Paint method	: Outdoor UV Spray Powder
Diffuser	: Tempered Water pattern glass
IP	: 55
Power Voltage	: AC220V~50Hz
Dimension (mm.)	: Lamp head $\varnothing 250 \times 250 \times H430$ mm. Total : H1000 mm.

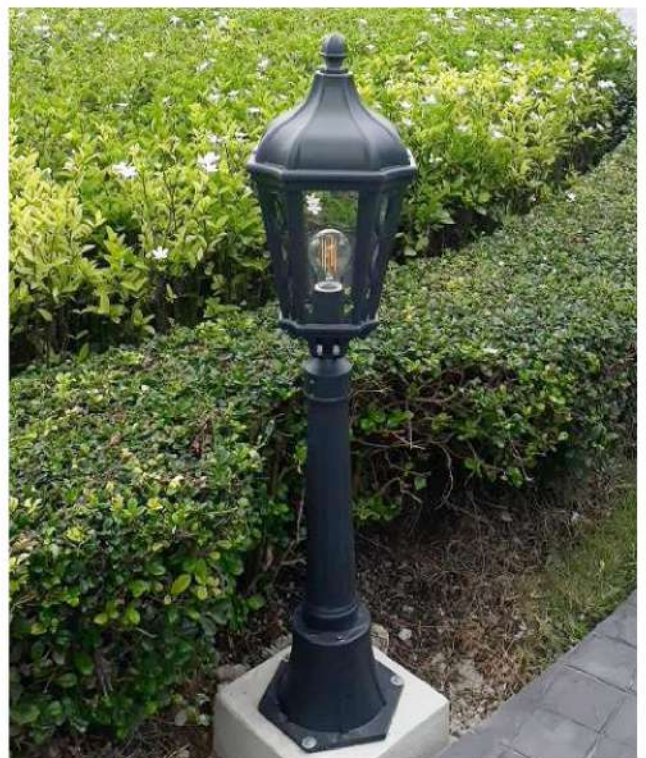


Water pattern glass

DIMENSION (Unit mm.)



UNIT PRICE : x,xxx.-



LC-WD-T551-H4000 mm.

CLASSIC POST LAMP

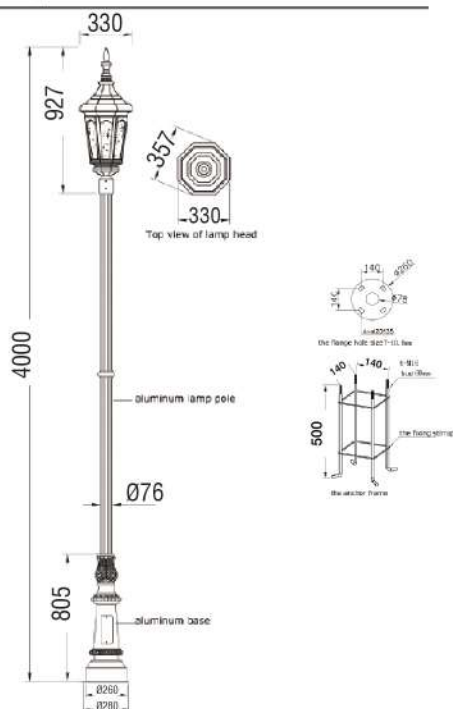
E27 LAMP	IP55	ALUMINIUM MATERIAL	MATT ANTHRACITE COLOR
--------------------	-------------	-----------------------	-----------------------------

SPECIFICATION

Model	: LC-WD-T551-H4000 mm.
Light source	: E27 (Waterproof Socket IP65) (Max. 50W)
Material	: Aluminium
Color	: Matt Anthracite (V322401S)
Paint method	: Outdoor UV Spray Powder
Diffuser	: Tempered glass
IP	: 55
Power Voltage	: AC220V~50Hz
Dimension (mm.)	: Lamp head 330 × 357 × 927 mm. Total H4000 mm., Pole Ø76 mm.



DIMENSION (Unit mm.)



UNIT PRICE : x,xxx.-

Excluded of bolt for fixing with ground



LC-WD-T205-1HEAD-ECO

CLASSIC POST LAMP

E27
LAMP

IP55

ALUMINIUM
MATERIAL

MATT
BLACK
COLOR

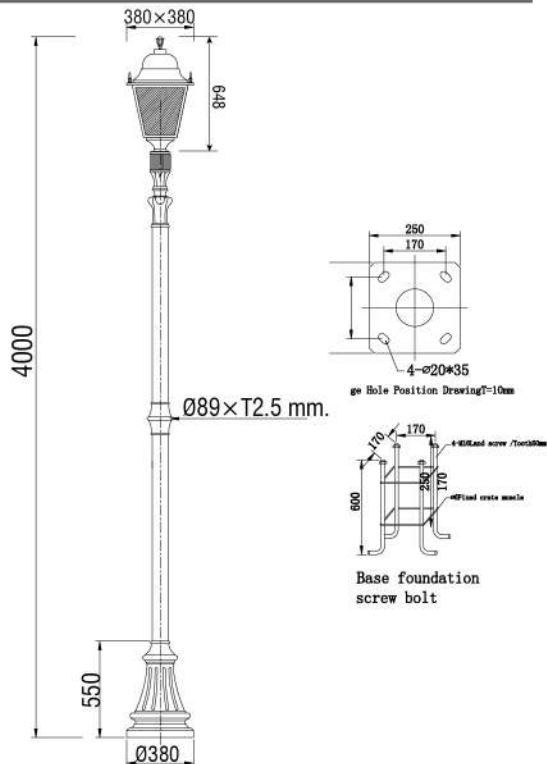
ECO
TYPE



SPECIFICATION

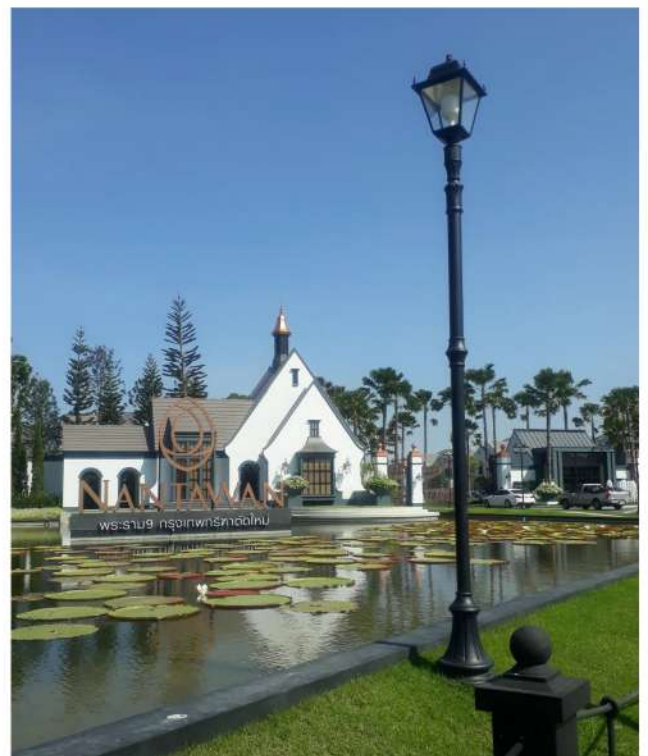
Model	: LC-WD-T205-1HEAD-ECO
Light source	: E27 (Waterproof Socket IP65) (Max. 50W)
Material	: Galvanized steel lamp head cover - Galvanized steel lamp frame - Die-casting aluminum base The exposed fastening screws, nuts is 304 stainless steel.
Color	: Matt Black
Paint method	: Outdoor UV Spray Powder
Diffuser	: Tempered glass
IP	: 55
Power Voltage	: AC220V~50Hz
Dimension (mm.)	: Lamp head 380 × 380 × 648 mm. Total H4000 mm. , Pole Ø89 × T2.5 mm.

DIMENSION (Unit mm.)



Excluded of bolt for fixing with ground

UNIT PRICE : 25,000.-



LC-WD-T205-2HEAD-ECO

CLASSIC POST LAMP

2×E27
LAMP

IP55

ALUMINIUM
MATERIAL

MATT
BLACK
COLOR

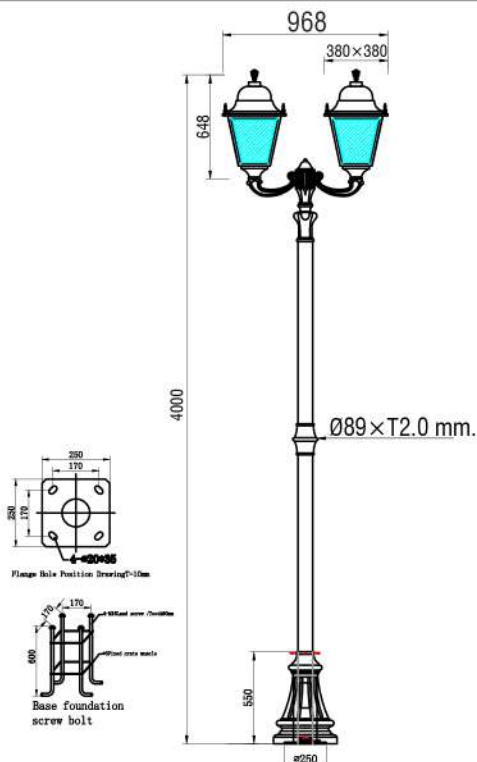
ECO
TYPE

SPECIFICATION

Model	: LC-WD-T205-2HEAD-ECO
Light source	: 2×E27 (Waterproof Socket IP65) (Max. 50W)
Material	: Galvanized steel lamp head cover - Galvanized steel lamp frame - Die-casting aluminum base The exposed fastening screws, nuts is 304 stainless steel.
Color	: Matt Black
Paint method	: Outdoor UV Spray Powder
Diffuser	: Tempered glass
IP	: 55
Power Voltage	: AC220V~50Hz
Size Head (WxLxH)	: 380 × 968 × H648 mm.
Size Pole	: Total H4000 mm. Pole Ø89×T2.0 mm.

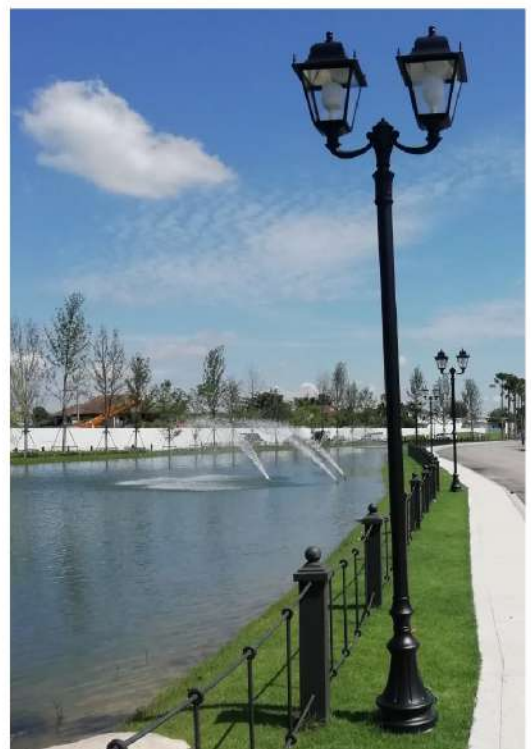


DIMENSION (Unit mm.)



Excluded of bolt for fixing with ground

UNIT PRICE : 30,000.-



LC-WD-T074

CLASSIC POST LAMP

E27
LAMP

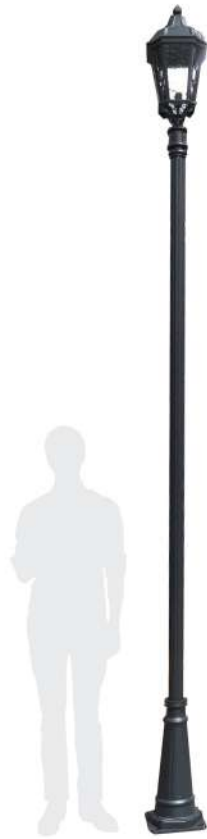
IP55

ALUMINIUM
MATERIAL

MATT
ANTHRACITE
COLOR

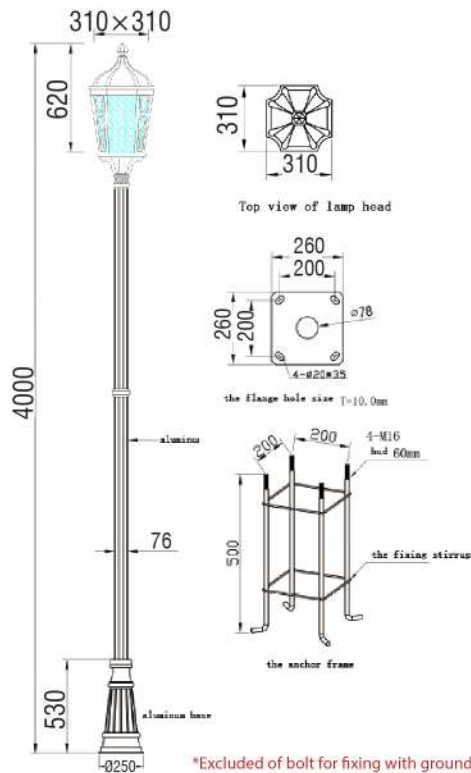
SPECIFICATION

Model	: LC-WD-T074
Light source	: E27 (Waterproof Socket IP65) (Max. 50W)
Material	: Aluminium
Color	: Matt Anthracite (V322401S)
Paint method	: Outdoor UV Spray Powder
Diffuser	: Tempered Water pattern glass
IP	: 55
Power Voltage	: AC220V~50Hz
Dimension (mm.)	: Head Size : 310 × 310× H620mm. Total : H4000mm., Pole Ø76mm.



Water pattern glass

DIMENSION (Unit mm.)



UNIT PRICE : 25,000.-

LC-WD-T800 OCTAGON GARDEN LIGHT

CLASSIC POST LAMP

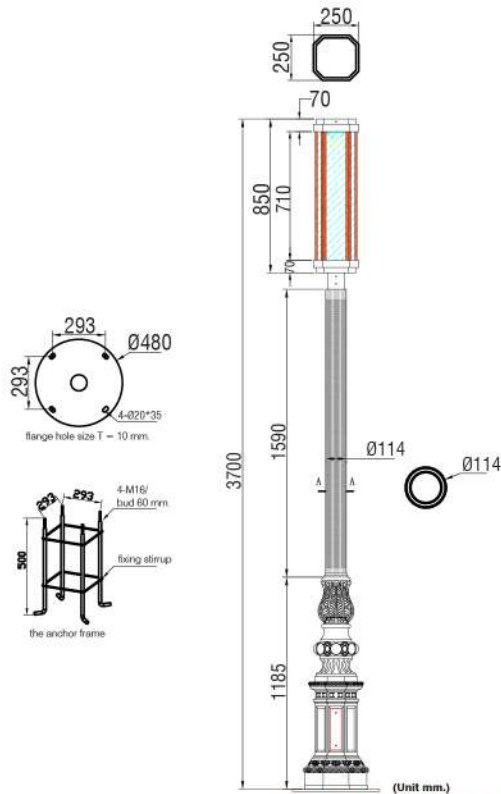


LED	30 WATT	IP65	STAINLESS STEEL MATERIAL	MATT BLACK COLOR	GOLDEN COLOUR
------------	-------------------	-------------	--------------------------------	------------------------	------------------

SPECIFICATION

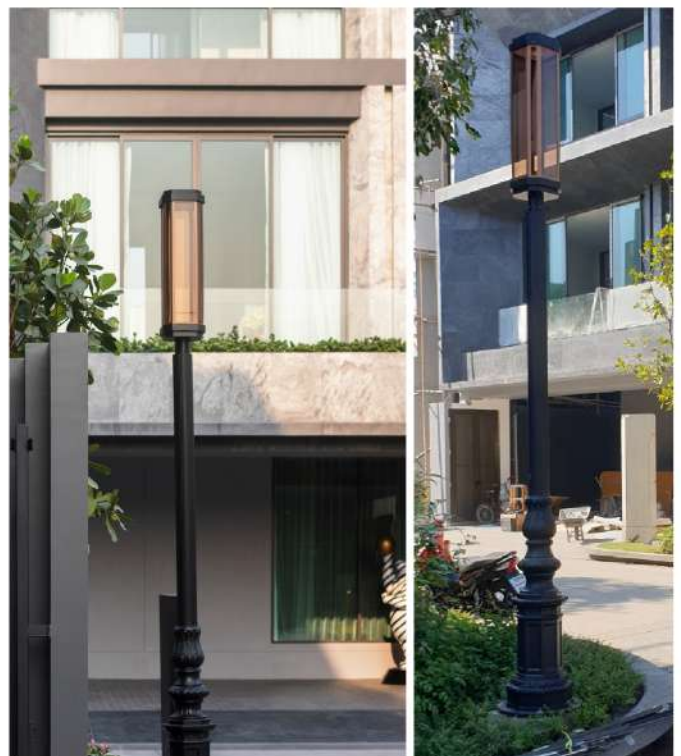
Model	: LC-WD-T800 OCTAGON GARDEN LIGHT
Light source	: LED
LED Power	: 30W
CCT	: 3000K
Material	: striped aluminum lamp pole tube, cast aluminum decorative base, 201 stainless steel lamp head, tea color transparent toughened glass. the installation flange is galvanizes steel plate T10mm. The exposed fastening screws, nuts is 304 stainless steel.
Color	: Bright black and deep golden strip F8820
Paint method	: Outdoor UV Spray Powder Anti-rotten/acid.alkali.thickness ≥80um,
Diffuser	: Tea color tempered glass T3mm.
IP	: 65
Driver Type	: -
Power Voltage	: AC220V~50Hz
Dimension (mm.)	: Head Size : 250 ×250 × H850 mm. Total : H3700, Pole Ø114 mm.

DIMENSION (Unit mm.)



*Excluded of bolt for fixing with ground

UNIT PRICE : xx,xxx.-



LC-YL-1011-E27-1-P053

CLASSIC POST LAMP

E27
LAMP

DIE CASTING
ALUMINUM
MATERIAL

IP54

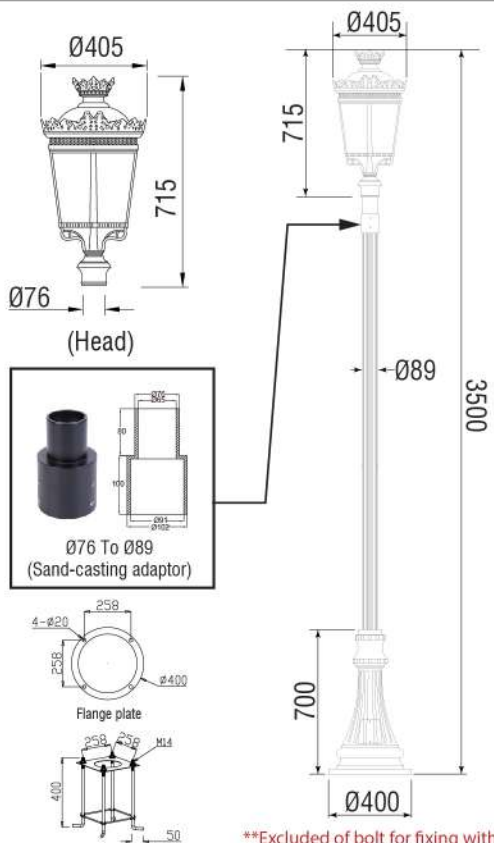
Anthracite
Grey
RAL 7016



SPECIFICATION

Model	: LC-YL-1011-E27-1-P053
Light source	: E27 (socket IP65) (Max. 50W)
Material (Head)	: Die-cast Aluminum housing Spinning Aluminum Top Cover Frost PC lens
Color	: Anthracite Grey RAL 7016
Paint method	: Outdoor UV spray powder,
Optical cover	: Frost PC
IP	: 54
Power Voltage	: AC220V~50Hz
Material (Base and Pole)	: Sanding cast base and Extruded Alumium Pole
Dimension (mm.)	: Head Size : $\varnothing 405 \times H 715$ mm. Total : H 3500 mm., Pole $\varnothing 89$ mm.

DIMENSION (Unit mm.)



UNIT PRICE : xx,xxx.-

LC-YL-1011-E27-2-P053-AFW

CLASSIC POST LAMP



2×E27
LAMP

DIE CASTING
ALUMINUM
MATERIAL

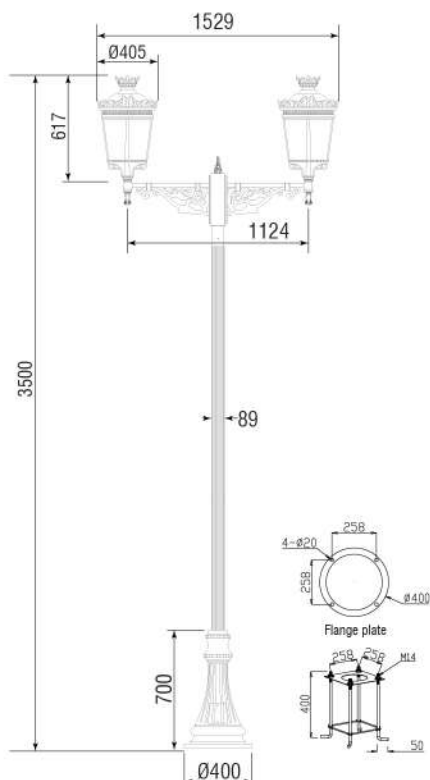
IP54

Anthracite
Grey
RAL 7016

SPECIFICATION

Model	: LC-1011-E27-2-P053-AFW
Light source	: E27 (Waterproof Socket IP65) (Max. 50W)
Material (Head)	: Die-cast Aluminum housing Spinning Aluminum Top Cover Frost PC lens
Color	: Anthracite Grey RAL 7016
Paint method	: Outdoor UV Spray Powder
Diffuser	: Frost PC
IP	: 54
Power Voltage	: AC220V~50Hz
Material (Base and Pole)	: Sanding cast base and Extruded Alumium Pole
Dimension (mm.)	: Head Size : Ø405×H617 mm. Total : H 3500 mm., Pole Ø89 mm.

DIMENSION (Unit mm.)



Excluded of bolt for fixing with ground



UNIT PRICE : xx,xxx.-

LC-YL-1023A-E27-1-P053

CLASSIC POST LAMP

E27
LAMP

DIE CASTING
ALUMINUM
MATERIAL

IP54

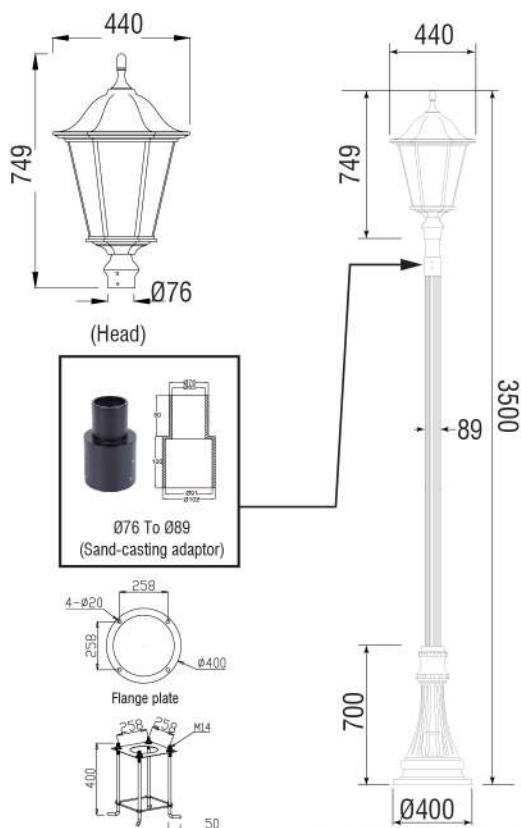
Anthracite
Grey
RAL 7016



SPECIFICATION

Model	: LC-YL-1023A-E27-1-P053
Light source	: E27 (Waterproof Socket IP65) (Max. 50W)
Material (Head)	: Die-cast Aluminum
Color	: Anthracite Grey RAL 7016
Paint method	: Outdoor UV Spray Powder
Diffuser	: Clear Tempered glass
IP	: 54
Power Voltage	: -AC220V~50Hz
Material (Base and Pole)	: Sanding cast base and Extruded Alumium Pole
Dimension (mm.)	: Head Size : $\text{Ø}440 \times \text{H}749$ mm. Total : H 3500 mm., Pole $\text{Ø}89$ mm.

DIMENSION (Unit mm.)



Excluded of bolt for fixing with ground



UNIT PRICE : xx,xxx.-

LC-YL-1023A-E27-2-P053-AFW

CLASSIC POST LAMP

2×E27
LAMP

DIE CASTING
ALUMINUM
MATERIAL

IP54

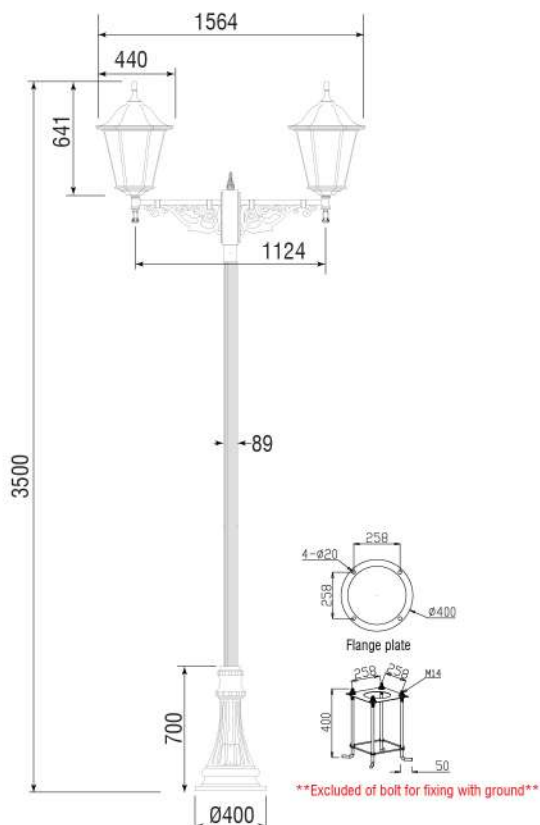
Anthracite
Grey
RAL 7016



SPECIFICATION

Model	: LC-YL-1023A-E27-2-P053-AFW
Light source	: 2×E27 (Waterproof Socket IP65) (Max. 50W)
Material (Head)	: Die-cast Aluminum
Color	: Anthracite Grey RAL 7016
Paint method	: Outdoor UV Spray Powder
Diffuser	: Clear Tempered glass
IP	: 54
Power Voltage	: AC220V~50Hz
Material (Base and Pole)	: Sanding cast base and Extruded Alumium Pole
Dimension (mm.)	: Head Size : Ø440×H641 mm. Total : H 3500 mm., Pole Ø89 mm.

DIMENSION (Unit mm.)



UNIT PRICE : xx,xxx.-

LC-WD-T206-1D+T205 base

CLASSIC POST LAMP

1 × E27
LAMP

IP55

GALVANIZED
STEEL
MATERIAL

MATT
BLACK
COLOR



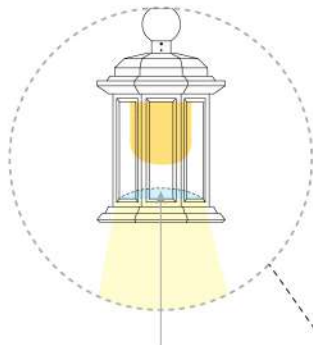
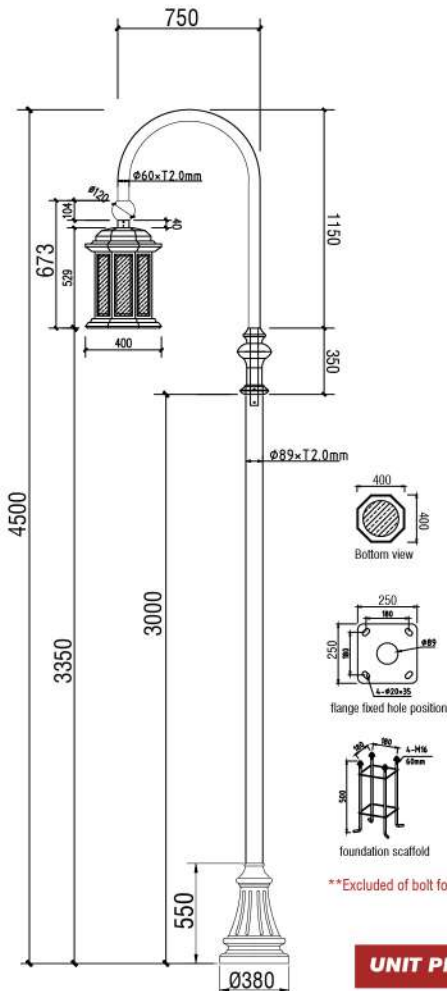
Beveling flat edge
Clear Tempered Glass
(กระจกใสเอียงปัด)



SPECIFICATION

- Model** : LC-WD-T206-1D+T205 Base
- Light source** : 1 × E27 (Waterproof Socket IP65) (Max. 50W)
- Material** : The lamp holder is galvanized steel,
Decoration parts aluminum products
Lamp pole for galvanized steel pipe
There is a reflector inside lamp head cover
All fasteners screws, nuts are
304 stainless steel (exposed)
- Color** : Matt Black
- Paint method** : Outdoor UV Spray Powder
- Diffuser** : Beveling Flat Edge Clear Tempered Glass
- IP** : 55
- Power Voltage** : AC220V~50Hz
- Dimension (mm.)** : Head Size : W400 × L400 × H529 mm.
With ball H673 mm.
Total H4500 mm., Pole Ø89 × T2.0 mm.

DIMENSION (Unit mm.)



Special design
Diffusing Glass lens



UNIT PRICE : 22,000.-

Excluded of bolt for fixing with ground

LC-WD-T206-1D+T205 base

CLASSIC POST LAMP

2 × E27
LAMP

IP55

GALVANIZED
STEEL
MATERIAL

MATT
BLACK
COLOR

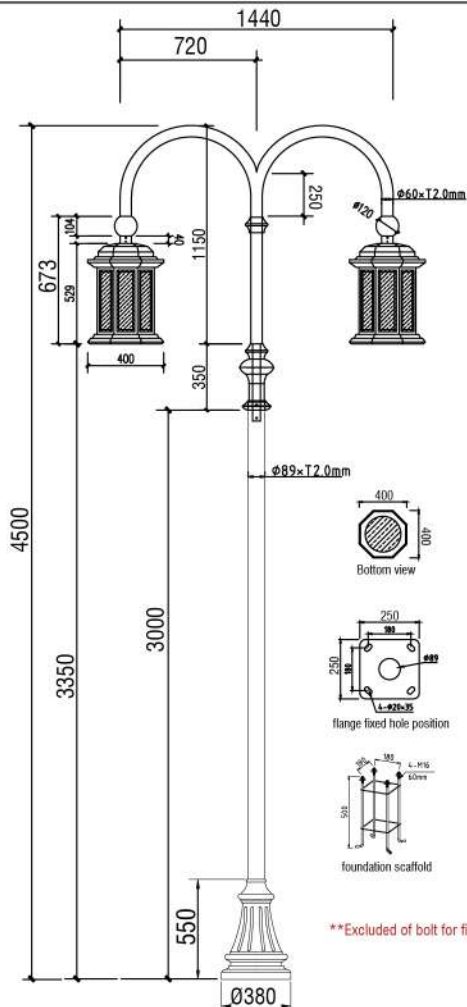


Beveling flat edge
Clear Tempered Glass
(กระจกใสขอบปัด)

SPECIFICATION

- Model** : LC-WD-T206-1D+T205 base
- Light source** : 2 × E27(Waterproof Socket IP65) (Max. 50W)
- Material** : The lamp holder is galvanized steel,
decoration parts aluminum products
Lamp pole for galvanized steel pipe
There is a reflector inside lamp head cover
All fasteners screws, nuts are
304 stainless steel (exposed)
- Color** : Matt Black
- Paint method** : Outdoor UV Spray Powder
- Diffuser** : Beveling Flat Edge Clear Tempered Glass
- IP** : 55
- Power Voltage** : AC220V~50Hz
- Dimension (mm.)** : Head Size : L400×H529 mm.
With ball H673 mm.
Total H : 4500 mm.

DIMENSION (Unit mm.)



Special design
Diffusing Glass lens



UNIT PRICE : 40,000.-

Excluded of bolt for fixing with ground

LC-WD-T202-5

CLASSIC POST LAMP

5 × E27
LAMP

IP55

ALUMINIUM
MATERIAL

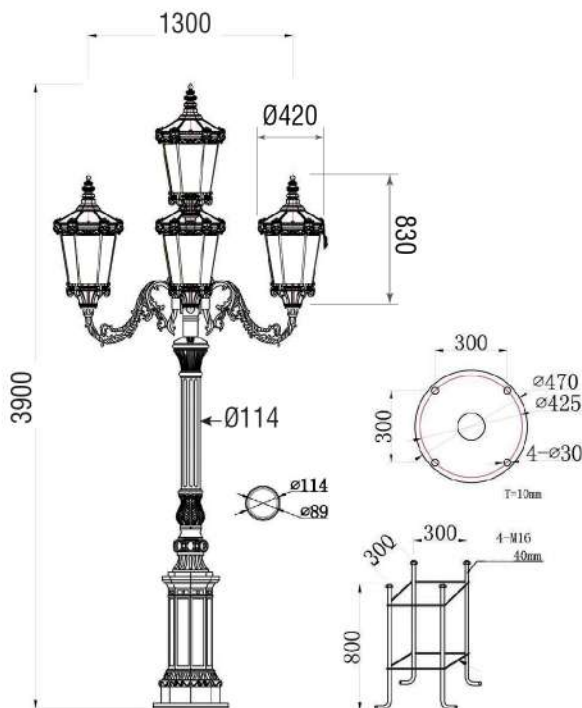
MATT
ANTHRACITE
COLOR

SPECIFICATION

Model	: LC-WD-T202-5
Light source	: 5 × E27 (Waterproof Socket IP65) (Max. 50W)
Material	: The Lamp Head Base is Aluminum The Lamp Pole is Q235 Hot-dip Galvanizing Tube T3.0 mm. The Diffuser is Clear tempered glass The Screws are 304 Stainless Steel
Color	: Matt Anthracite (V322401S)
Paint method	: Outdoor UV Spray Powder
Diffuser	: Clear tempered glass
IP	: 55
Power Voltage	: AC220V~50Hz
Dimension (WxHxL)	: Head Size : Ø420×830×1300 mm. Total : H3900mm., , Pole Ø89×T3.0 mm.



DIMENSION (Unit mm.)



*Excluded of bolt for fixing with ground

UNIT PRICE : 57,000.-



LC-WD-T202-5(4+1)+T221 (H:6500mm.)

CLASSIC POST LAMP



UNIT PRICE : xx,xxx.-

5 × E27
LAMP

IP55

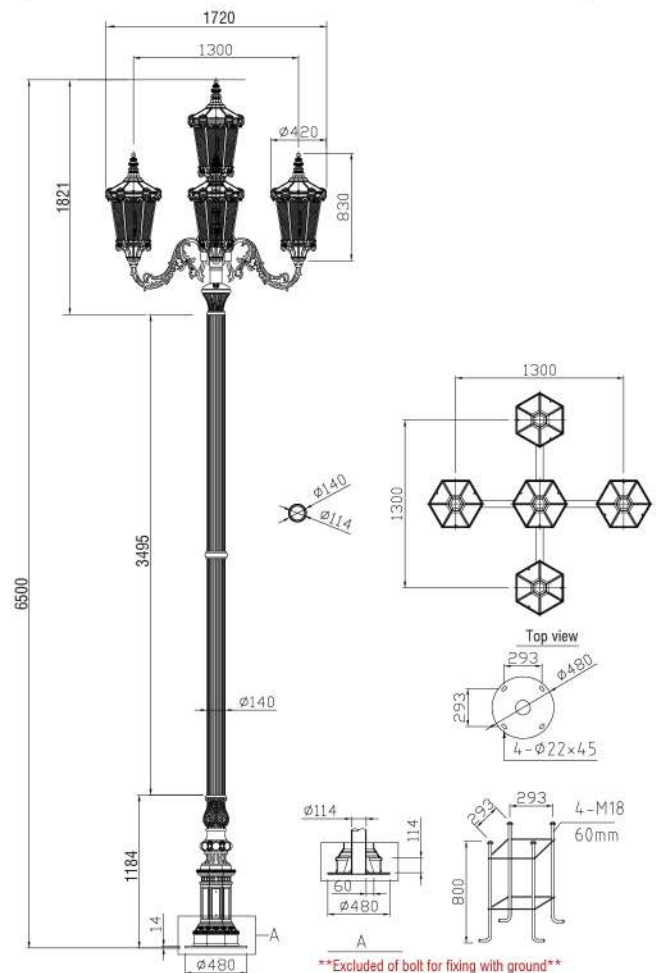
ALUMINIUM
MATERIAL

MATT
BLACK
COLOR

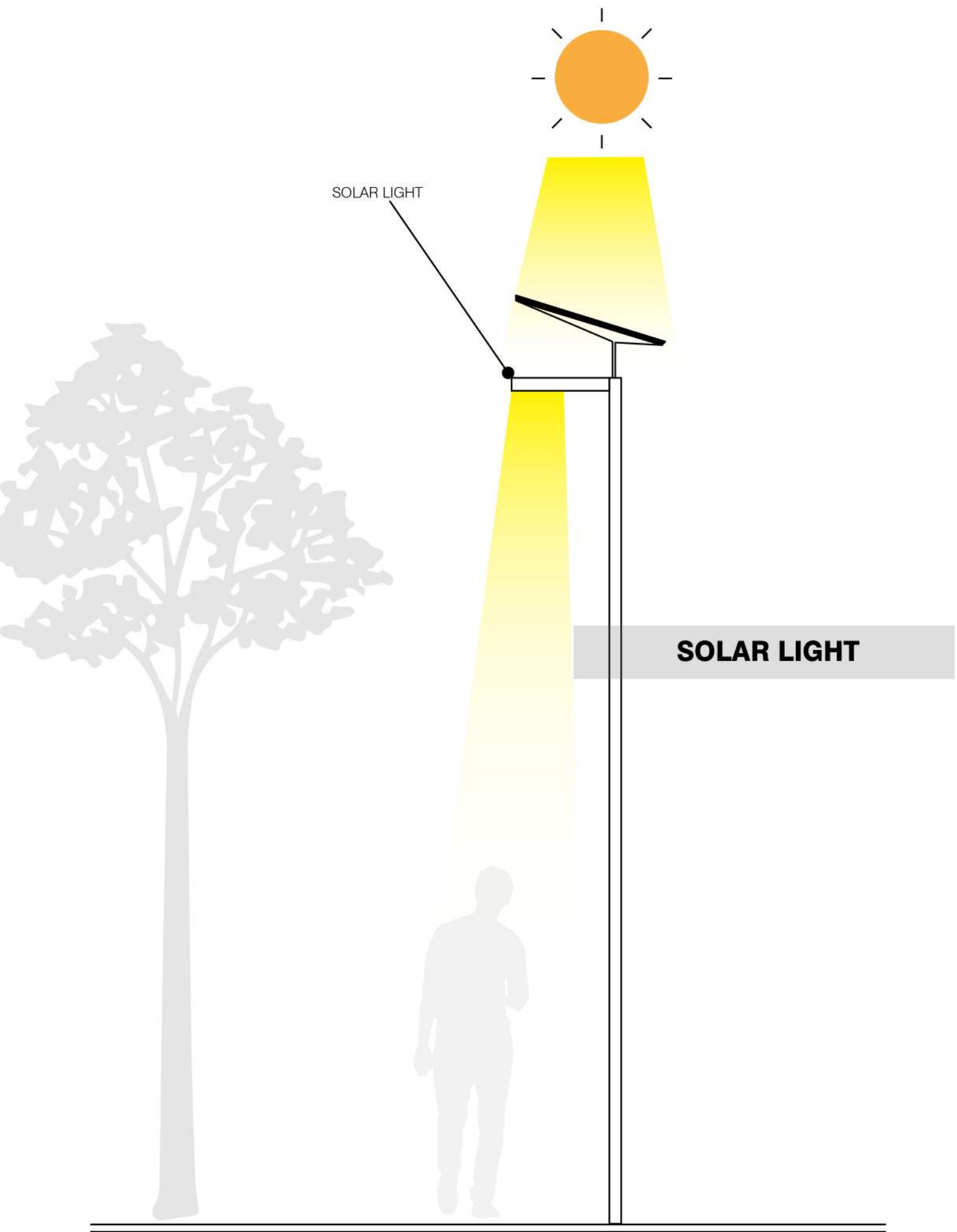
SPECIFICATION

Model	: LC-WD-T202-5(4+1)+T221
Light source	: 5 × E27 (Waterproof Socket IP65) (Max. 50W)
Material	: Aluminum lamp head. Hot Dipped Galvanized Zinc Bath immersion steel middle pole and aluminum Pole Ø140×T3.0mm. (H6500mm.)
Color	: Matt Black
Paint method	: Outdoor UV Spray Powder
Diffuser	: Frosted Glass.
IP	: 55
Power Voltage	: AC220V~50Hz
Dimension (ØxHxW)	: Head Size : Ø420×H830×W1720mm. Total H6500 mm., Pole Ø140×T3.0mm.

DIMENSION (Unit of mm.)



Excluded of bolt for fixing with ground



SOLAR LIGHT

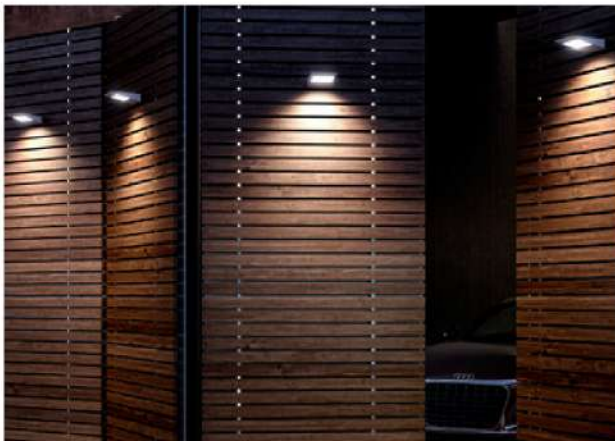
SOLAR LIGHT

SUNLITE WALL

SOLAR WALL LIGHT



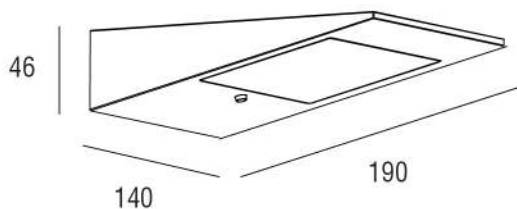
1x2200mAh lithium battery Charge: 6-8H (sunshine) Work time: 100% of light 2.5-3H, 15% of light 20H-25H



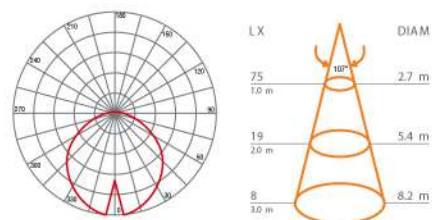
SPECIFICATION

Model	: SUNLITE WALL
Item No.	: H6041
Light source	: LED Chip
Solar Panel	: 2W Monocrystal
Light Source	: 2.2 W
Lumen	: 195 lm
CCT	: 3000K
Beam Angle	: 107°
Battery	: 2V 2Ah lithium battery
Charging Time	: 6-8 Hours (Sunshine)
Material	: Die-cast Aluminium
Color	: Anthracite
Paint method	: Outdoor UV Spray Powder
Optical cover	: Clear PC
Adjustable	: -
IP	: 54
Dimension (WxLxH)	: 190x140x46 mm.

DIMENSION (Unit mm.)



PHOTOMETRIC DATA



SOLAR PANEL

TYPE	MONOCRYSTALLINE SILICON SOLAR CELLS
MATERIAL	SILICON
POWER EFFICIENCY	17%- 20%
LIFETIME	25year+

ACCESSORY



Hex Wrench



Screw



+ Installation Manual

UNIT PRICE : 3,500.-

LONDON

SOLAR WALL LIGHT

E12
LAMP

6W
SOLAR PANEL

IP65

DIE-CAST
ALUMINIUM
MATERIAL

**BLACK
COLOR**

Monocrystal
SOLAR TYPE

SOLAR LAMP

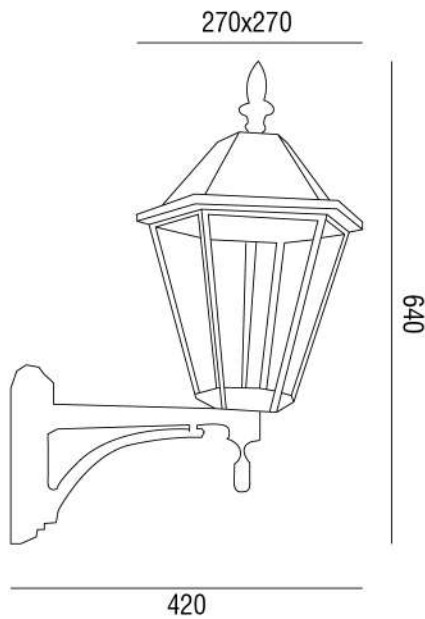
CE



SPECIFICATION

Model	: LONDON
Item No.	: 6951308012
Solar Panel	: 6W
Light Source	: 3×2W E12
Lumen	: 300 lm
CCT	: 3000K
Beam Angle	: -
Battery Type	: 7.4V 2.2Ah lithium battery
Charging Time	: 6-8 Hours (Sunshine)
Material	: Die-cast Aluminium
Color	: Black
Paint method	: Outdoor UV Spray Powder
Optical cover	: Clear Glass
Adjustable	: -
IP	: 65
Dimension (WxLxH)	: 270x420x640 mm.

DIMENSION (Unit mm.)



SOLAR PANEL

TYPE	MONOCRYSTALLINE SILICON SOLAR CELLS
MATERIAL	SILICON
POWER EFFICIENCY	17%- 20%
LIFETIME	25year+

UNIT PRICE : 8,550.-

LC-YL-HALO SOLAR

SOLAR BOLLARD LIGHT

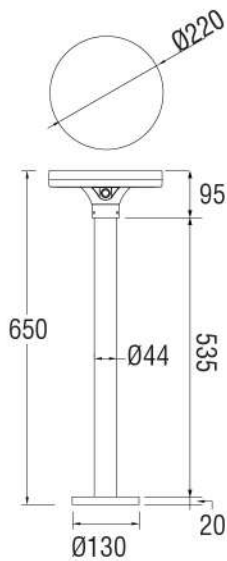
LED LAMP	4.5W SOLAR PANEL	IP65	DIE-CAST ALUMINIUM MATERIAL	Anthracite Grey RAL 7016 COLOR	Monocrystal SOLAR TYPE	SOLAR LAMP
--------------------	----------------------------	-------------	------------------------------------	---------------------------------------	-------------------------------	-------------------



With Motion sensor
100% lighting controlled by motion sensor, 30% lighting controlled by photocell.



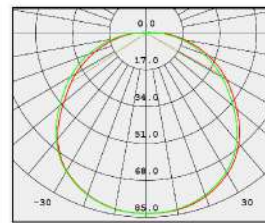
DIMENSION (Unit mm.)



SPECIFICATION

Model	: LC-YL-HALO SOLAR
Light source	: LED
Solar Panel	: 4.5 W
Light Source	: 2 W
Lumen	: 200 lm
CCT	: 3000K
Beam Angle	: 114°
Battery	: 3.2V 8Ah lithium battery
Charging Time	: 6-8 Hours
Material	: Die-cast Aluminium housing Extruded Aluminium pole
Color	: Anthracite Grey RAL 7016
Paint method	: Outdoor UV Spray Powder
Optical cover	: PMMA
Adjustable	: -
IP	: 65
Dimension	: Lamp Head Ø220×H95 mm. Pole Ø44×H535 mm. Base Ø130 ×H20 mm. Total Height 650 mm.

PHOTOMETRIC DATA



ACCESSORY



Hex Wrench



SOLAR PANEL

TYPE	MONOCRYSTALLINE SILICON SOLAR CELLS
MATERIAL	SILICON
POWER EFFICIENCY	17%- 20%
LIFETIME	25year+

UNIT PRICE : 4,000.-

ARA MAXI SOLAR

SOLAR BOLLARD LIGHT

LED
SMD

2W
SOLAR PANEL

IP65

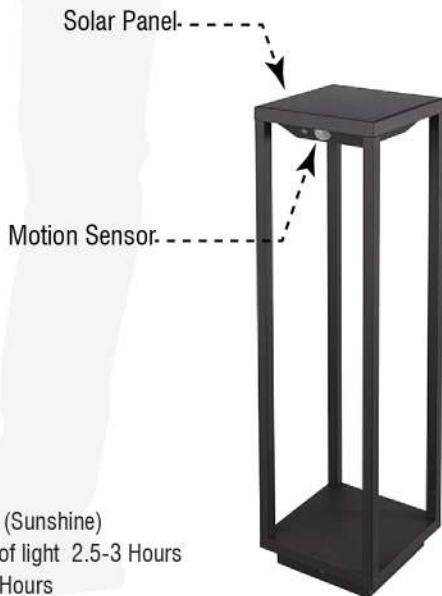
DIE-CAST
ALUMINIUM
MATERIAL

ANTHRACITE
COLOR

Monocrystal
SOLAR TYPE

SOLAR LAMP

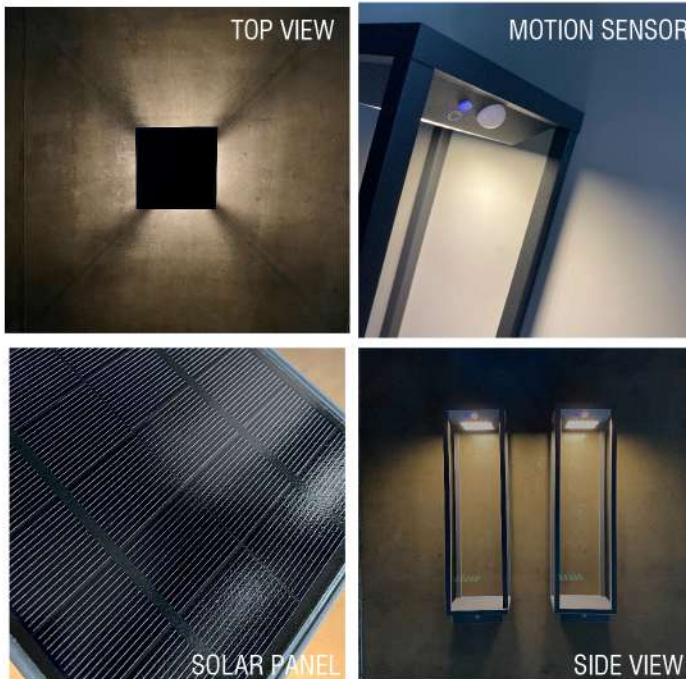
CE



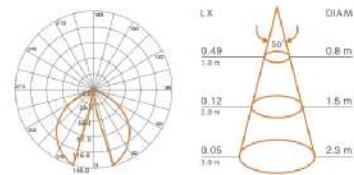
Charge : 6-8 Hours (Sunshine)
Work Time : 100% of light 2.5-3 Hours
15% of light 20-25 Hours

SPECIFICATION

Model	: ARA MAXI SOLAR
Item No.	: 2170103
Light source	: LED SMD
Solar Panel	: 2W
Light Source	: 2.2 W
Lumen	: 231 lm
CCT	: 3000K
Beam Angle	: 50°
Battery	: 2V 2Ah lithium battery
Charging Time	: 6-8 Hours
Material	: Diecasting Aluminium
Color	: Anthracite
Paint method	: Outdoor UV Spray Powder
Optical cover	: Safety glass lens
Adjustable	: -
IP	: 65
Dimension	: 140×140×500 mm.
Other	: Work time 100% of light: 2.5~3H, 15% of light: 20~25H (Motion Sensor)



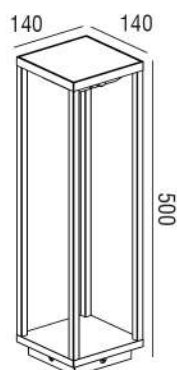
PHOTOMETRIC DATA



SOLAR PANEL

TYPE	MONOCRYSTALLINE SILICON SOLAR CELLS
MATERIAL	SILICON
POWER EFFICIENCY	17%- 20%
LIFETIME	25year+

Dimension (mm.)



ACCESSORY



+ Installation Manual

UNIT PRICE : 4,700.-

LC-WD-C278-SOLAR-H1000

SOLAR BOLLARD LIGHT

8W
LED POWER

IP65

ALUMINUM
MATERIAL

MATT
BLACK
COLOR

MONOCRYSTAL
SOLAR TYPE

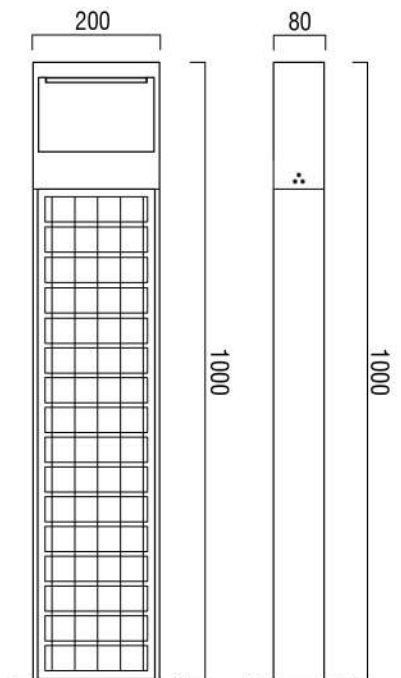
SOLAR LAMP



SPECIFICATION

Model	: LC-WD-C278-SOLAR-H1000
Light source	: LED
Solar Panel	: Pmax 25W×2 Monocrystalline
LED Power	: 8W
Input voltage	: 9~24V
Lumen	: 150lm/W
CCT	: 3000K
Beam Angle	: 120°
Battery	: 12.8V 8Ah LiFePo4
Runtime	: Light on 100% (no dimming) for 12 hours no remote control, no sensor
Charging Time	: 8-10 Hours
Working Time	: 12 Hours
Discharging Time	: 3-4 Days
Material	: Aluminum
Color	: Matte Black (V322401S)
Paint method	: Outdoor UV Powder
Diffuser	: Tempered glass
Adjustable	: -
IP	: 65
Dimension (WxLxH)	: 80×200×H1000 mm.

DIMENSION (Unit mm.)



UNIT PRICE : xxxx

LC-WD-ABL-03

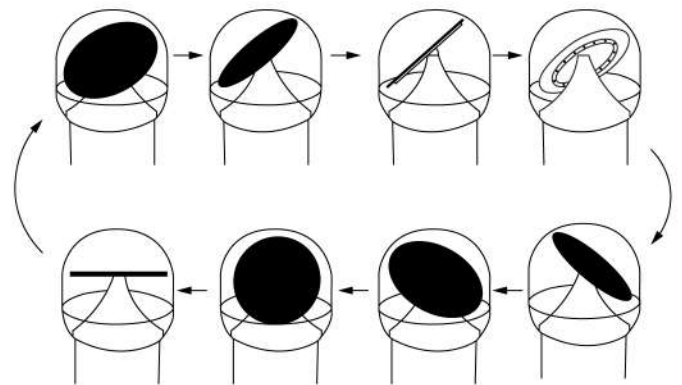
SOLAR BOLLARD LIGHT

LED LAMP	2.8W SOLAR PANEL	IP66	ALUMINUM MATERIAL	GREY COLOR	MONOCRYSTAL SOLAR TYPE	SOLAR LAMP
--------------------	----------------------------	-------------	----------------------	---------------	---------------------------	------------



360° Sunlight Auto-Tracking

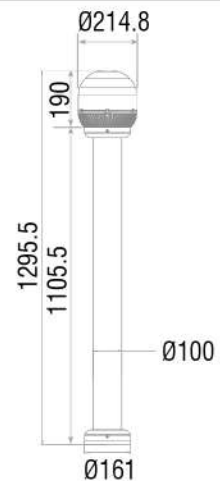
Tracker use the latest technology to calculate the sun's maximum energy in real-time to track the position of sunlight and realizes the effect of 360° sun tracking, and obtain the maximum sun power and increase the charging efficiency by 30% compared with other similar products.



SPECIFICATION

Model	: LC-WD-ABL-03
Light source	: LED Osram 3030
Solar Panel	: 4.3V/2.8W (Monocrystalline)
LED Power	: 3W
Lumen	: 300lm
CCT	: 3000K
Beam Angle	: 180°
Battery	: 5AH×2, 3.7V, 37WH, Li-Ion
Default Lighting Mode	: 100%5H+30% till dawn (Red ●) M2: 70% till dawn (Green ●) M3: 30% till dawn (Orange ●)
Charging Time	: 8-10 Hours
Working Time	: 12 Hours
Discharging Time	: 3-4 Days
Material	: Aluminum
Color	: Grey
Paint method	: Outdoor UV Spray Powder Anti-corrosion
Diffuser	: PC
Adjustable	: -
IP/IK	: IP66 / IK10
Dimension Head (ØxH)	: Ø214.8×H190 mm.
Total height	: H1295.5 mm.
Base	: Ø161 mm.

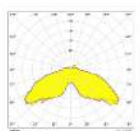
DIMENSION (Unit mm.)



SIMULATED DIAGRAM



PHOTOMETRIC DATA



UNIT PRICE : XXXX

SWING SOLAR

SOLAR ON GROUND

LED
LAMP

2W
SOLAR PANEL

IP65

DIE-CAST
ALUMINIUM
MATERIAL

ANTHRACITE
COLOR

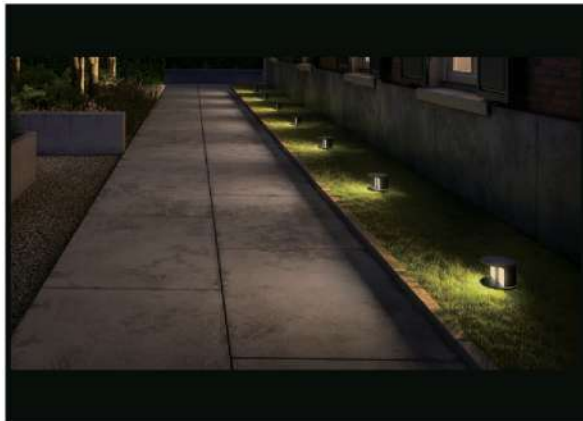
Monocrystal
SOLAR TYPE

SOLAR LAMP

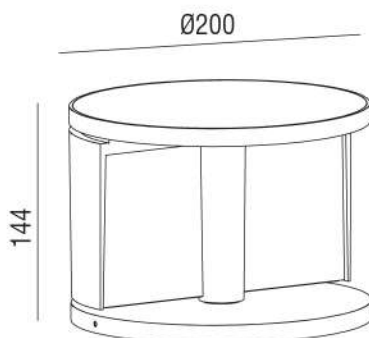
CE

SPECIFICATION

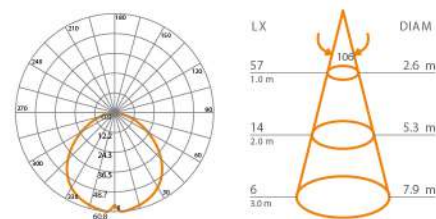
Model	: SWING SOLAR
Item No.	: H6131
Light source	: LED
Solar Panel	: 2W
LED Power	: 2.5W
Lumen	: 250 lm
CCT	: 3000K
Beam Angle	: 106°
Battery	: 3×1.8Ah lithium battery
Charging Time	: 7 Hours
Material	: Die-cast aluminium
Color	: Anthracite
Paint method	: Outdoor UV Spray Powder
Optical cover	: Opal PC
Adjustable	: -
IP	: 65
Dimension (ØxH)	: Ø200×144mm.
Sensor	: Automatically light up at night (≤50lux) work time: 11H



DIMENSION (Unit mm.)



PHOTOMETRIC DATA



SOLAR PANEL

TYPE	MONOCRYSTALLINE SILICON SOLAR CELLS
MATERIAL	SILICON
POWER EFFICIENCY	17%- 20%
LIFETIME	25year+

ACCESSORY



Hex Wrench



Nuts



Screw



Plastic Plug

UNIT PRICE : XXXX

LC-WD-T135 SOLAR PANEL-DUAL MODE

SOLAR STREET LIGHT

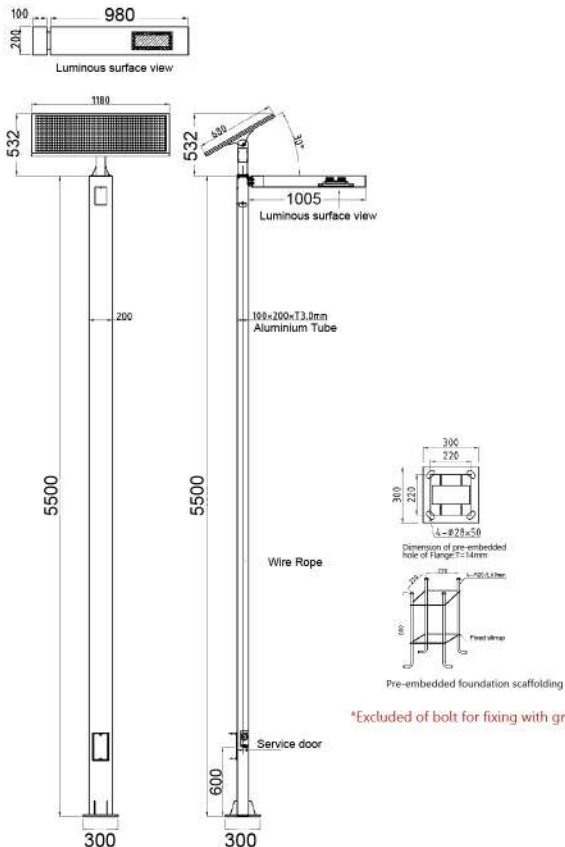


SPECIFICATION

- Model** : LC-WD-T135 SOLAR PANEL-DUAL MODE
- Color** : Matt Anthracite (V322401S)
- Size** : W200 x L1100 x H5500 mm.
Lamp Pole 100 x 200 mm.
- Light Source** : lumileds (Phillips)
- LED Power** : 30W
- Led Efficiency** : 120 lm/w 3600lm
- CCT** : 4000K
- Solar Panel** : Dual Mode ; Polysilicon solar Panel 18V 120W, size 1180 x 680 x 30mm
- Battery** : 8V 48Ah lithium battery (32650)
- Working Time** : SDH-60W 12V waterproof utility complementary constant current all in one machine
It lasts for 3-5 cloudy and rainy days, lighting for 8-10 hours every day, and lighting in three time periods, the first period of 4 hours is 100%, the middle period of 3 hours is 70%, and the last period of 3 hours is 50%

- Input Voltage** : AC220V-50Hz
- Material** : Good quality aluminum lamp head T3. 0mm. Q235 hot-dip galvanized steel tube lamp pole T3. 0mm. Optical lens diffuse. The exposed fastening screws, nuts is 304 stainless steel.
- Craftwork** : Outdoor Spray powder, Anti-rotten/acid. alkali. thickness 80um, fastening screws, nuts of stainless steel (exposed).
- IP** : 65

DIMENSION (Unit of mm.)



SOLAR PANEL

TYPE	POLYCRYSTALLINE SILICON SOLAR CELLS
MATERIAL	(polycrystalline, p-Si)
POWER EFFICIENCY	15%-19%
LIFETIME	20 year

UNIT PRICE : XXXX

LC-WD-T135 SOLAR PANEL-SOLAR LUMINAIRE 100%

SOLAR STREET LIGHT

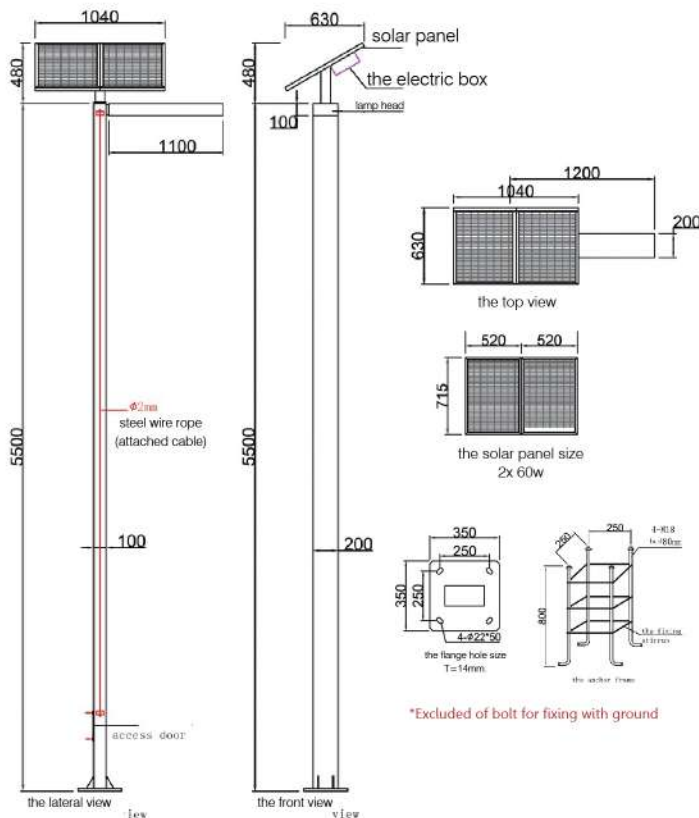


SOLAR LUMINAIRE 100%

SPECIFICATION

- Model** : LC-WD-T135 SOLAR PANEL-SOLAR LUMINAIRE 100%
- Color** : Matt Anthracite (V322401S)
- Size** : W200 x L1100 x H5500 mm.
Lamp pole 100 x 200 mm.
- Light Source** : lumileds (Phillips)
- LED Power** : 30W
- Led Efficiency** : 120 lm/w 3600lm
- CCT** : 4000K
- Solar Panel** : 18V 120W polysilicon solar panel,
Size 1180 x 680 x 30mm.
- Battery** : 8V 48Ah lithium battery (32650)
- Working Time** : SDH-30W light control + time control
low voltage constant current integrated controller 15A
It lasts for 3-5 cloudy and rainy days,
lighting for 8-10 hours every day,
and lighting in three time periods,
the first period of 4 hours is 100%,
the middle period of 3 hours is 70%,
and the last period of 3 hours is 50%

DIMENSION (Unit of mm.)



- Material** : Good quality aluminum lamp head T3.0mm. Q235 hot-dip galvanized steel tube lamp pole T3.0mm. Optical lens diffuse. The exposed fastening screws, nuts is 304 stainless steel.
- Craftwork** : Outdoor UV Spray Powder
Anti-rotten/acid. alkal i. thickness 80um, fastening screws, nuts of stainless steel (exposed).
- IP** : 65
- Fix The Wire** : Stainless steel

SOLAR PANEL

TYPE	POLYCRYSTALLINE SILICON SOLAR CELLS
MATERIAL	(polycrystalline, p-Si)
POWER EFFICIENCY	15%-19%
LIFETIME	20 year

UNIT PRICE : XXXX

LC-WD-T135 SOLAR PLUS+

SOLAR STREET LIGHT

EPISTAR
LED

15w + 50w
(solar) (electric)
LED POWER

IP65

SOLAR PANEL
2x15W

ALUMINIUM
MATERIAL

MATT
ANTHRACITE
COLOR

POLYCRY
STALLINE
SOLAR TYPE

SOLAR LAMP

WORK TIME
8Hrs

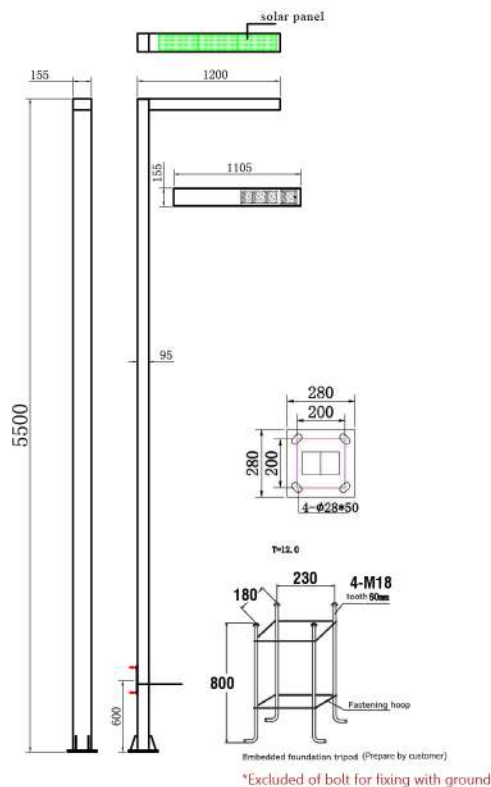
DUAL SYSTEM
(Solar + Electricity)



SPECIFICATION

Model	: LC-WD-T135 SOLAR PLUS+
Color	: Matt Anthracite (V322401S)
Size	: W155 x L1200 x H5500 mm.
Light Source	: 15W LED Module Epistar (Solar Power) 50W LED Module Epistar LED (Electric Power)
LED Efficiency	: -
CCT	: 4000K
Solar Panel	: Polycrystalline Silicon 6v 15Wx2
Battery	: 12V 20Ah lithium battery
Working Time	: Full charge in 5 hours. 3-4 rainy days, 8 hrs/day working time, divided into three periods, 3hrs 100% 3hrs 75% 2hrs 50%
Input Voltage	: AC220V-50Hz
Material	: Good quality aluminum. The diffuse glass is tempered clear glass. The exposed fastening screws, nuts is 304 stainless steel.
Craftwork	: Outdoor UV Spray Powder Anti-rotten/acid. alkali thickness 80um, fastening screws, nuts of stainless steel (exposed).
IP	: 65
Dimension	: 1200 x 155 x 5500 mm.
Total Height	: 3500 mm.

DIMENSION (Unit of mm.)



SOLAR PANEL

TYPE	POLYCRYSTALLINE SILICON SOLAR CELLS
MATERIAL	(polycrystalline, p-Si)
POWER EFFICIENCY	15%-19%
LIFETIME	20 year

UNIT PRICE : XXXX

LC-WD-T135 SOLAR

SOLAR STREET LIGHT



EPISTAR
LED

15w
LED POWER

IP65

SOLAR PANEL
2×15W

ALUMINIUM
MATERIAL

MATT
ANTHRACITE
COLOR

POLYCRYSTAL
SOLAR TYPE

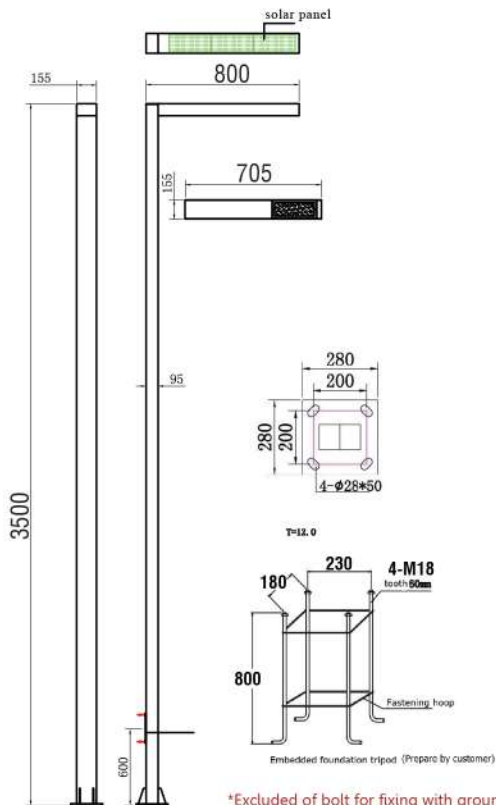
SOLAR LAMP

WORK TIME
8Hrs

SPECIFICATION

Color	: Matt Anthracite (V322014S)
Size	: W155 x L800 x H3500 mm.
Light Source	: LED Module Epistar
LED Power	: 15W
Solar Panel	: 6V 15W×2
Battery	: 3.2V 40AH Lithium battery (including booster controller)
Charge Time	: 5 hours/day. It takes 10 hours to charge when there is no power at all.
Lighting Pe	: 100% 2 hrs, 70% 2 hrs, 50% 4 hrs, 3-5 rainy days
Beam Angle	: 120°
Input Voltage	: 9~24V
CCT	: 4000K
Material	: Good quality aluminum. The diffuse glass is tempered clear glass. The exposed fastening screws, nuts is 304 stainless steel.
Craftwork	: Outdoor UV Spray Powder Anti-rotten/acid.alkali.thickness,80um. fastening screws, nuts of stainless steel (exposed).
IP	: 65
Dimension	: 800 × 155 × 3500 mm.
Total Height	: 3500 mm.

DIMENSION (Unit of mm.)



*Excluded of bolt for fixing with ground

UNIT PRICE : XXXX

SOLAR PANEL

TYPE	POLYCRYSTALLINE SILICON SOLAR CELLS
MATERIAL	(polycrystalline, p-Si)
POWER EFFICIENCY	15%-19%
LIFETIME	20 year

LC-WD-T135-SOLAR-H3500

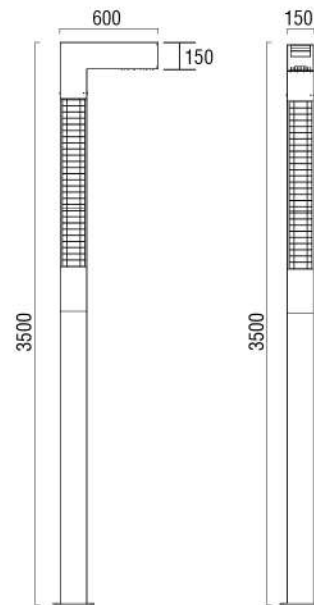
SOLAR GARDEN LIGHT



SPECIFICATION

Model	: LC-WD-T135-SOLAR-H3500
Light source	: LED
Solar Panel	: Pmax 22.5W, 4 × (Monocrystalline)
LED Power	: 20W
Input voltage	: 9~24V
Lumen	: 150lm/W
CCT	: 3000K
Beam Angle	: 120°
Battery	: 3.2V 100Ah LiFePo4
Runtime	: Light on 100% (no dimming) for 12 hours no remote control, no sensor
Charging Time	: 8-10 Hours
Working Time	: 12 Hours
Discharging Time	: 3-4 Days
Material	: Ploe Aluminum
Color	: Matte Black (V322401S)
Paint method	: Outdoor UV Powder
Diffuser	: Tempered glass
Adjustable	: -
IP	: 65
Dimension	: Pole W150×L150×H3500mm. Head 150×150×600 mm.

DIMENSION (Unit mm.)



*Excluded of bolt for fixing with ground

UNIT PRICE : XXXX

LC-WD-GGD2403

SOLAR GARDEN LIGHT

LED SMD

12W
LED POWER

20W
SOLAR PANEL

IP65

ALUMINIUM MATERIAL

MATT BLACK COLOR

Monocrystal SOLAR TYPE

SOLAR LAMP

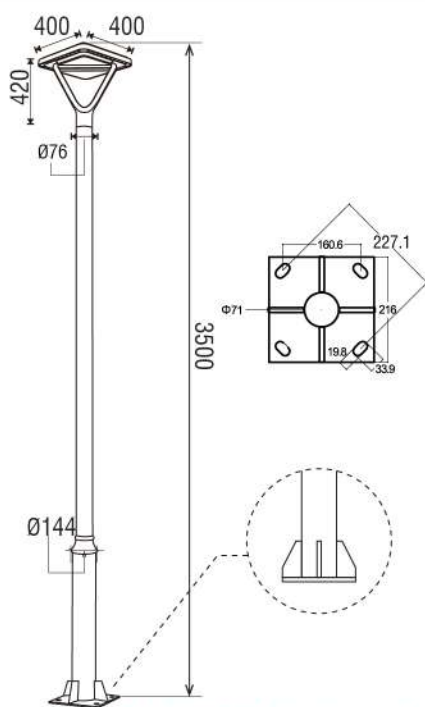


SOLAR PANEL	
TYPE	MONOCRYSTALLINE SILICON SOLAR CELLS
MATERIAL	SILICON
POWER EFFICIENCY	17%- 20%
LIFETIME	25year+

SPECIFICATION

Model	: LC-WD-GGD2403
Light source	: LED SMD 2835
Solar Panel	: 20W 5V Monocrystalline Solar
LED Power	: 12W
Lumen	: 1800lm
CCT	: 3000K
Beam Angle	: 140°
Battery	: 3.2V 20AH LiFeP04 Lithium Battery
Charging Time	: 3-5 Hours
Working Time	: 12 Hours
Discharging Time	: 3-4 Days
Material	: - Die casting aluminum+PC - galvanized pole.
Color	: Matt Black
Paint method	: Outdoor UV Spray Powder
Optical cover	: PMMA
Adjustable	: -
IP	: 65
Dimension (mm.)	: Lamp Head 400×400 × H420 mm.
Total Height	: 3500 mm.

DIMENSION (Unit mm.)



UNIT PRICE : 14,000.-

LC-WD-LILY SOLAR

SOLAR GARDEN LIGHT

LED
LAMP

25W
SOLAR PANEL

IP65

DIE-CAST
ALUMINIUM
MATERIAL

MATT BLACK
COLOR

Monocrystal
SOLAR TYPE

SOLAR LAMP



Solar Panel
25W

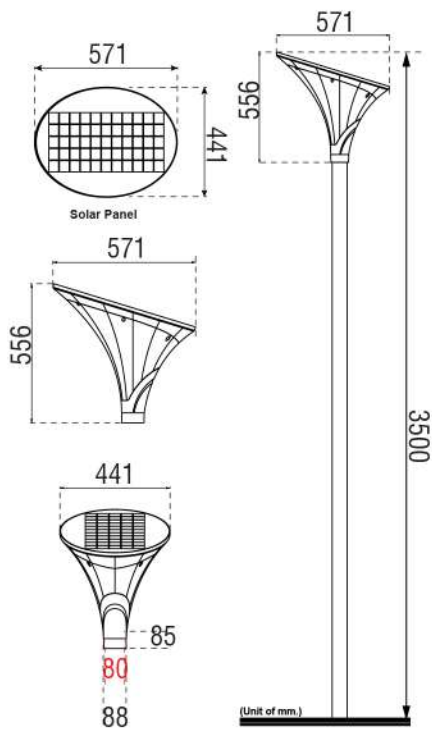


SOLAR PANEL	
TYPE	MONOCRYSTALLINE SILICON SOLAR CELLS
MATERIAL	SILICON
POWER EFFICIENCY	17%- 20%
LIFETIME	25year+

SPECIFICATION

- Model** : LC-WD-LILY SOLAR
- Light source** : LED SMD 2835
- Solar Panel** : 25W 5V Monocrystalline Solar
- LED Power** : 12W
- Lumen** : 1320lm~1440lm
- CCT** : 3000K
- Beam Angle** : N/A
- Battery** : 3.2V 30Ah lithium battery
- Charging Time** : 3-5 Hours
- Discharging Time** : 3~4 days
- Material** : Die-casting aluminum galvanized pole.
- Color** : Matt Black
- Paint method** : Outdoor UV Spray Powder
- Optical cover** : PMMA
- IP** : 65
- Dimension** : Lamp Head 571×441×H556mm.
- Total Height** : 3500 mm.

DIMENSION (Unit mm.)



*Excluded of bolt for fixing with ground



UNIT PRICE : XXXX

LC-WD-5X-DC-ZT

SOLAR GARDEN LIGHT

LED
LAMP

8W
LED POWER

22W
SOLAR PANEL

IP65

DIE-CAST ALUMINIUM MATERIAL

BLACK COLOR

Monocrystal SOLAR TYPE

SOLAR LAMP

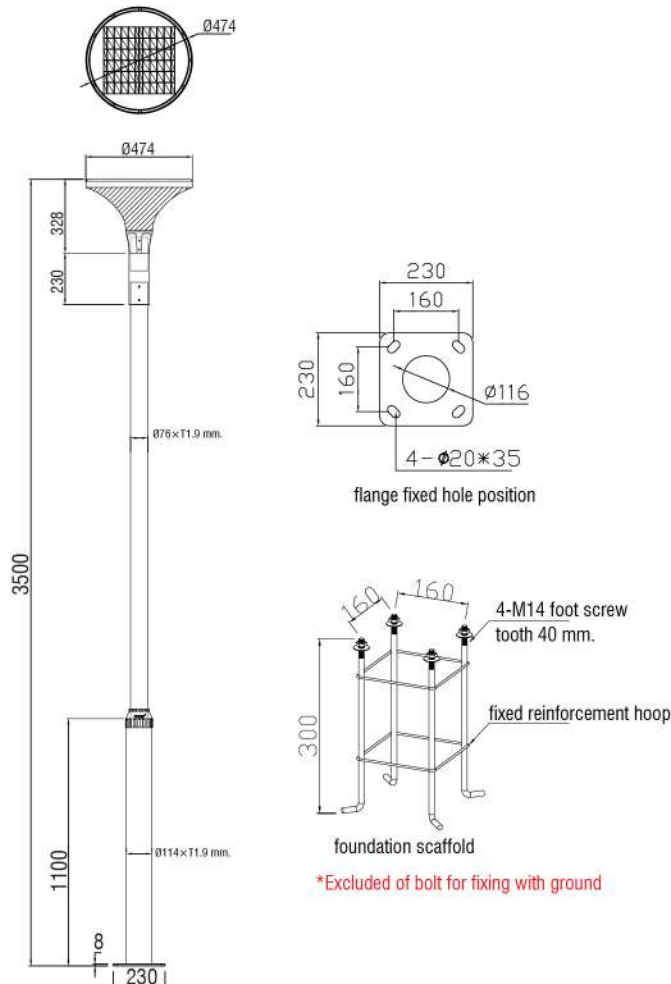


SOLAR PANEL	
TYPE	MONOCRYSTALLINE SILICON SOLAR CELLS
MATERIAL	SILICON
POWER EFFICIENCY	17%- 20%
LIFETIME	25year+

SPECIFICATION

Model	: LC-WD-5X-DC-ZT
Light source	: LED
Solar Panel	: 22W 5V Monocrystalline Solar
LED Power	: 8W
Lumen	: 960 lm
CCT	: 3000K
Beam Angle	: 140°
Battery	: 3.2V 15Ah lithium battery
Charging Time	: 3-5 Hours
Working Time	: 8 Hours
Discharging Time	: 3-4 Days
Material	: (Lamp) Die Casting Aluminum+Frosty PMMA (Pole) Galvanized steel
Color	: Black
Paint method	: Outdoor UV Spray Powder
Diffuser	: PMMA Frosted Acrylic
Adjustable	: -
IP	: 65
Dimension	: Lamp head $\varnothing 474 \times H328$ mm.
Total Height	: Total H : 3500 mm.

DIMENSION (Unit mm.)



UNIT PRICE : XXXX

LC-ZC-TYD-5108-F Pole-3m.

SOLAR GARDEN LIGHT

LED SMD

15W
LED POWER

25W
SOLAR PANEL

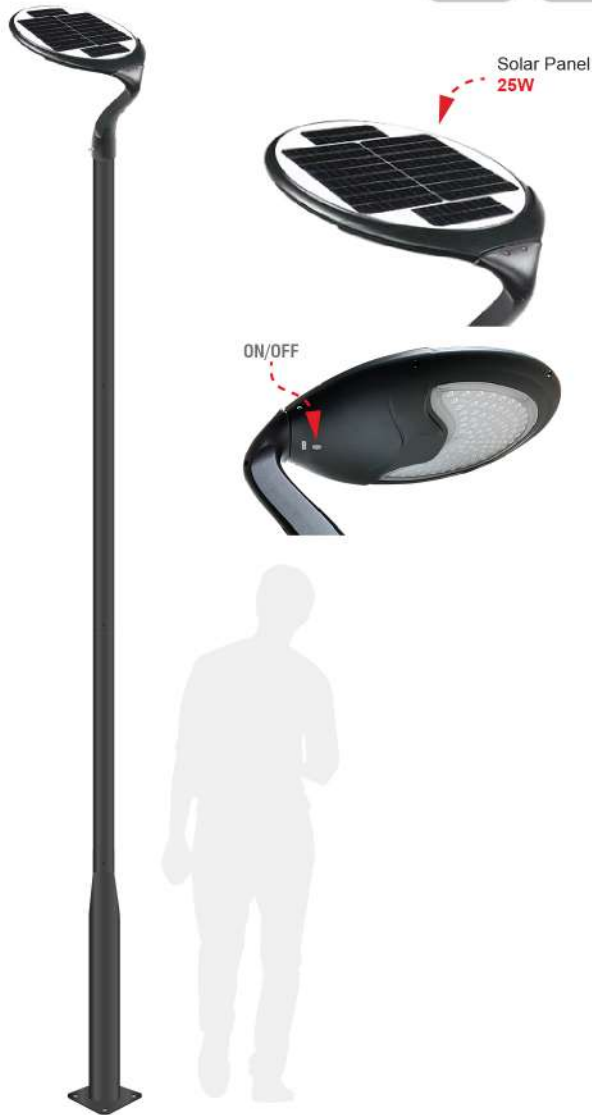
IP65

DIE CASTING ALUMINUM MATERIAL

SAND BLACK COLOR

Monocrystal SOLAR TYPE

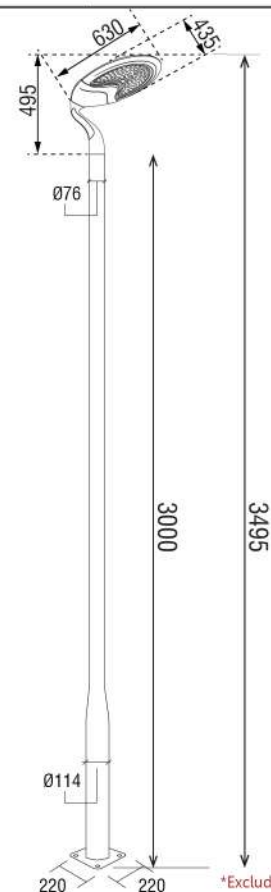
SOLAR LAMP



SPECIFICATION

Model	: LC-ZC-TYD-5108-F Pole-3m.
Light source	: 100pcs. LED SMD 2835
Solar Panel	: 25W 5V Monocrystalline Solar
LED Power	: 15W
Lumen	: 2300 lm
CCT	: 4000K
Beam Angle	: 70°×140°
Battery	: 3.2V 36AH lithium battery
Charging Time	: 3-5 Hours
Working Time	: 12 Hours
Discharging Time	: 3-4 Days
Material	: Lamp : Die casting Aluminum Pole : Q235 Galvanized pipe
Color	: Sand Black
Paint method	: Outdoor UV Spray Powder
Diffuser	: PC optical lens
Adjustable	: -
IP	: 65
Dimension	: Pole : H3000 mm. Lamp Head : 630×435×H495 mm. Total H : 3495 mm.

DIMENSION (Unit mm.)



SOLAR PANEL	
TYPE	MONOCRYSTALLINE SILICON SOLAR CELLS
MATERIAL	SILICON
POWER EFFICIENCY	17%- 20%
LIFETIME	25year+



UNIT PRICE : 15,000.-

*Excluded of bolt for fixing with ground

LC-AOK-SC30

SOLAR GARDEN LIGHT

Integral Monocrystalline Silicon Solar Panel



12V
35W
Solar Panel

230.4Wh
Li-Ion Battery

Lifespan Cycle ≥ 2000 Times
Intelligent Temperature Control

Maximum Autonomy
Operate 2-3 rainy days
under intelligent model.



LED model 5050



LED
LAMP

35W
SOLAR PANEL

IP65

ALUMINIUM
MATERIAL

BLACK
COLOR

Monocrystal
SOLAR TYPE



Conversion Rate
up to 21%



25 Years
Lifespan

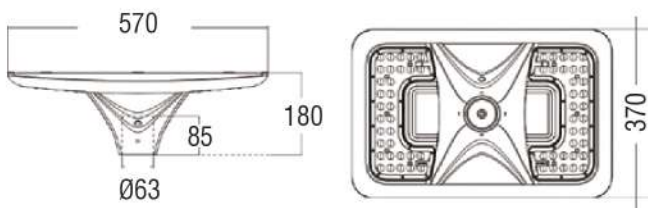


SOLAR
LUMINAIRE
100%

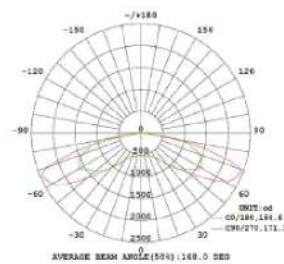
SPECIFICATION

Model	: LC-AOK-SC30
Light source	: 5050 LED chips
Solar Panel	: 35W 12V Monocrystalline Solar
LED Power	: 15W
Lumen	: 2300 lm
CCT	: 4000K
Beam Angle	: N/A
Battery	: 3.2V 36Ah lithium battery
Charging Time	: 3-5 Hours
Material	: Die-casting aluminum galvanized pole.
Color	: Black
Paint method	: Outdoor UV Spray Powder
Optical cover	: Optical lens
Adjustable	: -
IP	: 65
Dimension	: Lamp Head 570 × 370 × H180 mm.

DIMENSION (Unit mm.)



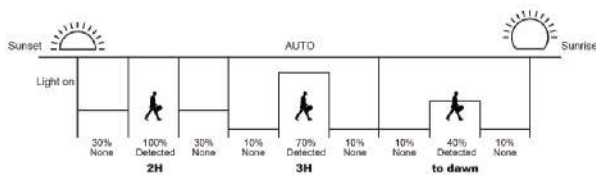
PHOTOMETRIC DATA



SOLAR PANEL

TYPE	MONOCRYSTALLINE SILICON SOLAR CELLS
MATERIAL	SILICON
POWER EFFICIENCY	17%- 20%
LIFETIME	25year+

AUTONOMY CONTROL REFERENCE



UNIT PRICE : 30,000.-

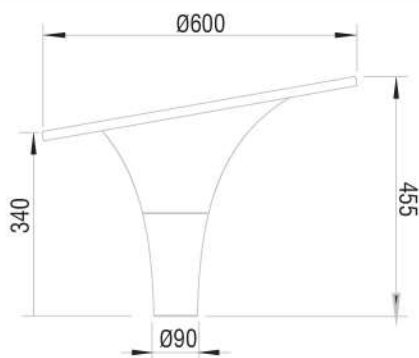


LC-ATHENA AI-GL600R

SOLAR GARDEN LIGHT



DIMENSION (Unit mm.)



SPECIFICATION

Material	: Die-casting aluminum+polycarbonate
Color	: Black
Lamp size	: Ø600 x H455 mm.
LED source	: 128pcs smd3030
LED power	: 18W max
Liminous flux	: >2,800lm
CCT	: 3000K-6000K
CRI	: >83
Default light program	: 4H 100%+4H 50%+5H 30%
Motion sensor mode	: 30%+100% triggered sensor
Sensor type	: Microwave sensor
Battery	: 12.8V 12Ah lithium battery
Battery lifetime	: >3000 cycles D.O.D : 70%
Charge controller	: MPPT 97%
Solar Panel	: 42W 18V monocrystalline
Brightness level	: 20%, 40%, 60%, 80%, 100%
Working time options	: 4Hours / 6Hours / 12Hours
Working Temp.	: -20°C~70°C
Remote control	: PIR
IP	: 65
Pole diameter to install	: Ø90mm.
Net weight	: 11.5Kg
Gross weight	: 12.80Kg
Warranty	: 3 Years

Performance

CHANGE COLOR

The color is switchable between daylight 6000K (or cool white 4000K) and warm white 3000K. Easy to set by remote as required. Winter with warm white and Summer time with cool white. Creating a comfortable atmosphere freely.

CHANGE POWER

The power is changeable as 20%, 40%, 60%, 80%, and 100% to adjustable according to the local solar radiation to save energy, guaranteeing the lighting service is always there even in very challenging conditions.

CHANGE MODE

The default setting is continuous lighting with fixed brightness, also motion sensor function is available. The luminaire works with 30% power normally and works with 100% power when the motion sensor is triggered at people come by. Saving more power with longer battery backup.

CHANGE TIME

Different lighting time durations are available as 4 hours, 6 hours, and 12 hours optional to meet different requirements. This helps to save more energy and extend the lifetime of light as well as more days backup.

UNIT PRICE : XXXX

LC-ARTEMIS

SOLAR GARDEN LIGHT

LED
LAMP

60W
LED POWER

280W
SOLAR MAX POWER

IP65

ALUMINIUM
MATERIAL

BLACK
COLOR

Monocrystal
SOLAR TYPE

SOLAR LAMP



SOLAR PANEL

TYPE	MONOCRYSTALLINE SILICON SOLAR CELLS
MATERIAL	SILICON
POWER EFFICIENCY	17%- 20%
LIFETIME	25year+

SPECIFICATION

LUMINAIRE

LED Type & Power	: 60Watts
Luminous Flux	: >8,800lm
CCT	: 3000K
Beam Angle	: 120°

SOLAR WRAP PV

Max Power	: 280W
Output Voltage	: 18V
Dimension	: 228×220×1560mm.
Module Quantity	: 2 units

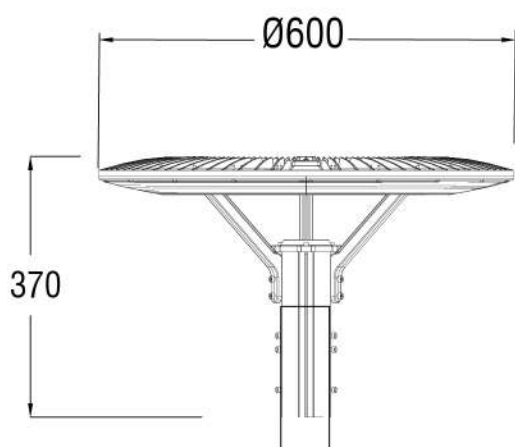
BATTERY PACK

Rated Capacity	: 12.8V 48Ah
Battery Cell	: 32700 6AH 32pcs
Battery Lifetime	: >4000cycles @ D.O.D 50%
Working Temp.	: -25°C ~ +65°C

MPPT CHARGE CONTROLLER

Max. load	: <60 Watts
Max SolarWrap PV	: 240 Watt 18V
Programmable	: yes
IP	: 65

DIMENSION (Unit mm.)



UNIT PRICE : XXXX

LC-Q140

SOLAR WRAP

IP65

ALUMINIUM MATERIAL

140W /module

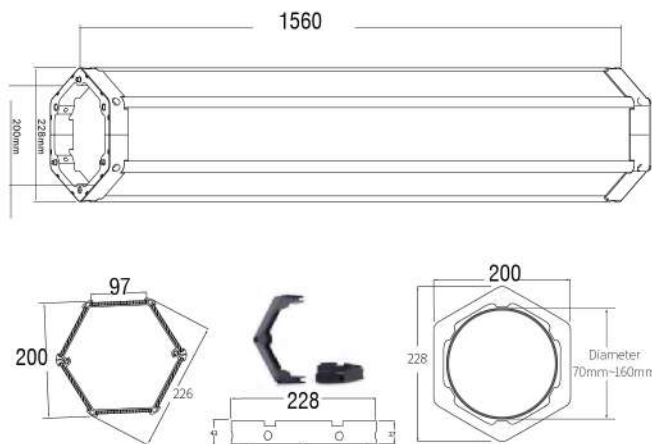
Monocrystal SOLAR TYPE



SOLAR PANEL

TYPE	MONOCRYSTALLINE SILICON SOLAR CELLS
MATERIAL	SILICON
POWER EFFICIENCY	17%- 20%
LIFETIME	25year+

DIMENSION (Unit mm.)



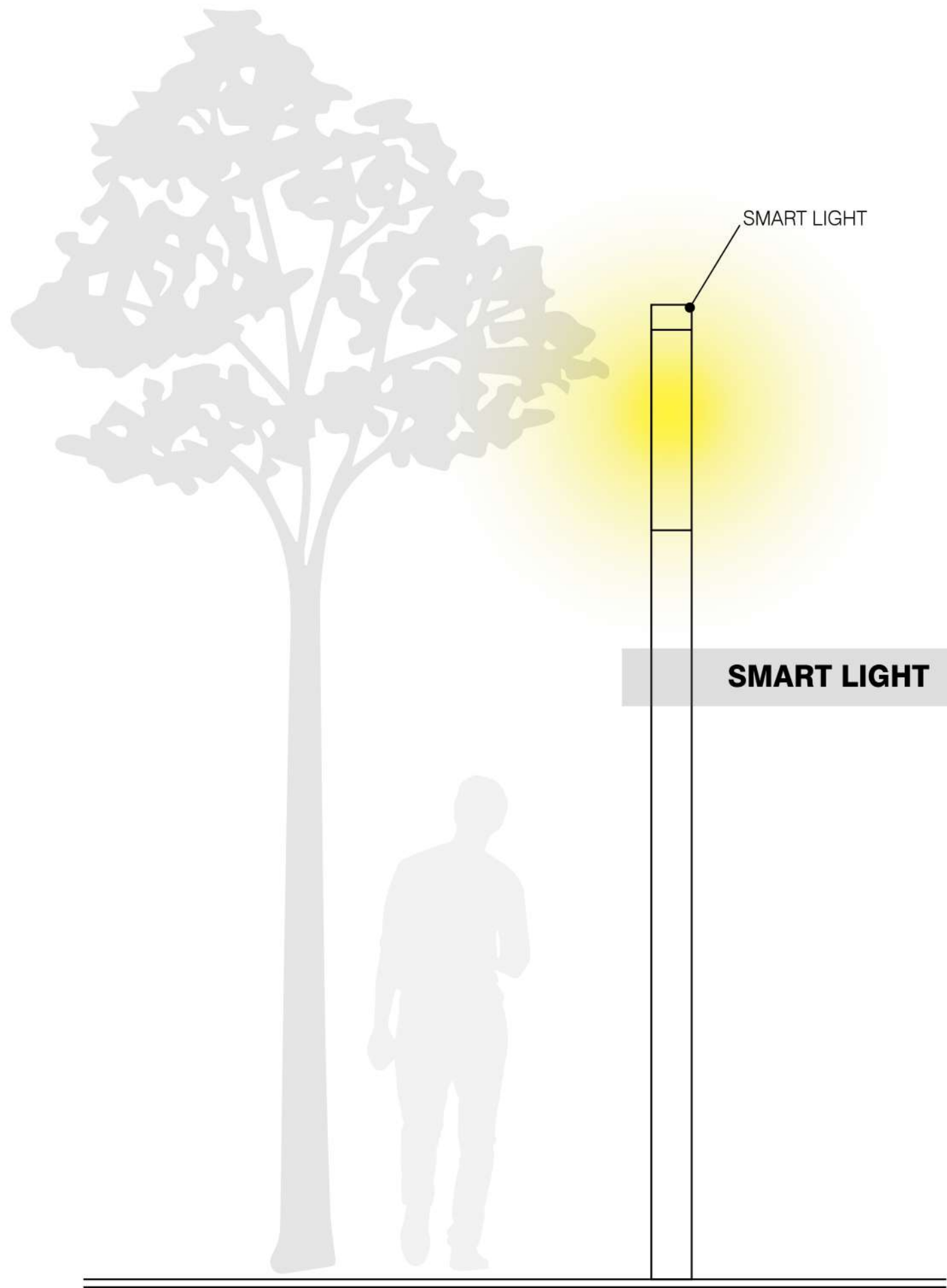
SPECIFICATION

Dimension	: 228×200×1560 mm.
Pmax	: 140W
Vmp & Imp	: 18V 7.78A
Cell type	: MONO made in Taiwan
Solar cell efficiency	: 21.50%
Cable & Connector	: Universal MC4 with 0.6 meter 2.5mm
Structure material	: Aluminum alloy with powder coated >20 years lifetime
Operating temp.	: -20°C ~ +70°C
PV Lifetime	: >20 years
N.W / G.W	: 20.70kg / 22.80kg
Max pole diameter	: 155 mm.
Warranty	: 5 years
Fixture materials	: Aluminium+ Glass
Powers max	: 140W
Type of solar panel	: rigid solar panel
Solar panel cell	: Monocrystalline
Conversion efficiency	: 21.2%
Qty of slim solar module	: 6 pcs/module
Connectors type	: MC4
Connection cable	: 0.5 meters 2.5mm ²
Connection cables	: 2 pairs of MC4
Linkable & Disassemble	: Yes
Max diameter of pole to suit	: 155 mm.
Wind resistance level	: Class 13 37.0~41.4m/s
IP	: 65



Silicon Solar Panel

UNIT PRICE : XXXX

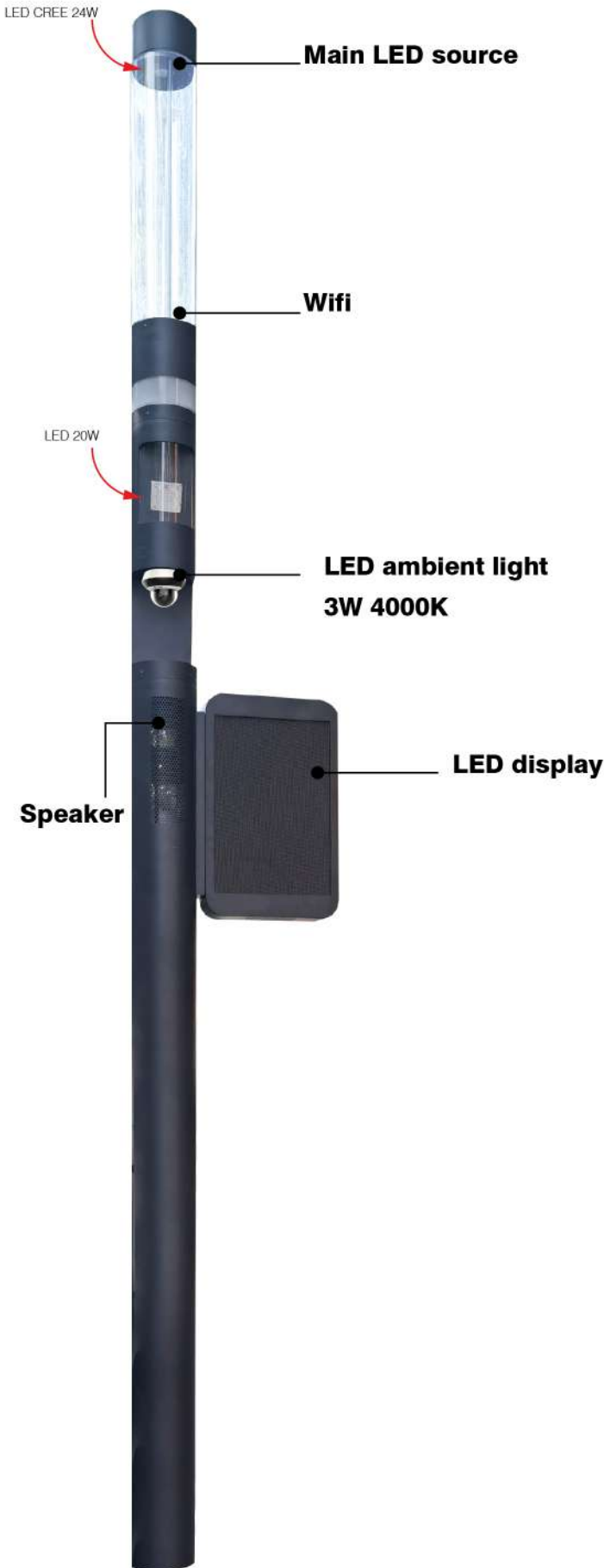


SMART LIGHT

SMART LIGHT

LC-WD-ZH-002 MAX AI

SMART LIGHT



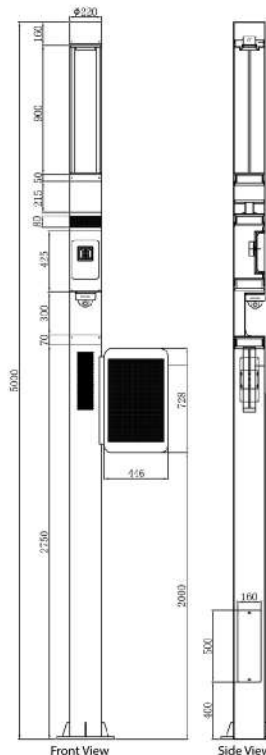
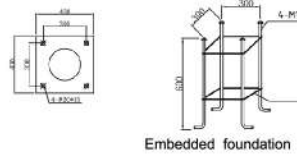
CREE CHIP LED	24 WATT	IP65	ALUMINIUM MATERIAL	MW MEAN WELL DRIVER	MATT ANTHRACITE COLOR
-------------------------	-------------------	-------------	-----------------------	----------------------------------	-----------------------------

Smart light
MAX AI

SPECIFICATION

Model	: LC-WD-ZH-002 MAX AI
Light source	: - LED CREE 24W 360 degree lighting - Spot light 20W 180 degree lighting
Ai Funtion	: -Monitor camera -Speaker -Wifi -LED display -environmental quality monitoring module
Power	: 24W
Lumen	: 2400 lm
Lumen/Watt	: 100 lm/W
CCT	: 4000K
CRI	: > 80
Beam Angle	: 360°
Material	: Aluminium
Color	: Matt Anthracite (V322401S)
Paint method	: Outdoor UV Spray Powder
Diffuser	: Polycarbonate
Adjustable	: No
IP	: 65
Driver Type	: Internal Driver
Surge Protection	: 6kV
Power Voltage	: AC220V-50Hz
Power factor	: > 0.96
Dimension (ØxH)	: Ø220×H5000mm.
Total Height	: 5000 mm.

DIMENSION (Unit mm.)



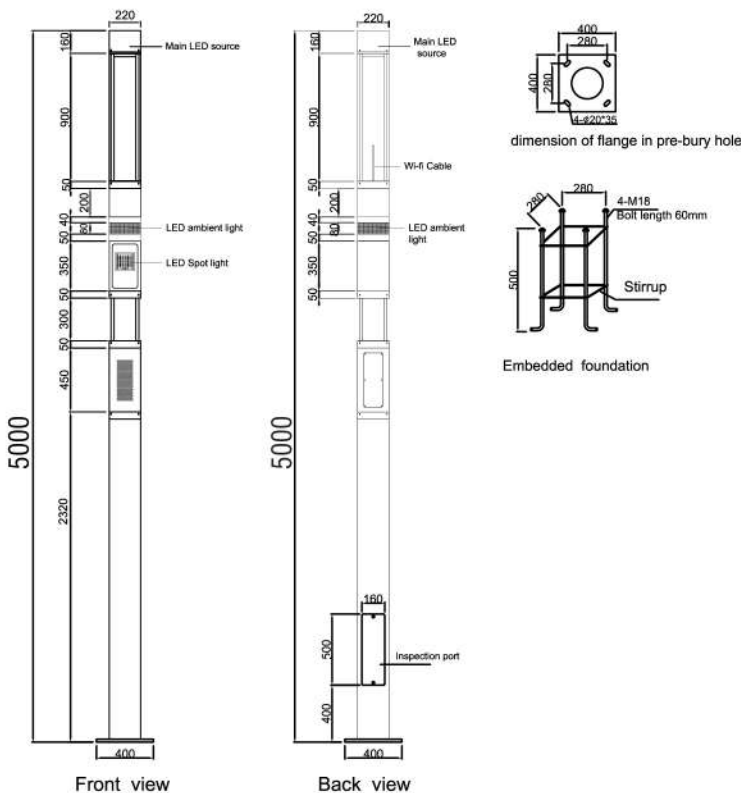
*Excluded of bolt for fixing with ground

LC-WD-T373 MAX

SMART LIGHT



DIMENSION (Unit mm.)



*Excluded of bolt for fixing with ground

UNIT PRICE : xx,xxx.-



Smart light
MAX

SPECIFICATION

Model	: LC-WD-T373 MAX
Light source	: LED CREE 24W/360° lighting/ 180° lighting reflector/Lighting ring
AI Function	: 1. Camera module (without camera) 2. Speaker Module (without speaker) 3. Wi-Fi module (Wi-Fi speaker) 4. Advertising module (Advertising speaker)
Power	: 24W
Lumen	: 2400 lm
Lumen/Watt	: 100 lm/W
CCT	: 4000K
CRI	: > 80
Beam Angle	: 360°
Material	: Aluminium
Color	: Matt Anthracite (V322401S)
Paint method	: Outdoor UV Spray Powder
Optical cover	: Polycarbonate
Adjustable	: No
IP	: 65
Driver Type	: Internal Driver
Surge Protection	: 6kV
Power Voltage	: AC220V-50Hz
Power factor	: > 0.96
Dimension (ØxH)	: Ø220×H5000mm.
Total Height	: 5000 mm.
Remark	: With AI equipment inside

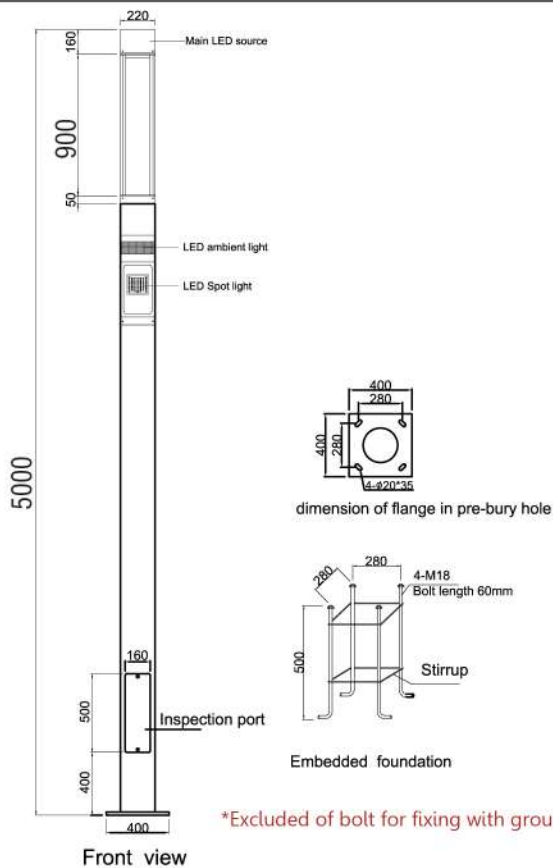
LC-WD-T373 NORMAL

SMART LIGHT



Smart light
NORMAL

DIMENSION (Unit mm.)



*Excluded of bolt for fixing with ground

SPECIFICATION

Model	: LC-WD-T373 NORMAL
Light source	: LED CREE 24W/360° lighting/ 180° lighting reflector/Lighting ring
Ai Funtion	: No
Power	: 24W
Lumen	: 2400 lm
Lumen/Watt	: 100 lm/W
CCT	: 4000K
CRI	: >80
Beam Angle	: 360°
Material	: Aluminium
Color	: Matt Anthracite (V322401S)
Paint method	: Outdoor UV Spray Powder
Optical cover	: Polycarbonate
Adjustable	: No
IP	: 65
Driver Type	: Internal Driver
Surge Protection	: 6kV
Power Voltage	: AC220V-50Hz
Power factor	: >0.96
Dimension (ØxH)	: Ø220×H5000mm.
Total Height	: 5000 mm.
Remark	: Only Lighting

UNIT PRICE : xx,xxx.-

www.southeastthailand.co.th