

# VIDO ULTRA WALL LIGHT

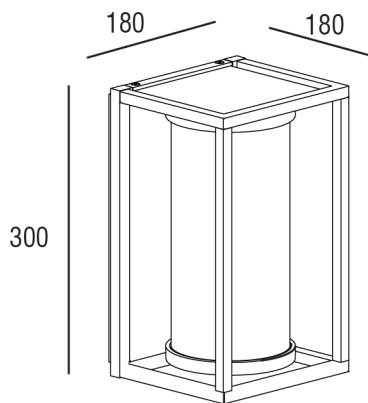
WALL LIGHT



## SPECIFICATION

|                          |                           |
|--------------------------|---------------------------|
| <b>Model</b>             | : VIDO ULTRA WALL LIGHT   |
| <b>Item No.</b>          | : H3031-AN                |
| <b>Light source</b>      | : E27 (socket IP65)       |
| <b>Power</b>             | : MAX.15 WATT (A60)       |
| <b>Material</b>          | : Die-cast Aluminium      |
| <b>Color</b>             | : Anthracite              |
| <b>Paint method</b>      | : Outdoor UV Spray Powder |
| <b>Diffuser</b>          | : Clear glass             |
| <b>Adjustable</b>        | : -                       |
| <b>IP</b>                | : 54                      |
| <b>Driver Type</b>       | : -                       |
| <b>Power Voltage</b>     | : 220V-240V~ 50Hz         |
| <b>Power factor</b>      | : -                       |
| <b>Dimension (WxLxH)</b> | : 180×180×300mm.          |

## DIMENSION (Unit mm.)



## ACCESSORY



Hex Wrench



Screw



Plastic Plug

+ Installation Manual